



## FR-2057iT/iTA/iTW

16-channel Isolated Digital Output and Isolated Communication Line Distributed I/O Module

### Features

- Built-in Wire-saving FRnet DI/DO control
- Simple synchronization mechanism
- No software overhead on protocol processing
- Supporting broadcasting (1:n data transmission)
- Duplicating output easily
- Fixed I/O scan-time and I/O synchronization
- High/Low-speed transmission reliability



### Introduction

The FR-2057iT/iTA/iTW I/O module has an FRnet interface. The users can daisy chain several FR-2057iT/iTA/iTW modules together. Via FRnet, the FR-2057iT/iTA/iTW modules can extend the remote I/O control of PC, PAC and PLC easily.

Further information about the networking of FR-2057iT/2057iTA/2057iTW; refer to literature related to I-8172W, FRB-100U/200U. According to different applications, the users can choose suitable modules.

The FR-2057iTA has 16-channel isolated source output.

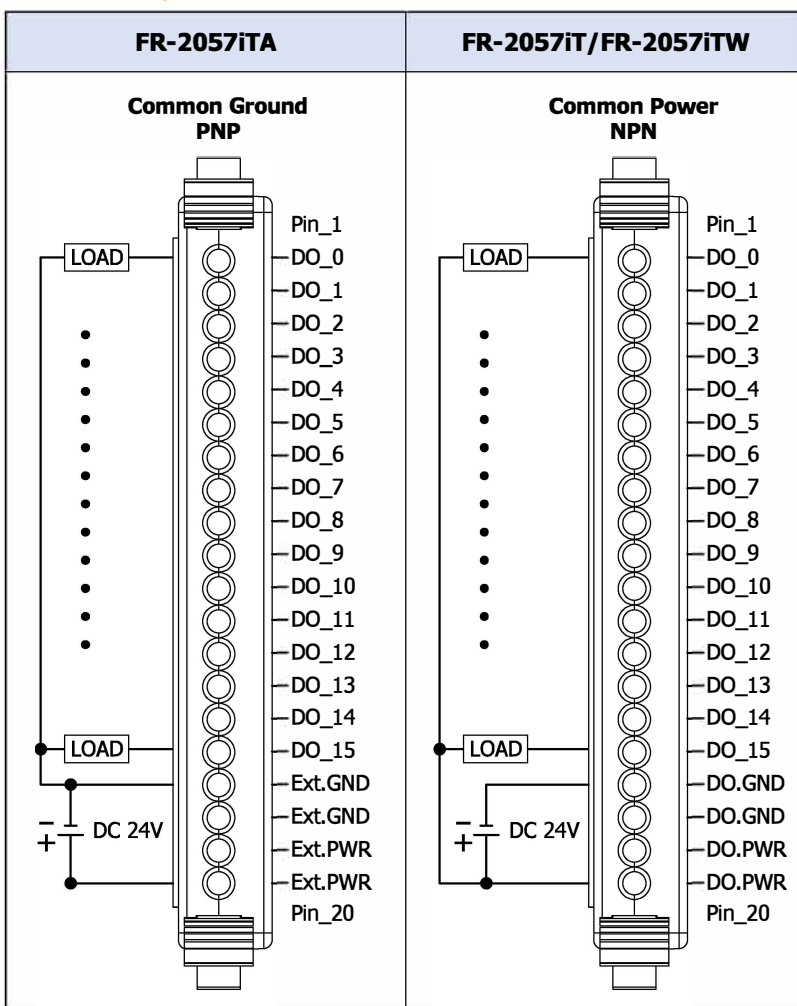
The FR-2057iT/FR-2057iTW has 16-channel isolated sink output.

### Specifications

Models	FR-2057iT	FR-2057iTA	FR-2057iTW
<b>Isolation</b>			
Intra-module Isolation	3750 Vrms		
<b>EMS Protection</b>			
EFT (IEC 61000-4-4)	Yes		
ESD (IEC 61000-4-2)	Yes		
Surge (IEC 61000-4-5)	Yes		
<b>LED Indicators</b>			
Status	Power, Communication Run, Communication Error, Terminal Resistor, Digital Output		
<b>Digital Output</b>			
Channels	16		
Type	Open-Collector		
Sink/Source (NPN/PNP)	Source (PNP)	Sink (NPN)	
Load Voltage	30 Vdc Max.		
Max. Load Current	100 mA Max.	250 mA Max.	
Isolation	3750 Vrms		
<b>FRnet</b>			
Wire Cable	2-wire cabling Belden 9841 (2P twisted-pair cable), When different cables are used, the transmission distance may change		
Transfer Speed	250 kbps and 1 Mbps (Default) DIP Switch Settings		
Transfer Distance	Max. 400 m for speed 250 kbps Max. 100m for speed 1Mbps (Default)		
Cyclic Time	2.88 ms for speed 250 kbps 0.72 ms for speed 1 Mbps (Default)		
Communication Line	Isolation		
<b>Power</b>			
Reverse Polarity Protection	Yes		
Input Range	+10 ~ +30 VDC (Isolation)		
Consumption	2.4 W Max.		

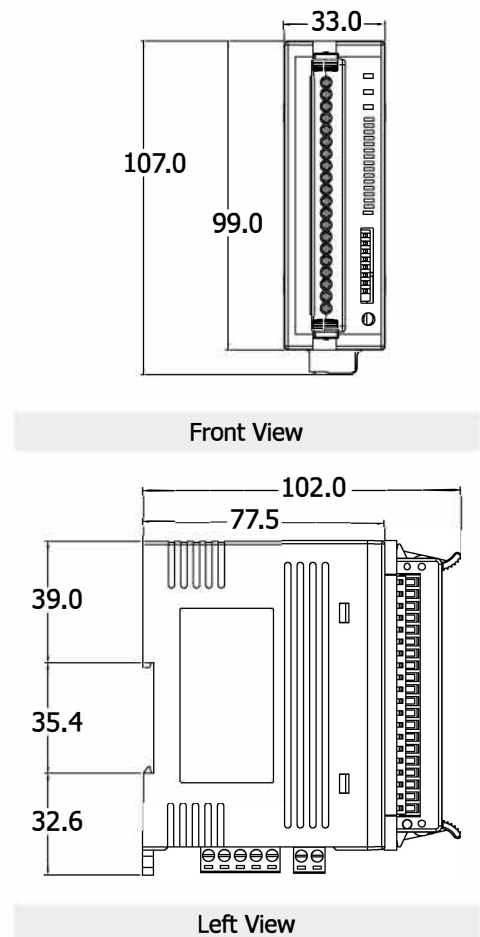
Models	FR-2057iT	FR-2057iTA	FR-2057iTW
<b>Mechanical</b>			
Casing	Plastic		
Dimensions (mm)	33 x 102 x 110 (W x L x H)		
Installation	DIN-Rail Mounting		
<b>Environment</b>			
Operating Temperature	-25 to +75°C		
Storage Temperature	-30 to +85°C		
Humidity	10 to 90% RH, Non-condensing		

### Pin Assignments and Wire Connections



### Dimensions (Units: mm)

#### FR-2057iT/FR-2057iTA/FR-2057iTW



### Ordering Information

<b>FR-2057iT CR</b>	FRnet I/O Module with 16-channel Isolated DO (Sink, NPN, 5~30 VDC) and Isolated Communication Line (RoHS)
<b>FR-2057iTA CR</b>	FRnet I/O Module with 16-channel Isolated DO (Source, PNP, 30 VDC) (250 kbps, Max. 400 m) and Isolated Communication Line (RoHS)
<b>FR-2057iTW CR</b>	FRnet I/O Module with 16-channel Isolated High Current DO (Sink, NPN, 30 VDC, 250 mA, Max) and Isolated Communication Line (RoHS)