



XP-9181-IoT/XP-9381-IoT/XP-9781-IoT

1/3/7-slot Metal Standard PAC with
E3845 CPU and Windows 10 IoT

Features

- Windows 10 IoT Enterprise (64-bit)
- Intel® Atom™ E3845 1.91 GHz
- 4 GB DDR3 SDRAM
- 64 GB SSD
- VGA / HDMI Display Output
- 2 10/100/1000M Ethernet Ports
- Redundant Power Input



Introduction

The XP-9000-IoT are Windows 10 IoT Enterprise based PACs that combine computing, I/O, and operator interface into a single unit, and provide the perfect solution for integrating HMI, data acquisition and control in an individual PAC. It is equipped with an Intel E3827/E3845 CPU, 1/3/7 I/O expansion slots and a variety of connectives including dual Gigabit Ethernet, VGA, USB port, RS-232 and RS-485 interface. Local I/O slots are available to use our I-9K and I-97K series I/O modules and remote I/O expansions are available to use Ethernet I/O modules and RS-485 I/O modules.

Windows 10 IoT Enterprise runs on 64-bit x86 platform with support for both Universal Windows App and Classic Windows applications.

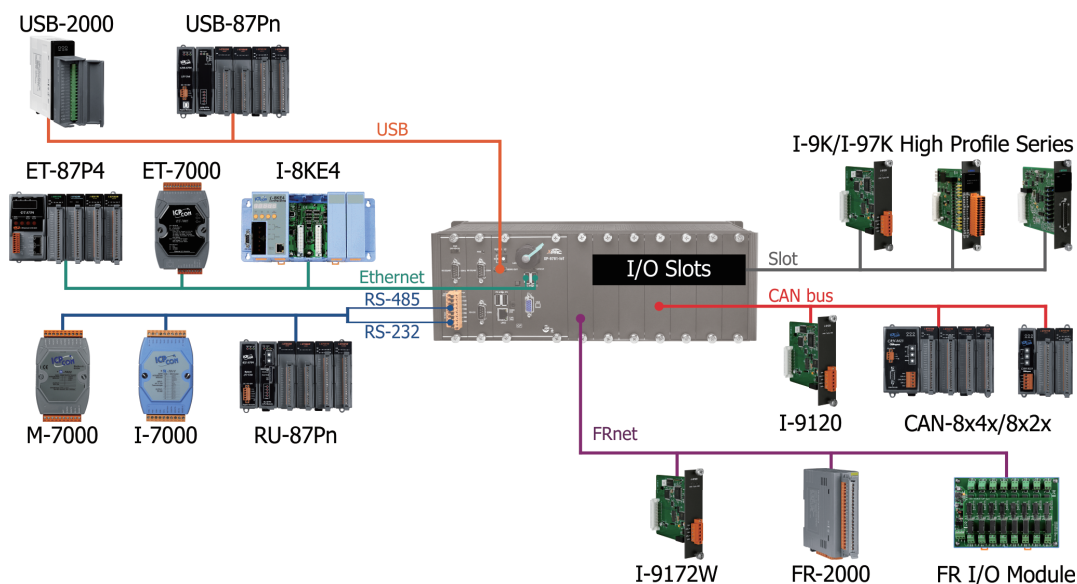
Windows 10 IoT



Windows 10 IoT is a member of the Windows 10 family that brings enterprise-class power, security and manageability to the Internet of Things. It leverages Windows' embedded experience, ecosystem and cloud connectivity, allowing organizations to create their Internet of Things with secure devices that can be quickly provisioned, easily managed, and seamlessly connected to an overall cloud strategy.

- Traditional Windows Shell with Advanced Lockdown Features
- Full Windows UI support (e.g. UWP, WinForms, etc)

Applications

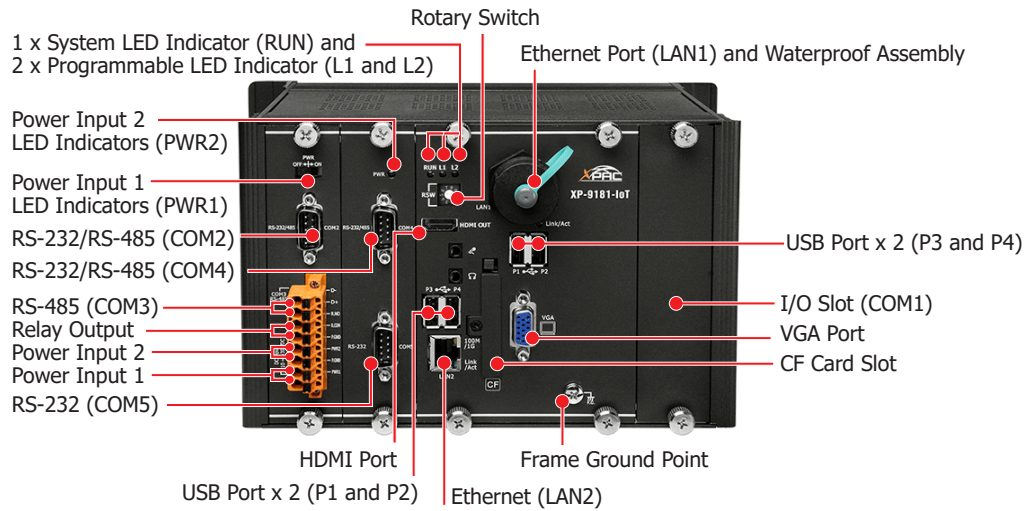


Specifications

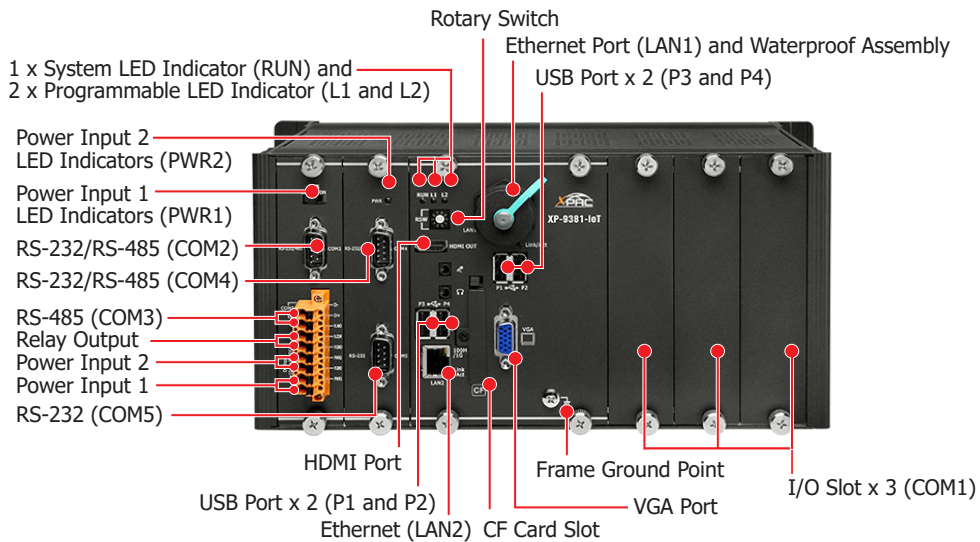
Model	XP-9181-IoT	XP-9381-IoT	XP-9781-IoT
Software			
OS	Windows 10 IoT Enterprise (64-bit)		
Service	IE11, FTP Server, IIS 7.0, ASP (Java Script, VB Script)		
Framework Support	.Net Framework 3.5 ~ 4.8		
Multilanguage Support	English, German, French, Spanish, Portuguese, Russian, Italian, Korean, Japanese, Simplified Chinese, Traditional Chinese		
SDK	Dll for VC, Dll for Visual Studio.Net		
Main Unit			
CPU	E3845, 1.91 GHz, 64-bit quad core		
64-bit Hardware Serial Number	Yes		
System Memory	4 GB DDR3 SDRAM, 64 GB Flash		
Storage	64 GB SSD, 32 GB CF card		
Non-Volatile Memory	128 KB MRAM, 16 KB EEPROM		
Real Time Clock	Provide seconds, minutes, hours, dates, day of week, month, year		
Watchdog Timer	Dual Watchdog Timer		
Display			
Signal	VGA, HDMI		
Resolution	VGA 1280 x 1024 ~ 1920 x 1080 (16 : 9), 640 x 480 ~ 1024 x 768 (4 : 3) HDMI 2560 x 1600 @ 24bpp		
LED Indicators			
Status	1 x System, 2 x Power, 2 x Programmable		
I/O Expansion			
I/O Type	I-9K, I-97K series		
Slots	1	3	7
COM Ports			
Ports	1 x RS-232 (3000 VDC Isolated), 1 x RS-485 (3000 VDC Isolated), 2 x RS-232/RS-485 (3000 VDC Isolated)		
HMI			
Buzzer	Yes		
Rotary Switch	1 x 10 Position (0 ~ 9)		
Audio			
Cable	Microphone-in and Earphone-out		
Ethernet			
Ports	2 x RJ-45, 10/100/1000 Base-TX		
USB			
Ports	4 x USB 2.0		
Power			
Input Range	+10 ~ 30 VDC (1 kV Isolated)		
Redundant Power Inputs	Yes		
Consumption	18.5 W	18.7 W	20.4 W
Mechanical			
Dimensions(W x L x H)	239 x 164 x 133 mm	300 x 164 x 133 mm	422 x 164 x 133 mm
Installation	DIN-Rail, Wall mounting		
Environmental			
Operating Temperature	-25 ~ +60 °C		
Storage Temperature	-30 ~ +80 °C		
Humidity	10 ~ 90 % RH (non-condensing)		

Appearance

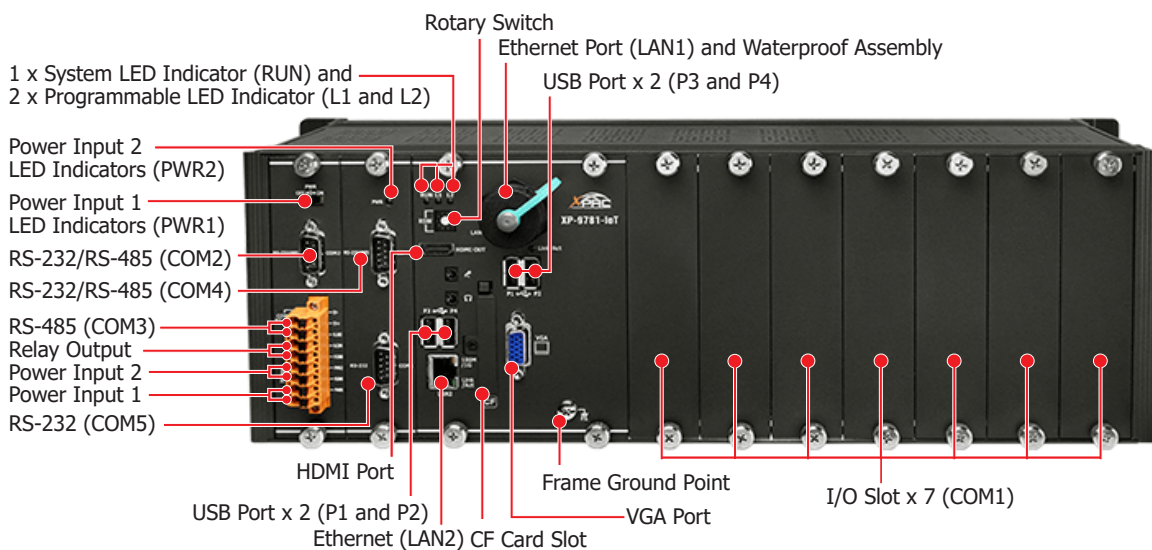
XP-9181-IoT



XP-9381-IoT

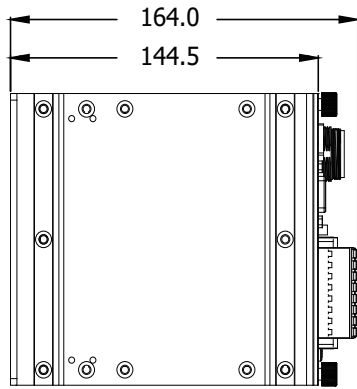


XP-9781-IoT



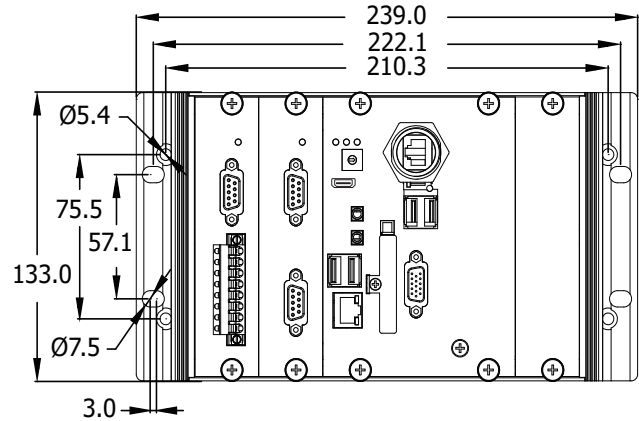
■ Dimensions (Units: mm)

XP-9181-IoT/XP-9381-IoT/XP-9781-IoT



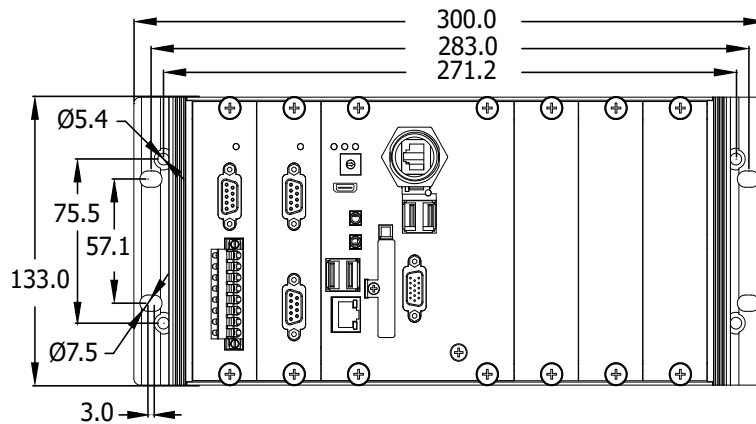
Left Side View

XP-9181-IoT



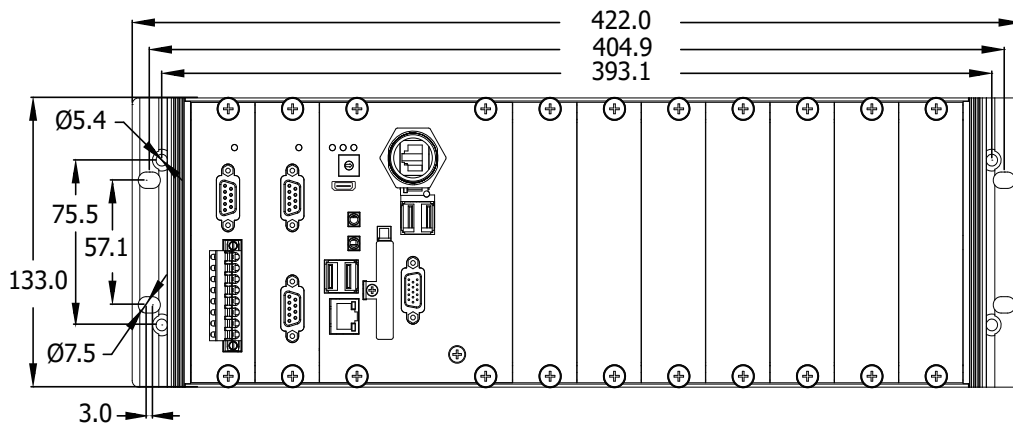
Front View

XP-9381-IoT



Front View

XP-9781-IoT



Front View

■ Ordering Information

XP-9181-IoT CR	1-slot Metal Standard PAC with E3845 CPU and Windows 10 IoT (RoHS)
XP-9381-IoT CR	3-slot Metal Standard PAC with E3845 CPU and Windows 10 IoT (RoHS)
XP-9781-IoT CR	7-slot Metal Standard PAC with E3845 CPU and Windows 10 IoT (RoHS)