

### Features

- Intel Elkhart Lake J6412 Processor
- 1 x 260-pin SO-DIMM up to 32GB DDR4
- Support 1 x GbE LAN and 1 x 2.5GbE LAN
- Support 2 x Expansion Bus
- Wide Range DC 9~36V Input
- Wide Range Operation Temperature -20~70°C

### Specifications

System	
CPU	Intel Celeron J6412 (default) Intel Atom x6425E (option)
System Chipset	SoC
System Memory	1 x 260-pin SO-DIMM up to 32GB DDR4
I/O Interface	
USB	2 x USB 3.2 Gen1 type A
Serial/Parallel	1 x RS-232/422/485, DB-9 (default RS-232)
Audio	1 x Line-out
Display	1 x HDMI 1 x DP
LAN	1 x 2.5GbE LAN, RJ-45 1 x GbE LAN, RJ-45
Power	1 x 3-pin DC Power Input, Terminal Block 1 x Power Button

Storage Space	
HDD	1 x MO-297 SATA Half Slim SSD 1 x M.2 B-Key 2242/2280 SATA * Support to use M.2 and MO-297 SSD Simultaneously

Expansion	
On Board Expansion	1 x Full Size Mini-PCle slot for 4G LTE 1 x M.2 E-Key, 2230 for WiFi/Bluetooth

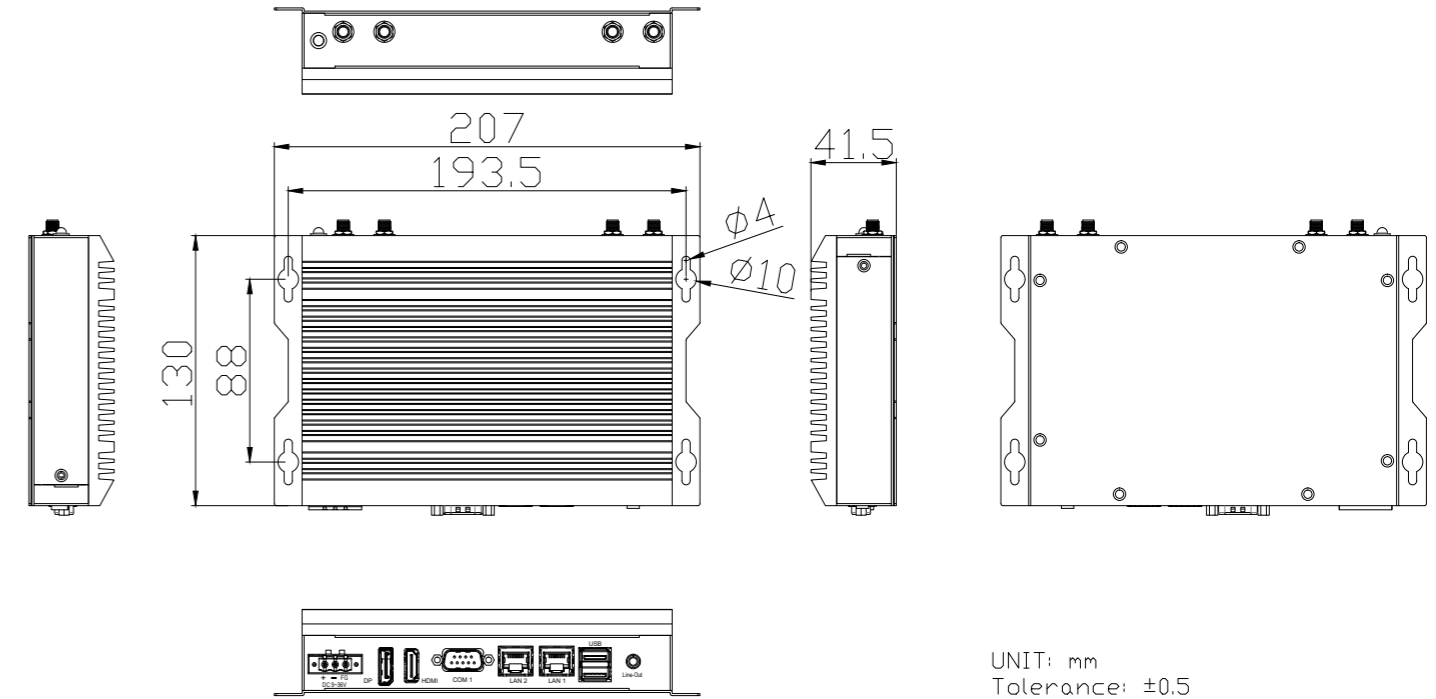
Power	
Power Input	DC 9~36V

Mechanical	
Construction	Aluminum Heatsink and Steel Chassis
Mounting	Wall Mount (default) VESA (100x100 & 75x75) (optional)
Dimensions	207 x 130 x 41.5 mm
Net Weight	1.0 kg

Environmental	
Operating Temperature	0~50°C (optional WT1 -20~60°C/ WT2 -20~70°C)
Storage Temperature	-40~85°C
Storage Humidity	10 to 90%@ 40°C, non-condensing
Certificate	Meet CE/FCC Class A

Operating System Support	
Windows 10 IoT, Windows 11 IoT	

### Dimensions



UNIT: mm  
Tolerance: ±0.5

ICP Electronics  
Australia Pty Ltd

TEL: 02 9457 6011  
sales@icp-australia.com.au  
www.icp-australia.com.au



Proudly Australian-Owned Since 1999

### Ordering Information

ACS-2310A  
(barebone)

Fanless Box PC, Intel Celeron J6412CPU, 1x SO-DIMM DDR4 slot up to 32GB, 1 x M.2 B Key for 2242/2280 SATA SSD, 1x DP, 1 x HDMI, 1x mini-PCle slot Full size for 4G LTE, 1x M.2 E Key for WIFI/BT, 9~36 VDC power input with adaptor, Steel Chassis with Aluminum Heatsink.