

# SBOX-2602

Intel® 11th Gen Core™ i7-1185G7E CPU with 2x LAN/ 2x HDMI 2.0b/ 1x DVI-D/ 2x COM/ DC 12V Fanless Box PC

## Features

- Intel® 11th Gen Core™ i7-1185G7E
- Triple Display Output (2 x HDMI / VGA)
- Wireless Support 5G/LTE, Wi-Fi / Bluetooth (by optional module)
- Wide Range Operating Temperature -30~60°C
- 2 x RS-232/422/485
- 4 x DI / 4 x DO (5V/100mA)



## Introduction

The SBOX-2602 is powered by Intel® 11th Gen Core™ i7-1185G7E with supporting triple display output (2 x HDMI / VGA); it delivers high-performance computing and real-time capabilities for critical Industrial IoT deployment. The SBOX-2602 is equipped with the newest Intel® Iris® Xe Graphics and TSN technology, making it a perfect solution for Factory Automation, Service Robots, Cellular V2X, Smart Retail, and any AIoT/Industry 4.0 applications. Also, this SBOX Fanless Box PC can be applied to industrial automation, digital signage, outdoor video surveillance, and automatic guided vehicle (AGV). The solutions can tackle all outdoor digital applications and extreme weather conditions.

## Specifications

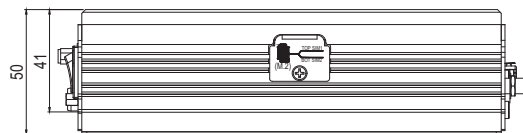
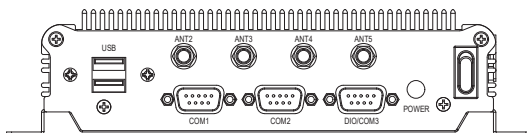
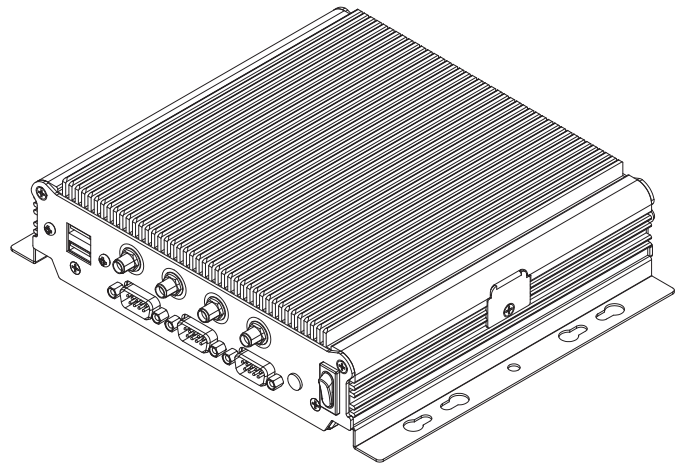
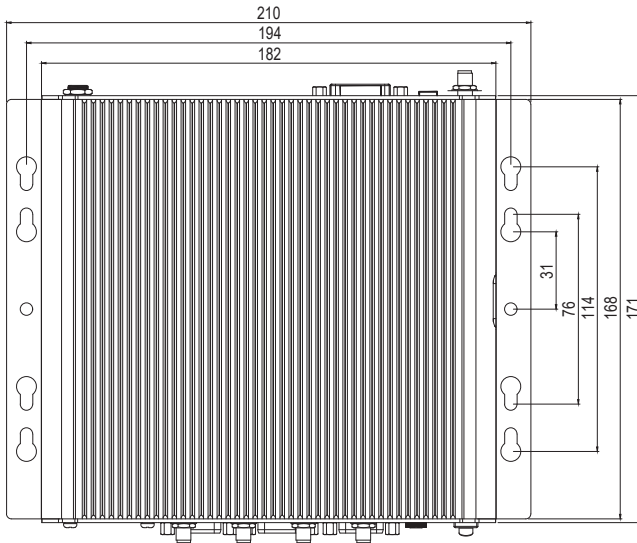
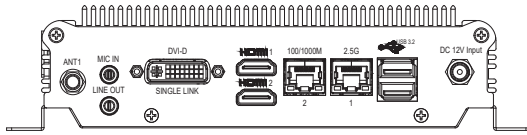
System	
CPU	Intel® 11th Gen Core™ i7-1185G7E up to 2.8 GHz* Intel® 11th Gen Core™ i5-1145G7E up to 2.6 GHz* Intel® 11th Gen Core™ i3-1115G4E up to 3.0 GHz* Intel® Celeron® 6305E 1.8 GHz <small>*CPU TPD is configured at 15W as default setting.</small>
Memory	1 x DDR4 SO-DIMM up to 32 GB
Graphics	Intel® Iris® Xe / UHD Graphics (for Celeron® 6305E only)
ATA	1 x Intel i210-AT Gigabit Ethernet
LAN Chipset	1 x Intel® I255-LM supports AMT for i5 & i7 1 x Intel® I210-AT Gigabit Ethernet
Watchdog	1 ~ 255 Level Reset
TPM	2.0
I/O	
Serial Port	2 x RS-232/422/485 (Optional 3rd Serial Port)
USB Port	2 x USB 2.0 Ports and 2 x USB 3.0
LAN	2 x RJ45 Ports for GbE
Video Port	2 x HDMI/ 1 x VGA
GPIO Port	4 In and 4 Out GPIO Ports (5V Level)
Audio	Mic-in / Line-out
Expansion Bus	1 x M.2 3042/52 Key B for 5G/LTE modem w/ 2 x SIM Card Sockets Supported Onboard 1 x M.2 2230 Key A-E for Wi-Fi + Bluetooth
Antenna	5 x SMA Type External Antenna Pre-cut Hole

Software	
Operating System	Win 10 IoT 64-bit, Ubuntu 20.04 64-bit
Environmental	
Operating Temp.	-30 ~ 60°C, ambient w/ 0.6m/s airflow
Storage Temp.	-40 ~ 85°C
Relative Humidity	10% RH – 90% RH (non-condensing)
Power Input	DC 12V Input w/ Reverse Polarity OCP and OVP Protection
Storage	
Type	1 x 2.5" Drive Bay for SATA Type Hard Disk Drive/SSD 1 x M.2 2280 Key M slot (supports NVMe and SATA SSD w/ auto-detection)
Qualification	
Certifications	CE, FCC Class A
Mechanical	
Construction	Aluminum Alloy
Mounting	Wall-mount (Optional VESA and Din Rail Mounting Kit)
Weight	1600g
Dimensions	210 (L) x 171 (W) x 50(H) mm (Wall Mount Bracket Included)

All specifications are subject to change without notice.

## Dimensions

Unit : mm



## Ordering Information

Part Number	SBOX-2602-i7, SBOX-2602-i5, SBOX-2602-i3, SBOX-2601-C1
Description	Intel® 11th Gen Core™ i7-1185G7E CPU w/ 2x LAN/ 2x HDMI 2.0b/ 1x DVI-D/ 2x COM/ DC 12V/Fanless Box PC
State of Origin	Made in Taiwan

## Optional Accessories

DRAM	SO-DIMM max.DDR4 3200, 8GB~32GB -40~85°C
SATA SSD	M.2 2280 Key B+M SATA SSD TLC 64GB~1TB -40~85°C
NVMe SSD	M.2 2280 Key M NVMe TLC 256GB~1TB -40~85°C
Wi-Fi / Bluetooth	M.2 2230 Key A+E Module
5G / LTE	M.2 3042/3052 Key B Module
Mounting kit	DIN Rail/VESA kit

All specifications are subject to change without notice.