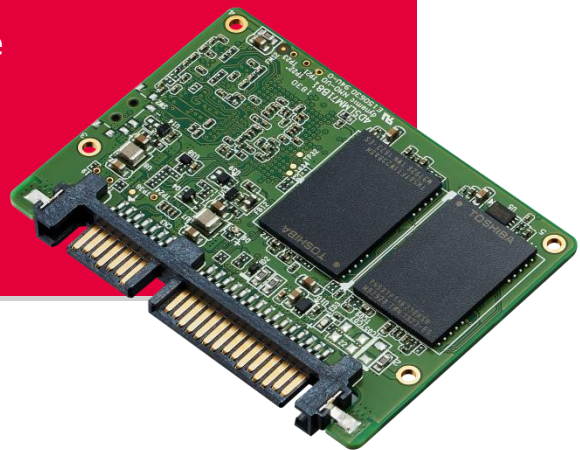


Datasheet

# SATA Slim 3TG6-P series

- SATA Slim solution for industrial field
- High IOPS
- iSMART disk health monitoring
- End to end data path protection
- iData Guard for abnormal power failure
- iPower Guard for protecting unstable start up and shut down



## Introduction

Innodisk SATA Slim 3TG6-P is SATA III 6Gb/s solid state disk, which delivers excellent performance, especially in random data transfer rate, and which offers reliability making it the ideal solution for a variety of applications, including embedded system, industrial computing, and enterprise field. 3TG6-P SATA Slim not only performs unmatched performance, but also designed with Innodisk owned technical knowhow to ensure the data integrity and highest levels of reliability.

ICP Electronics  
Australia Pty Ltd

TEL: 02 9457 6011  
sales@icp-australia.com.au  
www.icp-australia.com.au



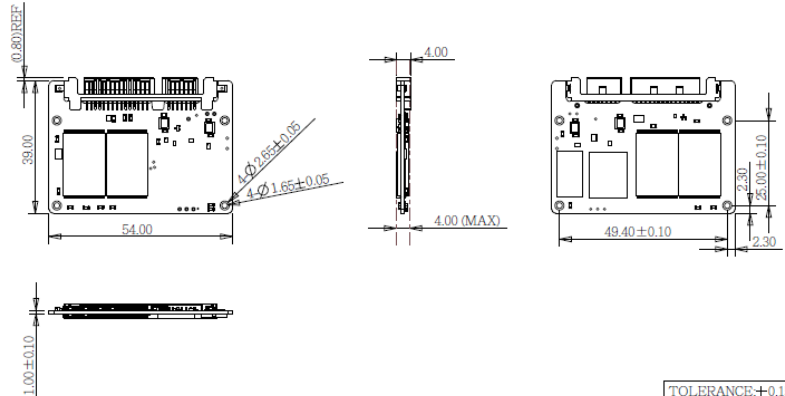
Proudly Australian-Owned Since 1999

# SATA Slim 3TG6-P series

## Drawing

Contact us for more information  
about the SATA Slim 3TG6-P

Innodisk is a service-driven provider of industrial embedded flash and DRAM storage products and technologies, with a focus on the industrial/embedded, aerospace and defense, and cloud computing industries.



## Specifications

Interface	SATA III
Flash Type	3D TLC
Capacity	128GB~512GB
Max. Channels	4
Sequential R/W (MB/sec, max.)*	550/510
4KB Random (QD32) R/W (IOPS)*	73000/ 65000
Max. Power Consumption	4.26W
Thermal Sensor	✓
External DRAM Buffer	✓
ATA Security	✓
S.M.A.R.T.	✓
Dimension (WxLxH)	54.0 X 39.0 X 4.0 mm
Environment	Vibration: 20G @7~2000Hz Shock: 1500G @ 0.5ms Storage Temperature: -55°C ~ +95°C MTBF: 3 million hours
* Sequential performance based on CystalDiskMark 5.1.2 with file size 1000MB	

### Headquarters (Taiwan)

5F., No.237, Sec. 1, Datong Rd.,  
Xizhi Dist., New Taipei City,  
Taiwan (R.O.C.)  
Tel: +886-2-77033000  
Email: sales@innodisk.com

### Branch Offices:

USA  
[usasales@innodisk.com](mailto:usasales@innodisk.com)  
+1-510-770-9421  
Europe  
[eusales@innodisk.com](mailto:eusales@innodisk.com)  
+31-40-3045-400  
Japan  
[jpsales@innodisk.com](mailto:jpsales@innodisk.com)  
+81-3-6667-0161  
China  
[sales\\_cn@innodisk.com](mailto:sales_cn@innodisk.com)  
+86-755-21673689  
[www.innodisk.com](http://www.innodisk.com)

© 2018 Innodisk Corporation.  
All right reserved. Specifications  
are subject to change without  
prior notice.

20181022

## Ordering Information

Operation Temp.	128GB	256GB	512GB
Standard Grade (0°C ~ +70°C)	DGSLM-A28M71EC1QF	DGSLM-B56M71EC1QF	DGSLM-C12M71EC1QF
Industrial Grade (-40°C ~ +85°C)	DGSLM-A28M71EW1QF	DGSLM-B56M71EW1QF	DGSLM-C12M71EW1QF

ICP Electronics  
Australia Pty Ltd

TEL: 02 9457 6011  
[sales@icp-australia.com.au](mailto:sales@icp-australia.com.au)  
[www.icp-australia.com.au](http://www.icp-australia.com.au)



Proudly Australian-Owned Since 1999