

# DRPC-124-EHL

■ Fanless DIN-Rail Embedded System

## Features

- Compact Industrial Mini PC
- Fanless system
- Intel® Celeron® J6412 2.0 GHz (up to 2.6 GHz, quad-core, TDP 10W)
- Four GbE LAN

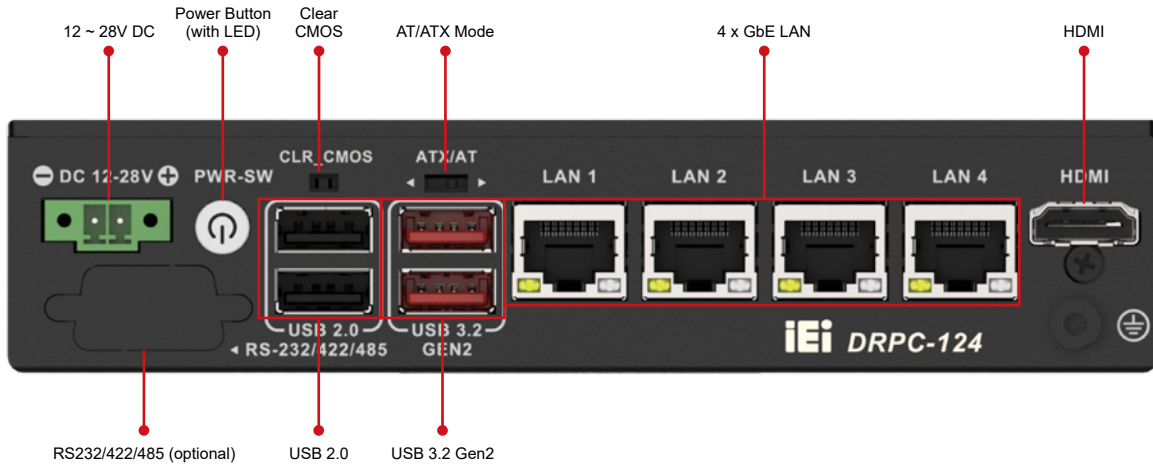


## Specifications

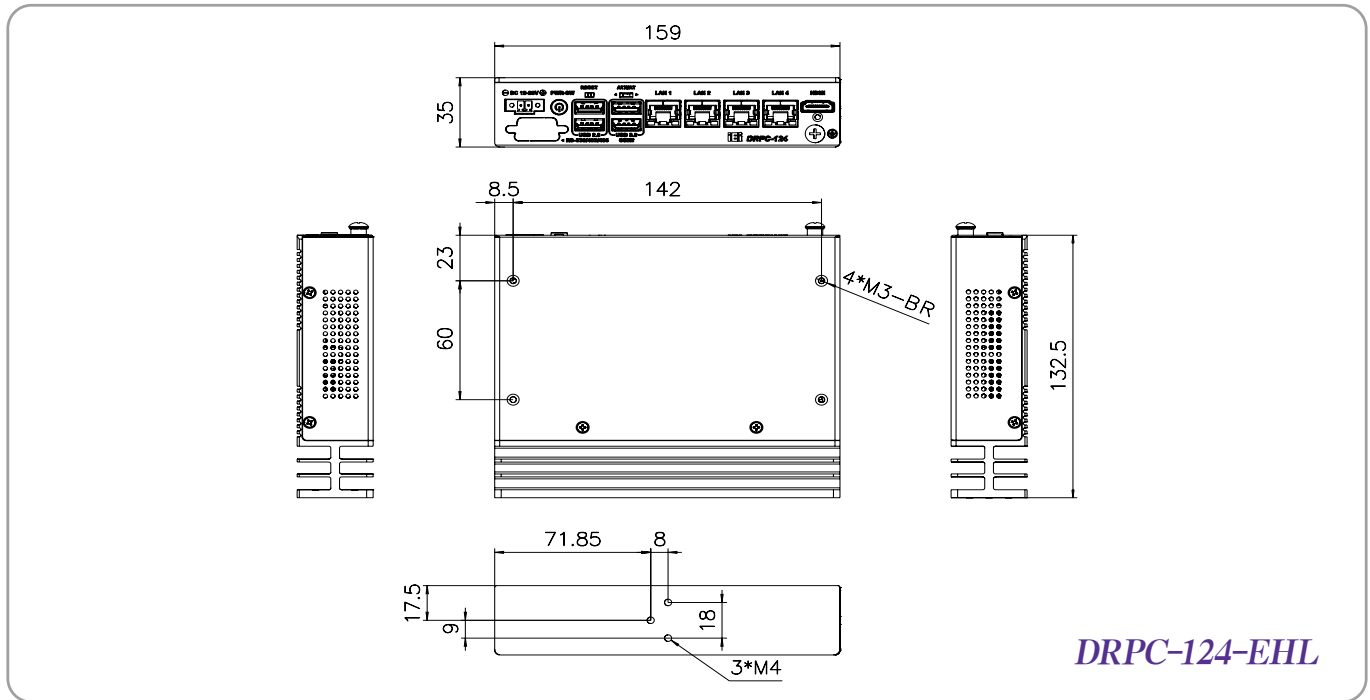
Model Name		DRPC-124-EHL
Chassis	Color	Black
	Dimension( WxDxH)(mm)	159 x 132.5 x 35
	System Fan	Fanless
	Chassis Construction	Extruded aluminum alloy
Motherboard	CPU	Intel® Celeron® J6412 2.0 GHz (up to 2.6 GHz, quad-core, TDP 10W)
	Chipset	SoC
Memory	System Memory	LPDDR4x on board 8GB (MAX 16GB)
Storage	Emmc	1 x eMMC 5.1 (Optional*)
I/O Interfaces	USB	2 x USB 3.2 Gen2 2 x USB 2.0
	Ethernet	1 x RJ-45 PCIe GbE by I210 controller 3 x RJ-45 PCIe 2.5 GbE by I225V controller
	Display	1 x HDMI 1.4B
	COM	1x RS-232/422/485 (DB9)(Optional)
	TPM2.0	Intel PTT
	Others	1 x Power Button (with LED), 1 x Clear CMOS
Expansions	M.2	1 x 2242 B-key (PCIe Gen3 x2) 1 x 2242 B-key (SATA) 1 x 2280 M-key (PCIe Gen3 x2)
	Power Input	2-pin Terminal block: 12-28 VDC
Power	Power Consumption	12V@3.05 (Intel® Celeron® J6412 with 8GB DDR4 Memory)
	Mounting	DIN-Rail, Wall Mount
Reliability	Operating Temperature	-10°C ~ 50°C with air flow (M.2), 10% ~ 95%, non-condensing
	Storage Temperature	-20°C ~ 70°C with air flow (M.2), 10% ~ 90%, non-condensing
	Operating Shock	Half-sine wave shock 5G, 11ms, 100 shocks per axis (M.2)
	Operation Vibration	MIL-STD-810G 514.6C-1 (M.2)
	Weight ( Net/Gross)	0.78KG /1.2kg
	Safety / EMC	CE, FCC, UKCA
	Watchdog timer	Programmable 1 ~ 255 sec/min
OS	Supported OS	Microsoft® Windows® 10/11, Linux

\*Based on project discussion, it might have MOQ criteria. Please contact with Sales Account.

## Fully Integrated I/O



### Dimensions (Unit: mm)



### Ordering Information

Part No.	Description
DRPC-124-EHL-JC-R10	Fanless System with Intel® Celeron® J6412 2.0GHz (up to 2.6 GHz, Quad Core, TDP 10W), on board 8GB LPDDR4x memory, 1 x GbE Lan, 3 x 2.5GbE Lan, 1 x HDMI, 12-28V DC, RoHS
DRPC-124-EHL-W10IoT21-E-R10	OS Image with Windows® 10 Enterprise Entry 64-bit 2021 LTSC for DRPC-124-EHL Series, with DVD-ROM, RoHS

### Options

Item	Part No.	Description
COM Cable	32205-005401-100-RS	RS-232/422/485 CABLE; 250mm; (A)D-SUB 9P MALE; (B)DU PONT 2*5P P=2.0 FEMALE
DC Power Cable	32102-045700-100-RS	DC POWER CABLE; 200mm; (A)DC JACK 5.5*2.5; (B)TERMINAL BLOCK 2P P=3.5 180°
Wall Mount Bracket*	41020-0522C2-00-HF	WALL MOUNT BRACKET; NCT processing formation
Power Adapter	63040-430084-000-RS	Adapter Power; Huntkey; HKA09012070-7U; P11-090128801R; Active PFC; Vin:100~240VAC; 84W; Dim:138*51*30.1mm; Plug=10mm; Cable=1200mm; Vout:12VDC
Power Cord	32702-000202-100-RS	POWER CORD; EUROPEAN CODE(VDE); 1000mm; 300V; (A)PLUG:SH-005(16A/250V); (B)CONNECTOR:C13(SH-006,10A/250V)

\* Wall Mount Bracket quantity required 2

### Packing List

1 x Mounting Screw	1 x DIN-Rail mounting kit	1 x Screw pack
--------------------	---------------------------	----------------