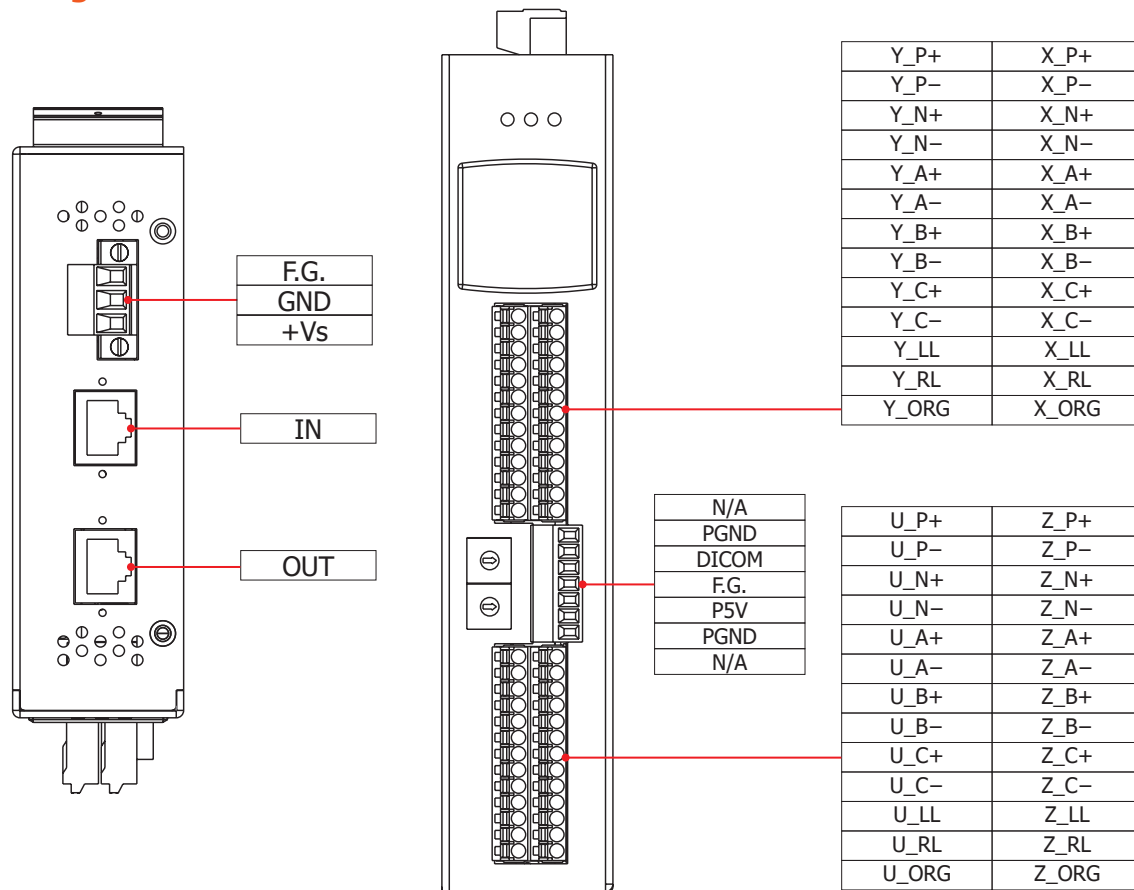


■ Specifications

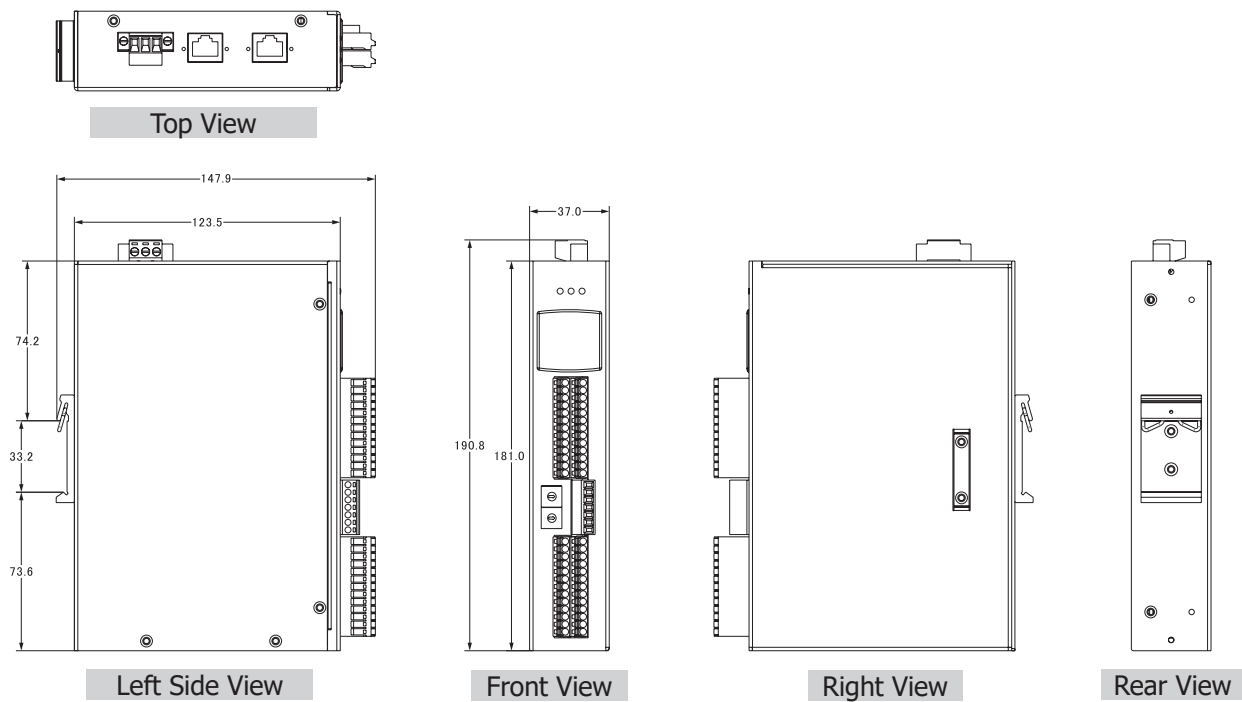
Model		ECAT-2094P
EMS Protection		
EFT (IEC 61000-4-4)	Signal : 1 KV Class A; Power : 1 KV Class A	
ESD (IEC 61000-4-2)	4 KV Contact for each channel	
Surge (IEC 61000-4-5)	1 KV Class A	
LED Indicators		
Status	1 x Power 1 x Operation State 2 x Communication 12 x DI status 18 x Motion status	
Encoder Input		
No. of Axes	4, differential	
Mode	A/B phase, CW/CCW, Pules/Dir	
Frequency	1 MHz Max.	
Motor Output		
No. of Axes	4	
Step Frequency	4 MHz Max.	
Digital Input		
Channels	12	
Type	Wet Contact	
ON Voltage Level	10 ~ 24 VDC	
OFF Voltage Level	4 VDC Max.	
Isolation	3750 VDC	
EtherCAT		
Ports	2 x RJ-45	
Distance Between Stations	100 m Max. (100Base-TX)	
Data Transfer Medium	Ethernet/EtherCAT Cable (Min. CAT 5), Shielded	
Cycle Time	0.5 Millisecond	
Distributed Clocks	Yes	
Power		
Input Range	+20 VDC ~ +30 VDC	
Mechanical		
Casing	Metal	
Dimensions (W x L x H)	DIN-rail mounting	37 mm x 191 mm x 148 mm
	Wall mounting	37 mm x 229 mm x 142 mm
Installation	DIN-rail mounting or wall mounting	
Environmental		
Operating Temperature	-25 ~ +40 °C	
Storage Temperature	-30 ~ +80 °C	
Ambient Relative Humidity	10 ~ 90% RH, Non-condensing	

Pin Assignments

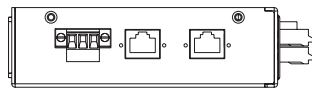


Dimensions (Units: mm)

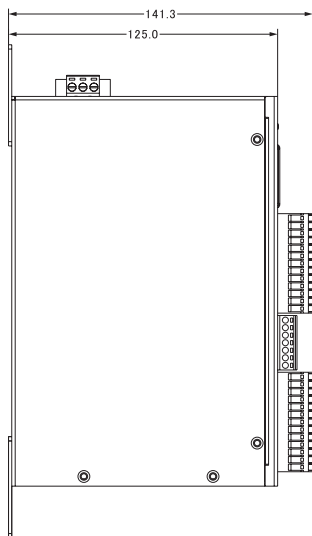
DIN-rail mounting



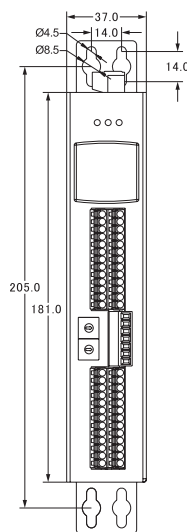
Wall mounting



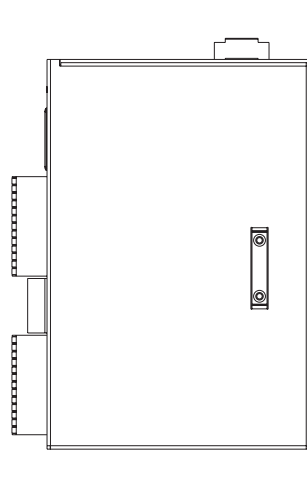
Top View



Left Side View



Front View

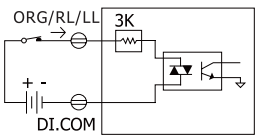
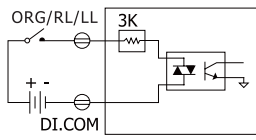
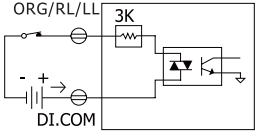
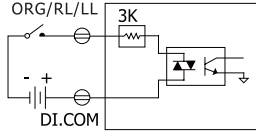


Right View



Rear View

Wire Connections

Digital Input	Readback as 1	Readback as 0
	+10 ~ +24 VDC	OPEN or <4 VDC
Sink		
	+10 ~ +24 VDC	OPEN or <4 VDC
Source		

Ordering Information

ECAT-2094P CR

EtherCAT slave CiA402 Standard 4-axis pulse output module (Metal Case) (RoHS)