



MQ-7260AM

MQTT I/O Module with 6-ch DI (Dry, Wet)
and 6-ch Power Relay

Features

- Built-in Web Server
- Web HMI
- Support Modbus TCP and MQTT Protocols
- 2-port Ethernet Switch (LAN Bypass) for Daisy-Chain Wiring
- Dual Watchdog
- Built-in I/O
 - DI: 6 Channels
 - Power Relay: 6 Channels



Introduction

The MQ-7260AM is an Ethernet I/O module equipped with 6-channel DI and 6-channel form A relays, as well as the MQTT and Modbus TCP protocols, which are supported for connecting with a variety of digital sensors in Industrial Internet of Things (IIoT) applications. A web-based user interface is provided to configure the module, monitor the network connection status and I/O status, and control relay output channels on the module via a normal web browser on a mobile device or computer.

The MQ-7260AM features optical isolation for 3000 VDC of transient overvoltage protection but doesn't provide channel-to-channel isolation. When inductive loads are connected to the relays, a large counter electromotive force may occur when the relay actuates because of the energy stored in the load. These flyback voltages can severely damage the relay contacts and greatly shorten the relay life. Limit these flyback voltages at your inductive load by installing a flyback diode for DC loads or a metal oxide varistor for AC loads.

System Specifications

Model	MQ-7260AM
Software	
Built-in Web Server	Yes
CPU Module	
Watchdog Timer	Module, Communication (Programmable)
EMS Protection	
EFT (IEC 61000-4-4)	±4 kV for Power Line
ESD (IEC 61000-4-2)	±4 kV Contact for Each Terminal and ±8 kV Air for Random Point
Surge (IEC 61000-4-5)	±2 kV for Power Line
LED Indicators	
Status	Run, Ethernet, I/O
Ethernet	
Ports	2 x RJ-45, 10/100 Base-TX, Switch Ports
LAN bypass	Yes
Protocol	MQTT 3.1.1 Modbus TCP
Isolation	1500 VDC
Power	
Reverse Polarity Protection	Yes
Consumption	3.6 W Max.
Powered from Terminal Block	+12 ~ +48 VDC
Mechanical	
Casing	Metal
Dimensions (mm)	97 x 120 x 42 (W x L x H)
Installation	DIN-Rail or Wall mounting
Environmental	
Operating Temperature	-25 ~ +75 °C
Storage Temperature	-30 ~ +80 °C
Humidity	10 ~ 90% RH, Non-condensing

I/O Specifications

Model	MQ-7260AM
Digital Input	
Channels	6
Type	Dry Contact, Wet Contact
Sink/Source (NPN/PNP)	Dry: Source Wet: Sink, Source
ON Voltage Level	Dry: Close to GND Wet: +10 ~ +50 VDC
OFF Voltage Level	Dry: Open Wet: +4 VDC max.
Input Impedance	10 kΩ
Overvoltage Protection	+70 VDC
Effective Distance	500m Max.

Model	MQ-7260AM
Relay Output	
Channels	6
Type	Power Relay, Form A (SPST N.O.)
Contact Rating	5 A @ 250 VAC/24 VDC (Resistive Load)
Operate Time	10 ms Max.
Release Time	5 ms Max.
Electrical Endurance	10 ⁵ ops.
Mechanical Endurance	2 × 10 ⁷ ops.
Power on Value	Programmable
Safe Value	Programmable

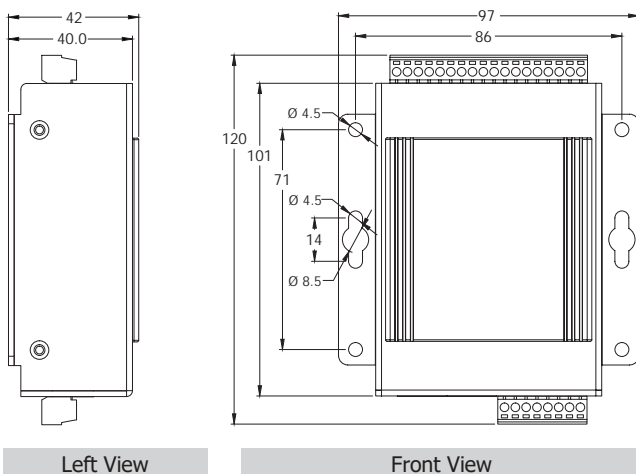
Wire Connections

Input Type	Readback as 1	Readback as 0
Sink	+10 ~ +50 VDC 	OPEN or <4 VDC
	+10 ~ +50 VDC 	OPEN or <4 VDC

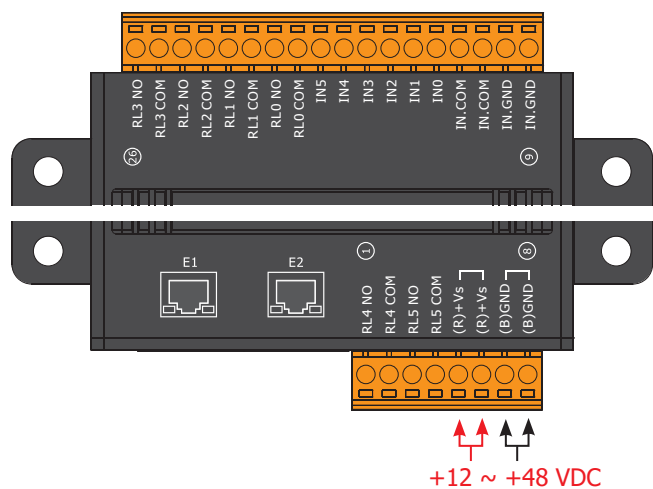
Output Type	ON State Readback as 1
Power Relay	
	OFF State Readback as 0

Input Type	ON State Readback as 1	OFF State Readback as 0
Dry Contact		

Dimensions (Units: mm)



Pin Assignments



Ordering Information

MQ-7260AM CR	MQTT I/O Module with 2-port Ethernet Switch with 6-ch DI (Dry, Wet) and 6-ch Power Relay (RoHS)
---------------------	---