

INA3605

Rackmount Network Appliance

Enterprise 1U Network Appliance with Intel® Xeon® E-2300 Processors & up to 16 GbE Ports



Features

- Intel® Xeon® E-2300 Processors with C252 PCH
- 2x DDR4 UDIMM / RDIMM, Max. 64GB (ECC)
- 6x RJ45 GbE with 2 pairs bypass on board
- 2x Gbe SFP ports on board
- Optional NIC slot
- 4x U.3 storage on the front
- SATA/NVMe SSD with RAID 0,1,5,6,10,50,60 support through LSI RAID controller
- 1x PCI-E(x8) expansion slot
- 600W AC redundant power supplies

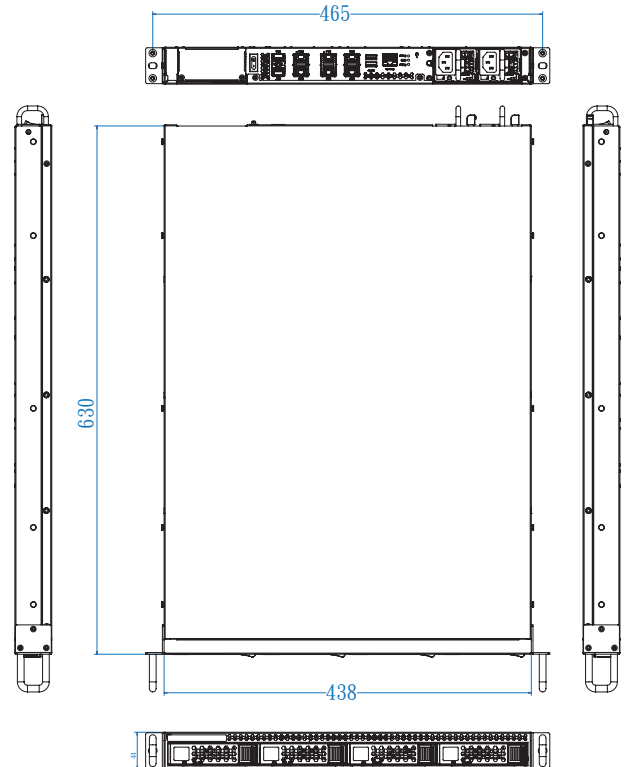
Specifications

CPU	LGA1200 Socket for Intel® Xeon® E-2300 Processors
Chipset	Intel® C252 PCH chipset
Memory	2x DDR4 UDIMMs Max. 64GB
Display	N/A
Ethernet	6x Gbe RJ45 Ports(Intel i226V) with 2 pairs bypass 2x Gbe SFP port (Intel i210IS)
Bypass	2-Segments, LAN3/4 & 5/6
Expansion	1x PCI-E(x8) slot (8-lane) for INA3605
IPMI	N/A
Storage	4x hot-swappable 3.5" SATA HDD/SSD storage - Optional supporting NVMe drives with LSI RAID controller (Suggested RAID Controller: LSI MegaRAID 9560-16i supporting RAID 0, 1, 5, 6, 10, 50 and 60) - Optional supporting HDD drives with LSI RAID controller (Suggested RAID Controller: LSI MegaRAID 9540-8i supporting RAID 0, 1, 10)
TPM	TPM 2.0
I/O	3x LED (Power/ HDD/ Status) 1x Reset button 1x RJ45 console 2x USB3.2
Power Supply	full range 600 Watt redundant Power Supply
Dimensions	438 (W) x 630 (D) x 44 (H) mm 17.24" (W) x 24.8" (D) x 1.73" (H)
Weight	17.6 kg (30.8 lbs)
Operating Temperature	0°C ~ 40°C (32°F ~ 104°F)
Storage Temperature	-20° ~ 70°C (-4°F ~ 158°F)
Operating Humidity	10~ 95%
Certification	CE/FCC

Ordering Information

INA3605	INA3605 1U Rackmount Appliance, MBN808 Intel® RKL-E, C252 PCH, 2x DDR4 DIMMs, Max. 16 LAN Ports, 600W 1+1 PSU, CPU cooler, 1x PCI-E(x8) slot, Barebone without CPU/RAM/HDD/IBN Card
---------	---

Dimensions



ICP Electronics
Australia Pty Ltd

TEL: 02 9457 6011
sales@icp-australia.com.au
www.icp-australia.com.au



Proudly Australian-Owned Since 1999