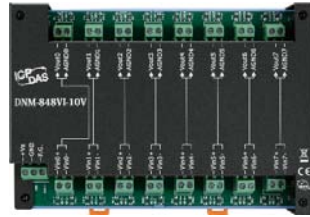




DMM-843VI-600V
DMM-843VI-800V

3-channel Voltage Attenuator with channel to channel isolation



DMM-848VI-10V
DMM-848VI-80V
DMM-848VI-150V

8-channel Voltage Attenuator with channel to channel isolation

Features

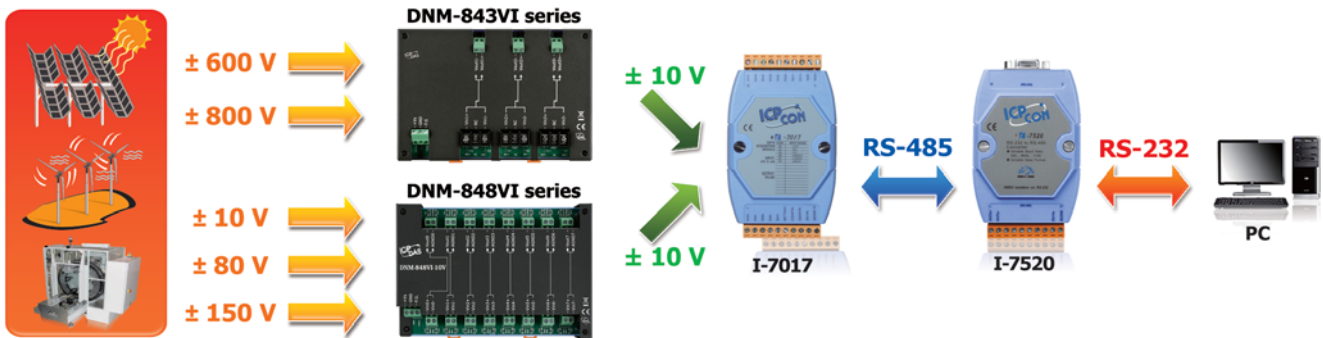
- AC/DC Source Input
- High Voltage Input Measurement
- Linear Attenuation Ratio
- High Input Impedance
- Channel to Channel Isolation
- 4 kV ESD Protection
- 3 kV Surge Protection
- Easily Wire Connection



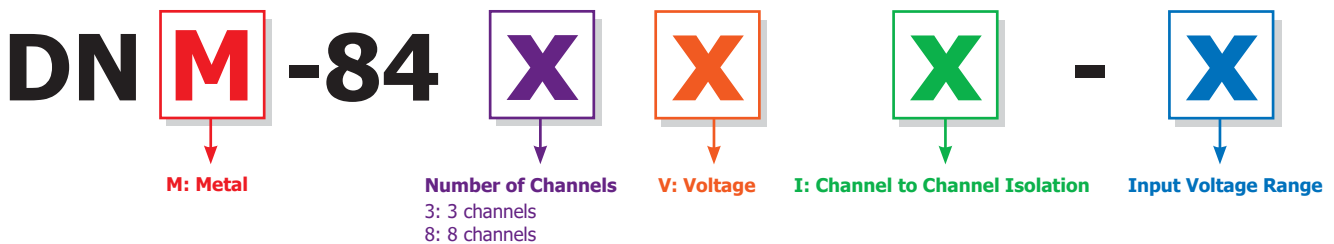
Introduction

The DMM-843VI series and DMM-848VI series are voltage input attenuator. The maximum input range is from ± 80 to ± 800 V can be attenuated to ± 10 V. provide 3000 VDC intra-modules isolation and 3000 VDC channel to channel isolation to avoid the noise interference from inputs to outputs or channel to channel. It can be used with the analog input modules such as I-7017, I-87017, M-7017RMS and I-87017W-RMS etc. to measure the high voltage.

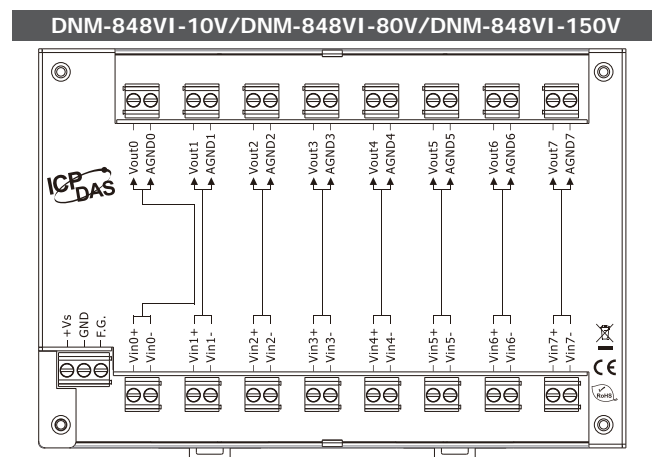
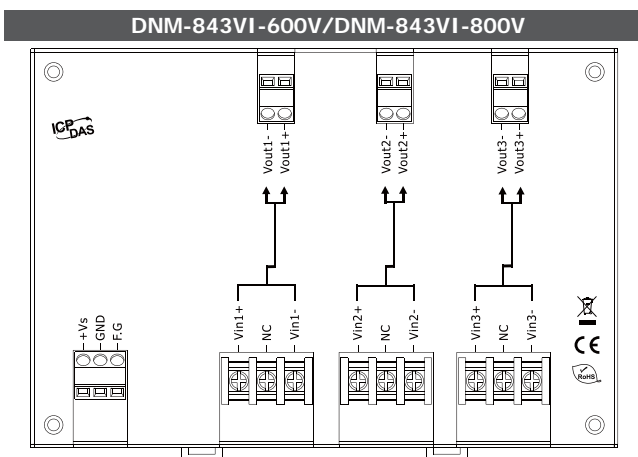
Applications



Selection Guide



Appearance



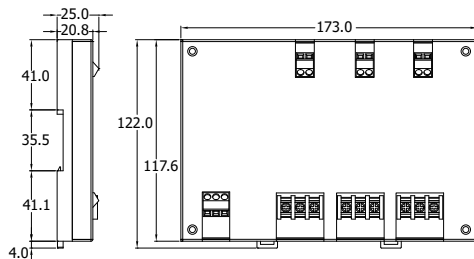


Specifications

| Models | DNM-843VI-600V | DNM-843VI-800V | DNM-848VI-10V | DNM-848VI-80V | DNM-843VI-150V |
|------------------------------|---|----------------|-------------------------|---------------|----------------|
| EMS Protection | | | | | |
| ESD (IEC 61000-4-2) | ±4 kV contact for power line, input and output channels, ±8 kV air for random point | | | | |
| Surge (IEC 61000-4-5) | ±3 kV for power liner | | | | |
| Analog Input | | | | | |
| Channels | 3 | | 8 | | |
| Type | AC/DC Voltage | | | | |
| Range | ±600 Vpp | ±800 Vpp | ±10 Vpp | ±80 Vpp | ±150 Vpp |
| Accuracy | 1% of FSR | | | | |
| Bandwidth | 30 KHz | | | | |
| Input Impedance | >1 MΩ | | | | |
| Channel-to-Channel Isolation | 3000 VDC | | | | |
| Intra-module Isolation | 3000 VDC | | | | |
| Analog Output | | | | | |
| Channels | 3 | | 8 | | |
| Type | AC/DC Voltage | | | | |
| Range | ±10 Vpp | | | | |
| Power Input | | | | | |
| Input Range | +10 ~ +24 VDC | | | | |
| Power Consumption | 0.56 W | | 9.2 W | | |
| Mechanical | | | | | |
| Casing | Metal | | | | |
| Dimensions (W x L x D) | 173 mm x 122 mm x 25 mm | | 173 mm x 122 mm x 35 mm | | |
| Installation | DIN-Rail Mounting | | | | |
| Environment | | | | | |
| Operating Temperature | -25 ~ +75 °C | | | | |
| Storage Temperature | -30 ~ +75 °C | | | | |
| Humidity | 10 ~ 90% RH, Non-condensing | | | | |

Dimensions (Units: mm)

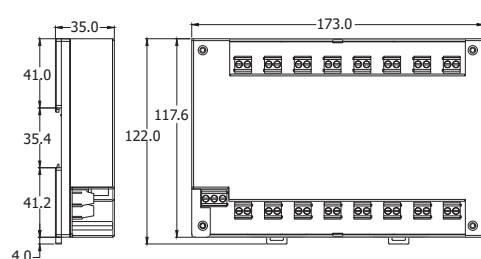
DNM-843VI-600V/DNM-843VI-800V



Left View

Front View

DNM-848VI-10V/DNM-848VI-80V/DNM-848VI-150V






Left View

Front View

Ordering Information

| | |
|-------------------|---|
| DNM-843VI-600V CR | 3-channel 600 VDC Voltage Attenuator with channel to channel isolation (Metal) (RoHS) |
| DNM-843VI-800V CR | 3-channel 800 VDC Voltage Attenuator with channel to channel isolation (Metal) (RoHS) |
| DNM-848VI-10V CR | 8-channel 10 VDC Voltage Attenuator with channel to channel isolation (Metal) (RoHS) |
| DNM-848VI-80V CR | 8-channel 80 VDC Voltage Attenuator with channel to channel isolation (Metal) (RoHS) |
| DNM-843VI-150V CR | 8-channel 150 VDC Voltage Attenuator with channel to channel isolation (Metal) (RoHS) |

Accessories

| | |
|--|--|
|  MDR-20-24 CR | 24 V/1 A, 24 W Power Supply with DIN-Rail Mounting (RoHS) |
|  I-7017-G CR | 8-channel Analog Input Module with DCON Protocol (Gray Cover) (RoHS) |
|  I-87017-G CR | 8-channel Analog Input Module (RoHS) |