**Features**

- Xilinx Kria K26 SOM featuring low latency and high-performance DPU
- Support Innodisk iCAP Cloud Platform for remote management
- Support InnoAgent to support out-of-band (OOB) remote management
- Support PCIe M.2 2230 / 2242 slot for Storage and Peripherals
- Prebuilt Hardware Acceleration with BSP / Pre-trained AI Models
- Optional Industrial Temperature (-40°C to +85°C) support
- Industrial design, manufactured in innodisk Taiwan, 3-year warranty

**Specifications**

Module Name	EXMU-X261
Module Type	FPGA Machine Vision Solution Kit
Form Factor	SOM
Controller	Kria K26
Dimension	120 x 100 mm
Display Interface	1x HDMI 1.4
Ethernet	1x RJ45 GbE LAN
I/O	4x USB 3.1 Gen1 1x 15pin terminal block (GPIOx5, UARTx1, CANbus x2, I2C x1) 1x MicroSD 1x USB Type-C (Debug Only) Power Button Reset Button
Expansion	M.2 2230 E-Key (PCIe Gen2 x1, USB 2.0) M.2 2242 M-Key (PCIe Gen3 x4)
Indicator	Dual Color Power LED
Power Requirement	12V +/-5% DC Power supply
Power Consumption	Approximate 12W
Temperature	Operation: Standard Temp: 0°C ~ 70°C Storage: -40°C ~ 75°C
Storage Humidity	5% to 95%, non-condensing
OS Support	Linux OS 5.4.0 ; Ubuntu 18.04
Certification	CE/FCC class A

**Headquarters (Taiwan)**

5F., No.237, Sec. 1, Datong Rd.,  
Xizhi Dist., New Taipei City 221,  
Taiwan

Tel: +886-2-7703-3000  
Email: sales@innodisk.com

**Branch Offices:****USA**

[usasales@innodisk.com](mailto:usasales@innodisk.com)  
+1-510-770-9421

**Europe**

[eusales@innodisk.com](mailto:eusales@innodisk.com)  
+31-40-3045-400

**Japan**

[jpsales@innodisk.com](mailto:jpsales@innodisk.com)  
+81-3-6667-0161

**China**

[sales\\_cn@innodisk.com](mailto:sales_cn@innodisk.com)  
+86-755-2167-3689

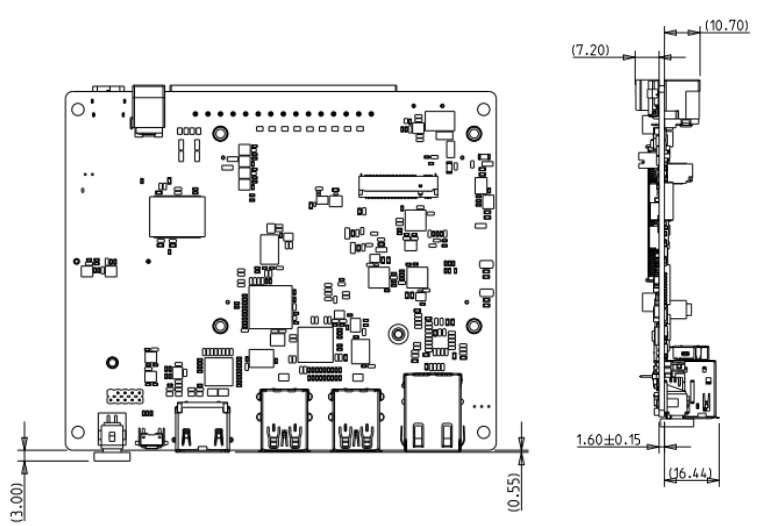
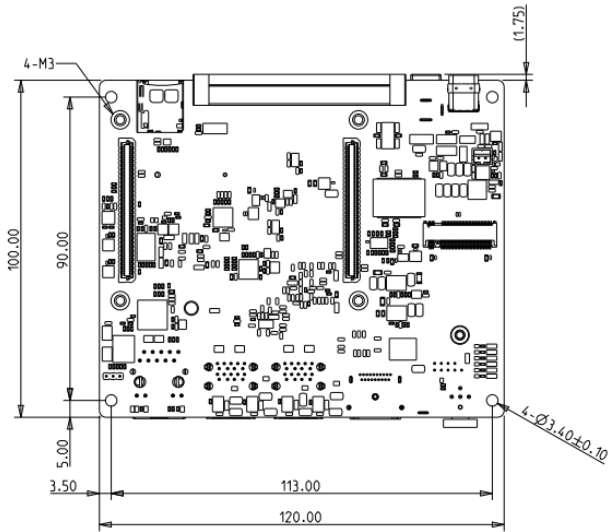
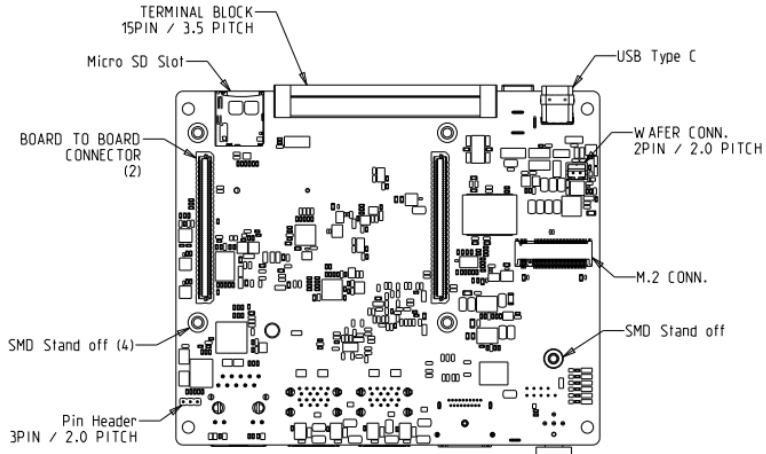
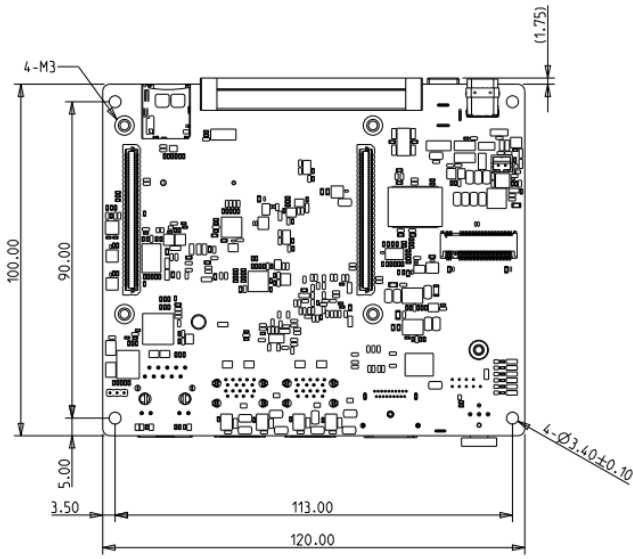
[www.innodisk.com](http://www.innodisk.com)

© 2022 Innodisk Corporation.  
All right reserved. Specifications  
are subject to change without  
prior notice.

December 19, 2022

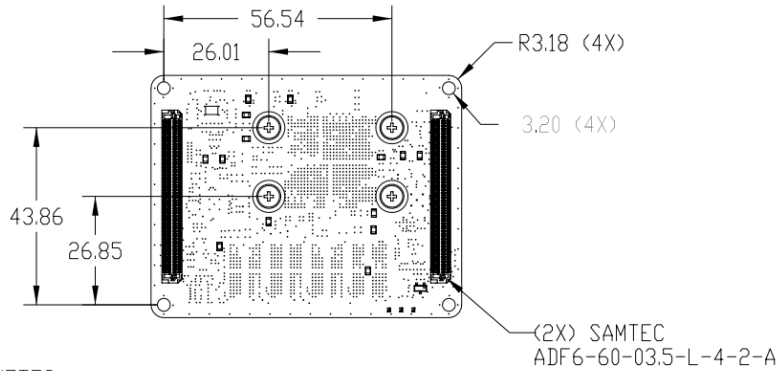
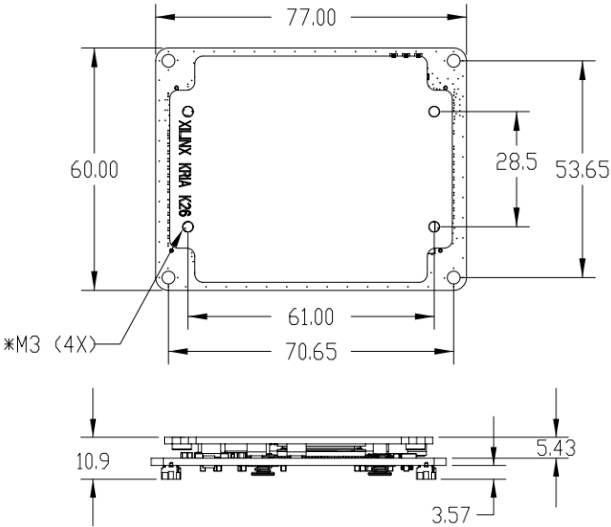
### Mechanical Drawing

EXMU-X261 Carrier Board



### Mechanical Drawing

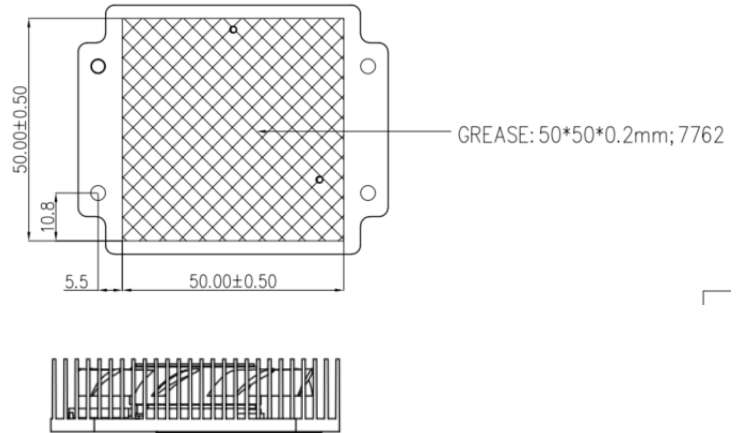
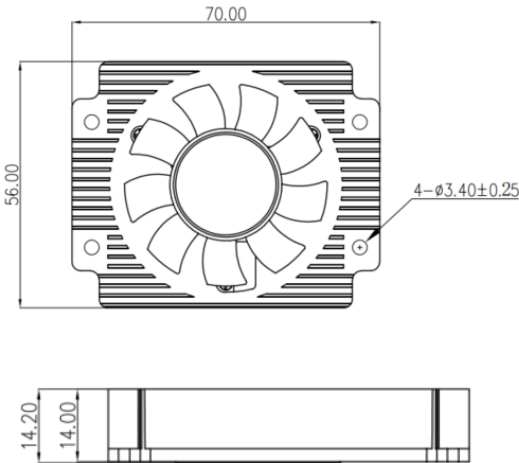
Xilinx Kria K26 SOM (Refer to Xilinx K26 SOM Datasheet – DS987)



NOTES:

1. ALL DIMENSION IN MM.
2. MASS: 58G.
3. \*MOUNTING HOLES RESERVED FOR CUSTOMER COOLING INSTALLATION.
4. TOLERANCE UNLESS OTHERWISE SPECIFIED:  $\pm 0.13$ .

### Heatsink with Fan



### Order information

**EXMU-X261-00A1-C1 (Standard Temp.)**  
EXMU-X261 FPGA Machine Vision Solution Kit

### Packing List

- Xilinx Kria K26 SOM x1
- EXMU-X261 Carrier Board x1
- Heatsink with Fan x1

### Optional Accessories

- **EZ2N-0XL1-W1** (InnoAgent Out-of-Band Remote Management Module)
- **9Z9000000060** (12V DC Power Adapter)