

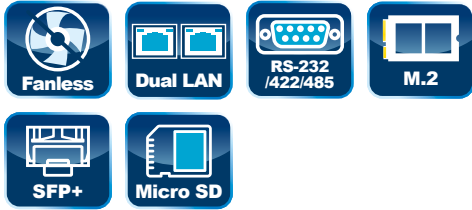
DRPC-330-A7K

- Fanless DIN-Rail Embedded System
- **Marvell® ARMADA® 88F7040 Solution**

New

Features

- Marvell® ARMADA® 88F7040
- Supporting 10GbE SFP+
- Multiple COM Ports with isolation
- Multiple expansion slots
- Wide power input 9 ~ 36V



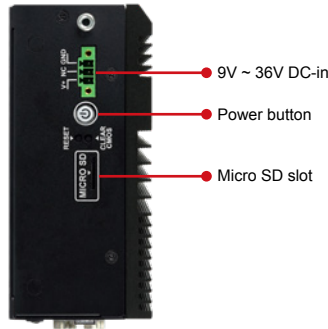
Specifications

Model Name		DRPC-330-A7K
Chassis	Color	Black
	Dimensions (WxDxH)(mm)	58.75 x 130 x 174
	System Fan	Fanless
	Chassis Construction	Extruded aluminum alloy
Motherboard	CPU	Marvell® ARMADA® 88F7040 1.4 GHz (quad-core)
	Chipset	SoC
	System Memory	1 x On-board DDR4 2400 (4GB pre-installed)
Storage	eMMC	1 x eMMC5.1 (32GB pre-installed)
	Micro SD	1 x Micro SD slot
I/O Interfaces	USB	2 x USB 3.2 Gen1
	Ethernet	2 x R-J45: 2 x GbE by Marvell® 88E1512 1 x SFP+* 1 x 10GbE by Marvell® 88F7040
	COM Port	1 x Console (RJ-45) 2 x RS232/422/485 with AFC (DB9 with 2.5kV isolation) 2 x RS232 (DB9 with 2.5kV isolation)
	Wireless	1 x 802.11a/b/g/n/ac (optional)
	TPM	1 x TPM 2.0 (2 x 10 pin) (optional)
	Other	1 x Power button 1 x Reset button 1 x Clear CMOS 1 x LED for Power (Green) 1 x LED for Storage (Yellow) 1 x LED for Alarm (Red)
	Indicators	Indicators
Expansions	M.2	1 x 2230 A-key (PCIex1/USB 2.0) 1 x 2280 B-key (PCIex1) 1 x 2242/80 B-key with SIM card slot (PCIe*/USB 3.0/USB 2.0)
Power	Power Input	Terminal block: 9 ~ 36V DC
	Power Consumption	36V @ 0.86A
Reliability	Mounting	DIN-Rail
	Operating Temperature	-20 ~ 60 °C with air flow, 10% ~ 95% non-condensing
	Storage Temperature	-40 ~ 80 °C with air flow, 10% ~ 95% non-condensing
	Operating Shock	Half-sine wave shock 5G, 11ms, 100 shocks per axis, IEC68-2-27
	Operating Vibration	MIL-STD-810G 514.6C-1
	Weight (Net/Gross)	1.3KG/ 1.45KG
	Safety/EMC	CE/ FCC
	Watchdog Timer	Programmable 1 ~ 255 sec/min
OS	Supported OS	Ubuntu 18.10

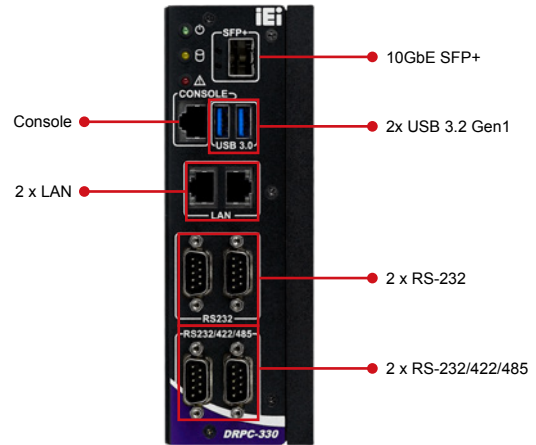
*The 10GbE SFP+ port has no transceiver.

Fully Integrated I/O

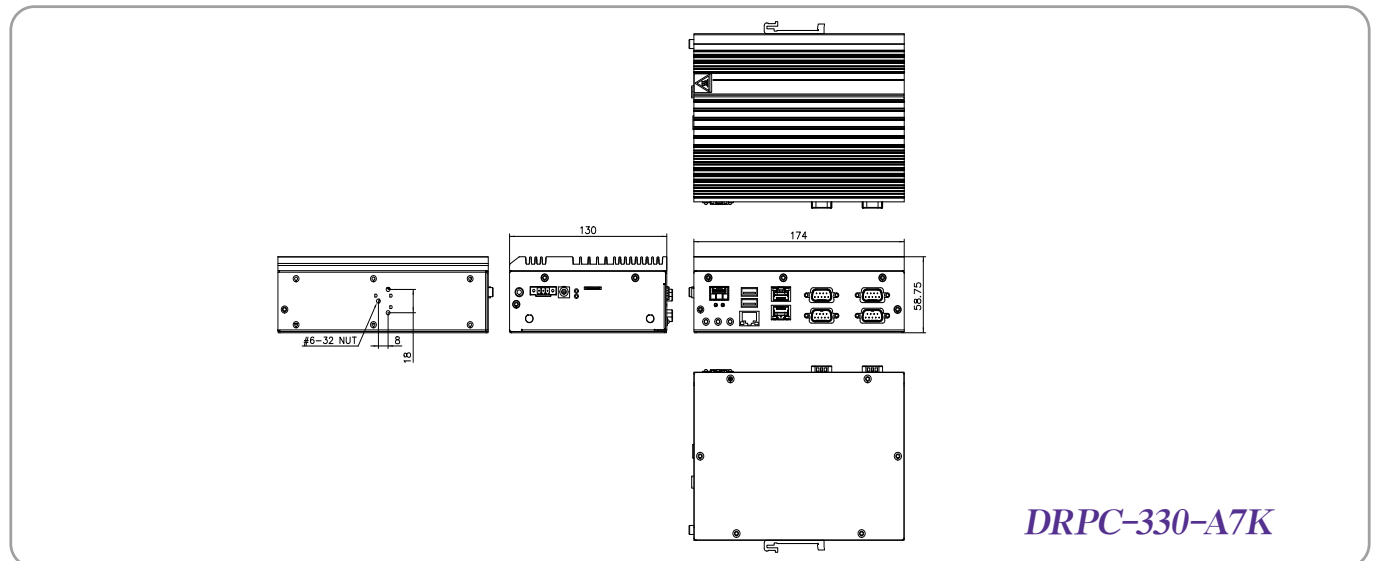
Top View



Front View



Dimensions (Unit: mm)



DRPC-330-A7K

Ordering Information

Part No.	Description
DRPC-330-A7K-A1/4G-R10	Fanless system with Marvell Armada 7040 processor, 4GB DDR4 on-board memory, two 1GbE, one 10GbE via SFP+ (without transceiver), multiple M.2 expansions, COM, 9~36VDC, RoHS

Options

Item	Part No.	Description
Adapter*	63040-010036-210-R	Adapter Power;FSP;FSP036-RHBN3;9NA0362707;;Vin:90~264VAC;36W;Dim:37.8*89.8*27.0mm;Plug=7.5mm;Cable=1500mm;Erp(NO LOAD 0.075W);Vout:12VDC;Φ2.5/Φ5.5/lock;CCL;RoHS
Power cable*	32102-026500-100-RS	WIRE CABLE;POWER CABLE;;2;200MM;18AWG;(A)DC JACK 5.5X2.5, NUT+WASHER ;(B)TERMINAL BLOCK:3P P=3.5;SHANGHAI YING YU;RoHS
Power cord	32702-000200-100-RS	European power cord
USB to console cable	32013-004000-100-RS	Round cable; LAN CABLE; FTDI console cable; 2; 1800MM; (A)USB A TYPE 4P MALE+PCB:FTDI_FT232RL; (B)RJ-45 8P8C; RoHS
Wifi module**	27319-000009-RS	Wireless Lan Module;Wireless LAN & Bluetooth M.2 Module;Sparklan;R9701810011;IEEE802.11a/b/g/n/ac;2.412GHz~2.4835GHz, 5.15GHz~5.85GHz;M.2 2230;;3.3V;22*30*2.15mm;QCNFA364A;QCA6174A-5;2x2 MIMO;Dual Band;WCBN808A-Q2;CCL;CCL;RoHS
Antenna**	32505-000900-100-RS	External Antenna;WLAN;RG 178;108MM;TANK-700-QM67-R10;PEAK GAIN 2.0DBI;Exceltek;2.4-2.5GHz/5.15-5.85GHz;REVERSE SMA PLUG;RoHS
RF cable**	32501-004000-100-RS	RF;RF CABLE;LINE DIAMETER:0.81mm;250MM;50Q;Sparklan;0-6GHz;VSWR≤1.3;I-PEX MHF-4 Plug;REVERSE SMA JACK;NUT x 1;WASHER x 1;RoHS
TPM Module	TPM-IN03-R10	20-pin Infineon SPI TPM2.0 module, software mangement tool, firmware V7.63

*It is required to order Power Cable together with Adapter for power usage.

** Each Wi-Fi module needs two antennas and two RF cables to fully support Wi-Fi function

Packing List

1 x Din-rail mounting bracket	1 x Screw kit
-------------------------------	---------------