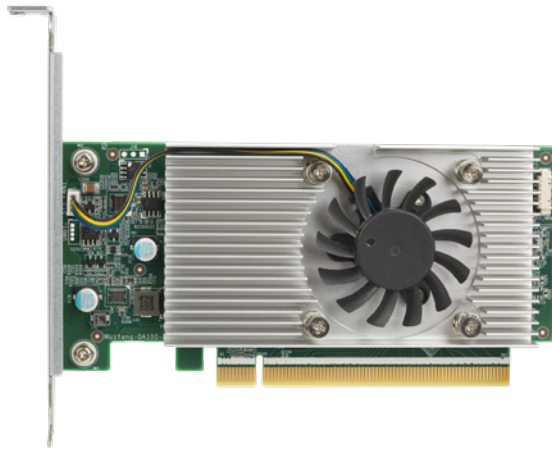


Mustang-QA100-C627 Intel® QAT accelerator for Crypto and Compression with lewisburg chipset, PCIe gen3 x16, RoHS



Features

- 1 x intel Lewisburg chipset C627
- Asymmetric and Symmetric encryption and authentication
- Digital signatures
- RSA, DH, and ECC
- Lossless data compression

Specifications

| Throughput | |
|-----------------------|--------------|
| SSL/IPSec | 100Gbps |
| Compression Deflate | 100Gbps |
| Decompression Deflate | 100Gbps |
| RSA Decrypt 1k-bit | 550K Ops/sec |
| RSA Decrypt 2k-bit | 100 Ops/Sec |

| Specifications | |
|--------------------------|--------------------------------------|
| Main Chip | Intel® C627 Chipset |
| Cooling | Active cooling |
| Interface | PCIe Gen3 x16 |
| Operating Humidity | 0%~90%, non-condensing |
| Operating Temperature | 0°C ~ 40°C |
| Storage Temperature | -40°C ~ 75°C (-40°F ~ 167°F) |
| Dimension | 144.27 x 68.9 x 15.43 (L x W x H mm) |
| Regulation | RoHS |
| Operating system support | Linux |

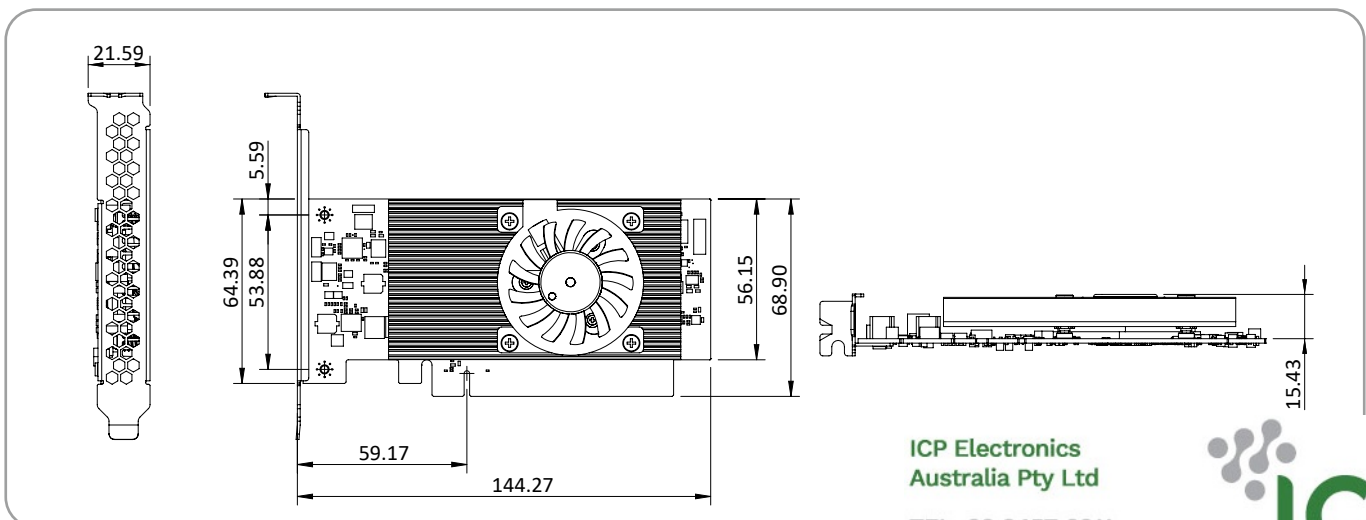
Packing List

| | |
|------------------------|---------|
| Mustang-QA100-C627-R10 | 1 x QIG |
|------------------------|---------|

Ordering Information

| Part No. | Description |
|------------------------|---|
| Mustang-QA100-C627-R10 | Intel® QAT accelerator for Crypto and Compression with lewisburg chipset, PCIe gen3 x16, RoHS |

Dimensions (Unit: mm)



ICP Electronics
Australia Pty Ltd

TEL: 02 9457 6011
sales@icp-australia.com.au
www.icp-australia.com.au

