

FLEX-BX100-ULT5

NEW



Feature

- Fanless embedded system with Intel® Whiskey Lake Intel® Core™ i5-8365UE or Intel® Celeron® 4305UE CPU
- Triple GbE LAN ports
- Support IEEE 802.3bt PoE PD power
- Support NVMe SSD

Specifications

Model	FLEX-BX100-ULT5
CPU	8th Generation Intel® Core™ i5-8365UE 4.10GHz 8th Generation Intel® Celeron® 4305UE 2.00GHz
Memory	2 x 260-pin 2400 MHz dual-channel DDR4 unbuffered SO-DIMM supporting up to 32GB
Graphics Engine	Intel® HD Graphics Gen 9 Engines with 16 low-power execution units, 4K codec decode
Ethernet	Intel® I211/I219 controller
Storage	2.5" HDD/SSD SATA 6Gb/s bay
I/O Ports and Switches	4 x USB 3.2 Gen 2 (10Gbps) 1 x HDMI output 1 x RS-232/422/485 1 x RS-232 3 x GbE LAN (2 for IEEE802.3 PoE PD GbE LAN) 1 x 12V DC jack 1 x Power switch with LED indicator (blue) 1 x AT/ATX switch 1 x Line-out 1 x Reset button
Expansion Slots	1 x NGFF M.2 2230 A Key (PCIe x1, USB signal) 1 x NGFF M.2 2280 M Key (support PCIe 3.0x4 NVMe) 2 x PoE PD module socket (by IEL pin definition)
Thermal Solution	Fanless
Watchdog Timer	Software programmable support 1~255 sec. system reset
Dimensions (mm) (W x H x D)	356.5 x 222 x 44
Net Weight (kgs)	3
Color	PANTONE 296 C
Front Frame	Aluminum
Rear Cover	Sheet Metal
Mouting	Wall mount
Operating Temp.	-10°C ~ 60°C (with air flow)
Storage Temp.	-20°C ~ 70°C
Humidity	10% ~ 95% (non-condensing)
Vibration	5~17Hz, 0.1 double amplitude displacement 17~640Hz 1.5G acceleration peak to peak
Shock	10G acceleration part to part (11ms)
Power Input	12V DC input

Ordering Information

Part No.	Description
FLEX-BX100-ULT5-i5/4G-R10	Fanless embedded system with 8th generation 14nm Intel® Whiskey Lake Core™ i5-8365UE on-board processor (15W TDP, ULT), 4GB DDR4 RAM, 12V DC input, R10
FLEX-BX100-ULT5-C/4G-R10	Fanless embedded system with 8th generation 14nm Intel® Whiskey Lake Celeron® 4305UE on-board processor (15W TDP, ULT), 4GB DDR4 RAM, 12V DC input, R10

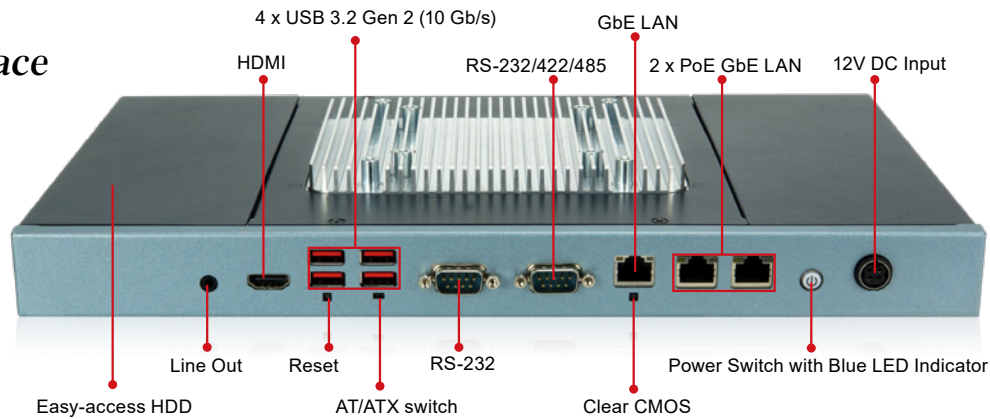
Packing List

Item	Q'ty	Remark
63040-010096-200-RS	1	AC power adapter
AC power cord	1	
Wall mount bracket	2	
Screws (M4*6)	4	for mounting bracket
Screws (M3*4)	4	for HDD installation

Options

Part No.	Description
PoE PD Kit	GPOE-PD-AT01-R10 (PoE IEEE802.3 af/at, 25.5W) GPOE-PD-BT01-R10 (PoE IEEE802.3 af/at/bt, 71W)
Wi-Fi Kit	EMB-WIFI-KIT03E-R10 (2T2R, 802.11ac/a/b/g/n and Bluetooth v4.1, NGFF 2230 Type A-E)

I/O Interface



FLEX-BX100-ULT5 Dimensions (Unit: mm)

