

ICP Electronics  
Australia Pty Ltd

TEL: 02 9457 6011  
sales@icp-australia.com.au  
www.icp-australia.com.au



Proudly Australian-Owned Since 1999

### Features

- Machine Vision Application System
- 7th Gen. Intel Core i3/i5/i7 Processor
- 2 x 260-pin DDR4 SO-DIMM memory
- Fanless Design
- Wide range DC 9~36V power input

### Specifications

System	
CPU	7th Gen. Intel Core i7/i5/i3 Processor
System Chipset	H170
Memory	2 x 260-pin DDR4 SO-DIMM memory, up to 32GB
Outside I/O Port	4 x USB 3.0 type A, 2 x USB 2.0 type A 2 x GbE LAN RJ-45 1 x VGA 1 x HDMI (no printing, with cover) 1 x 3-pin terminal block for DC power input 1 x RS-232/422/485 DB-9 COM Port for COM1, default RS-232 1 x RS-232 DB-9 COM Port for COM2 1 x RS-422/485 for COM3, default RS-485 1 x RS-232 for COM4 1 x Line out 1 x Mic-in 1 x 2-pin power switch connector 1 x 8-bit GPIO 4 x in, 4 x out 1 x Power button with light
TPM	TPM 2.0

Storage Space	
HDD	2 x 2.5" SATA3 HDD/SSD bay, Easy-swappable HDD tray

Expansion	
On Board Expansion Bus	2 x full-size Mini-PCIe slot (onboard 1 on top, 1 on bottom)

Power	
Power Input	DC 9~36V

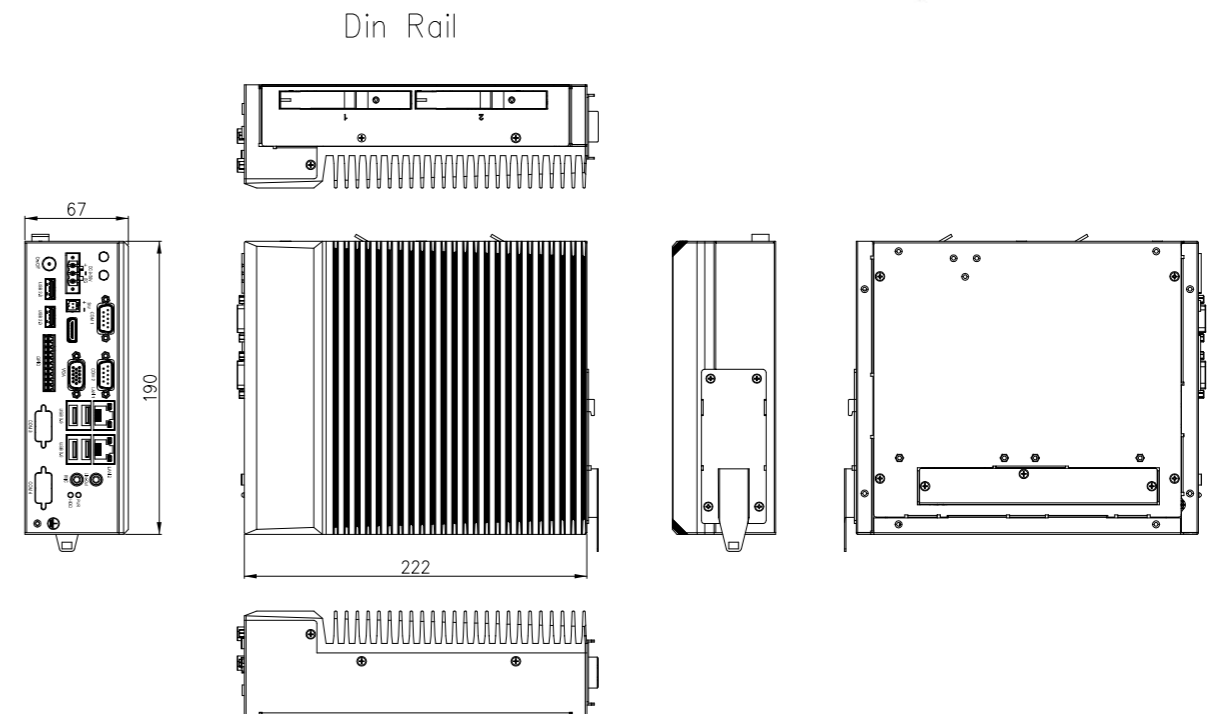
Mechanical	
Construction	Plating Titanium Gray Aluminum Heatsink and Black Steel Chassis
Mounting	Din Rail back side & Wall Mount (option)
Dimensions	222 x 190 x 61 mm
Net Weight	3.1Kg

Environmental	
Operating Temperature	-20°C~60°C(for i3/i5 model) / -20°C~50°C (for i7 model)
Storage Temperature	-40°C~85°C
Storage Humidity	10 to 90%@ 40°C, non-condensing
Certificate	CE/FCC Class A

Operating System Support	
Windows 10 IoT, Windows 7, Linux	

### Dimensions

#### Din Rail



#### Wall Mount

