

## System Specifications

VINO2100		
System Mainboard	IB917AF-7600U	
CPU Type	Intel® Core™ i7-7600U Processor	
System Speed	up to 3.90 GHz	
Memory	2x 4GB DDR4 SO-DIMM	
Construction	Aluminum	
Chassis Color	White	
Rear Panel External I/O	2x RJ45 GbE LAN 1x HDMI 1x DP 4x USB3.0 Type-A 1x D-SUB9 COM1 RS-232/422/485 1x Rock switch 1x Power jack	
Storage	1x 2.5" HDD space default 64GB SSD	
Camera	1x USB 1080P camera with digital microphone	
Speaker	2x speaker	
Expansion Slots	1x miniPCI-E Full-size	
Power Supply	DC 24V	
LCD Panel	Panel Size	21.5" TFT-LCD
	Max. Resolution	1080 x 1920
	Luminance (cd/m2)	1000
	Max. Color	16.2M
	View Angle (H°/V°)	178/178
Touch Screen	Backlight Lifetime (hrs)	50,000
	Touch Type	Projected capacitive
	Touch Interface	USB
Mounting	Light Transmission (%)	86
	Mounting	VESA 100x100/200x100, Desktop mounting holes at bottom
	Dimensions	537.8 x 329.26 x 71.95mm 548.65 x 500 x 242 mm (with stand) 695 x 500 x 306 mm (with stand and thermal camera)
Operating Temperature	0°C~50°C	
Storage Temperature	-20°C~70°C	
Relative Humidity	10%~90% @40°C (non-condensing)	
Vibration	IEC60068-2-64 ed2.0 2008-04	

## Features

- Face Mask Recognition with 90+% Accuracy in 50ms Speed
- Body Temperature test with Measurement Range from 35°C ~42°C (95°F~107.6°F), Precision of ±0.3°C
- Real-Time Detection for Multiple People
- Built-in Intel® OpenVINO-based iVINO AI Recognition Software
- High-Precision Thermal Camera
- IP65 front-panel Waterproof Protection

Shock	MIL-STD-810G 516.6
Certification	CE/FCC class A +LVD

## Software Specifications

iVINO	
Accuracy Rate	90+%, can be improved via AI learning
Response Times	less than 50 ms
Detection Target	up to 20 subjects at the same time
Max. Analysis Image	1920 x 1080
Minimum System Platform	Intel® CPU processors with corresponding operating systems - 6th~8th Generation Intel® Core™ and Intel® Xeon® processor - Intel® Pentium® and Celeron® Processor N Series with Intel® HD Graphics
Minimum System Memory	At least 8GB DDR4 SO-DIMM
Minimum System Storage	At least 1 GB HDD Space for iVINO
System Requirements	Microsoft® Windows® 10 Pro (64 bit) / Microsoft® Windows® 10 Enterprise (64 bit) Microsoft® Visual C++ Redistributable for Visual Studio 2015, 2017 and 2019

## Thermal Camera Specifications

VINOCAM2617	
Image Sensor	Vanadium Oxide Uncooled Focal Plane Arrays
Max. Resolution	160 x 120 (the resolution of output image is 320 x 240)
Pixel Interval	17µm
Response Waveband	8 µm to 14 µm
NETD (Noise Equivalent Temperature Difference)	≤ 40 mk (@25 °C, F# = 1.1)
Lens (Focal Length)	3.1 mm
IFOV	5.48 mrad
Field of View	50° x 37.2° (H x V)
Min. Focusing Distance	0.2 m
Aperture	F 1.1
Optical Module	
Max. Image Resolution	2688 x 1520
Image Sensor	1/2.7" Progressive Scan CMOS
Min. Illumination	Color: 0.0089 Lux @(F1.6, AGC ON) B/W: 0.0018 Lux @(F1.6, AGC ON)

# VINO2100

## IBASE Kiosk

### Intelligent Face Mask and Body Temperature Detection System

Shutter Speed	1s to 1/100,000s
Lens (Focal Length)	4 mm
Field of View	84° x 44.8° (H x V)
WDR	120 dB
Day & Night	IR cut filter with auto switch
<b>Image Function</b>	
Bi-spectrum Image Fusion	Fusion view of thermal view and overlaid details of the optical channel
<b>Smart Function</b>	
Temperature Range	30°C to +45 °C
Temperature Accuracy	±0.5 °C
<b>Infrared</b>	
IR Distance	Up to 40m
IR Intensity and Angle	Automatically adjusted
<b>Integration</b>	
Communication Interface	1x RJ45 10M/100M self-adaptive Ethernet interface. 1x RS-485 interface
<b>General</b>	
Power	12V DC ±20%, two-core terminal block PoE (802.3af, class 3)

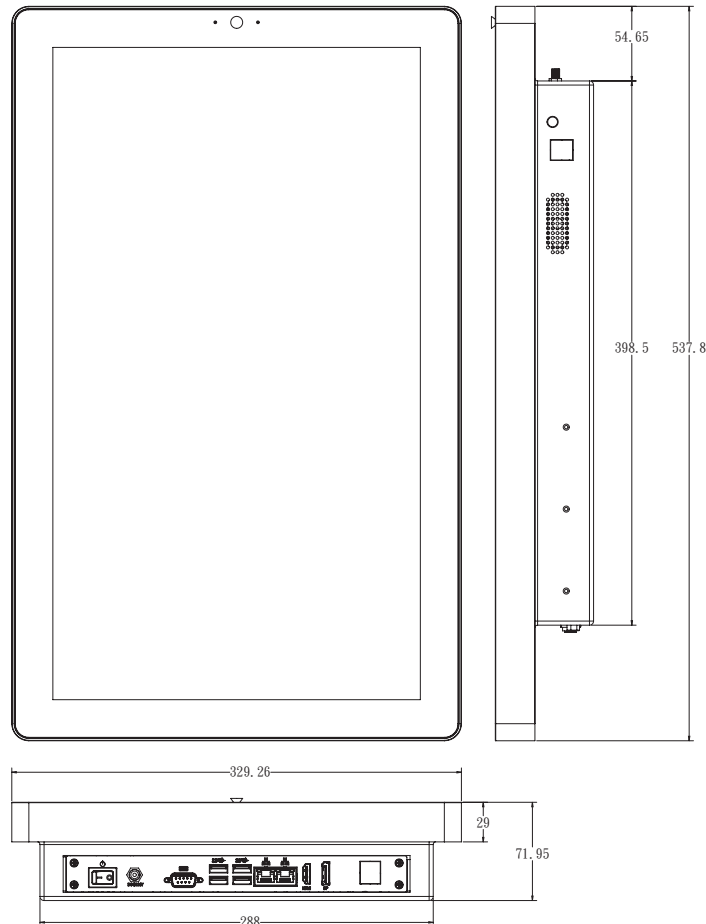
Power Consumption	12V DC ±20%: 0.65 A, max. 7.5 W PoE (802.3af, class 3): 42.5V to 57V, 0.14 A to 0.22 A, max. 8W
Working Temperature/Humidity	Temperature: -20 °C to 50 °C Humidity: 95% or less
Protection Level	IP66 Standard TVS 6000V lightning protection, surge protection, voltage transient protection
Dimensions	358.3 x 113.5 x 115.2 mm (14.10" x 4.47" x 4.53")
Weight	Approx. 1.76 kg (3.88 lb)

### Ordering Information

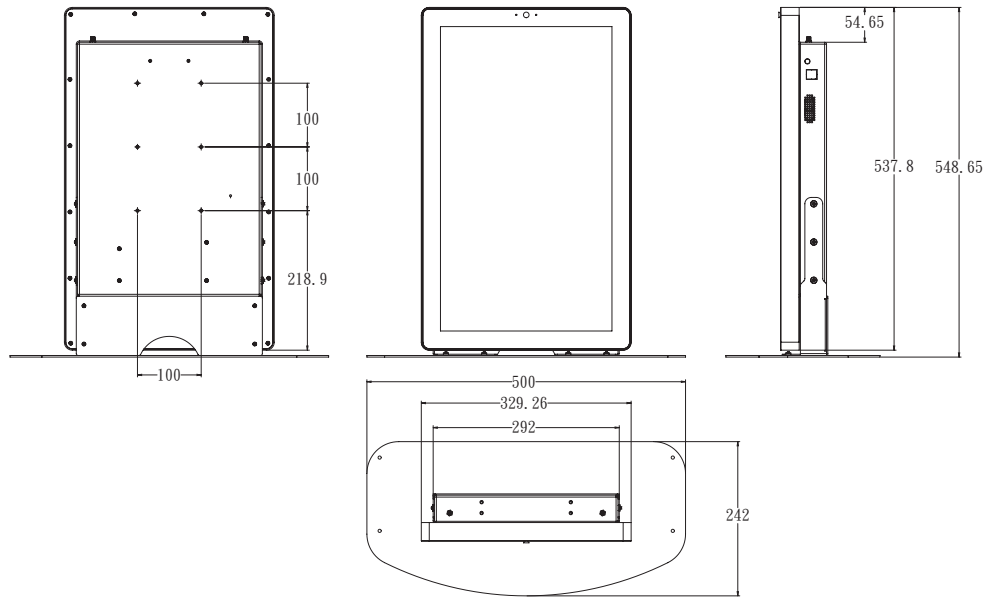
VINO2100	21.5" (1080x1920) Artificial Intelligence Image Recognition System, Intel® i7 7600U processor, 8GB DDR4 memory, 64GB SSD, projected capacitive touch screen, pre-installed Windows 10 and iVINO AI recognition software, w/ 24V 180W adaptor
VINOCAM2617	Thermal camera
CB2617	Thermal camera bracket
VINODKM	Desktop mounting stand

\* Intel is committed to respecting human rights and avoiding complicity in human rights abuses. See Intel's Global Human Rights Principles. Intel's products and software are intended only to be used in applications that do not cause or contribute to a violation of an internationally recognized human right.

### System Dimensions



#### System & Stand Dimensions



#### System & Thermal Camera & Stand Dimensions

