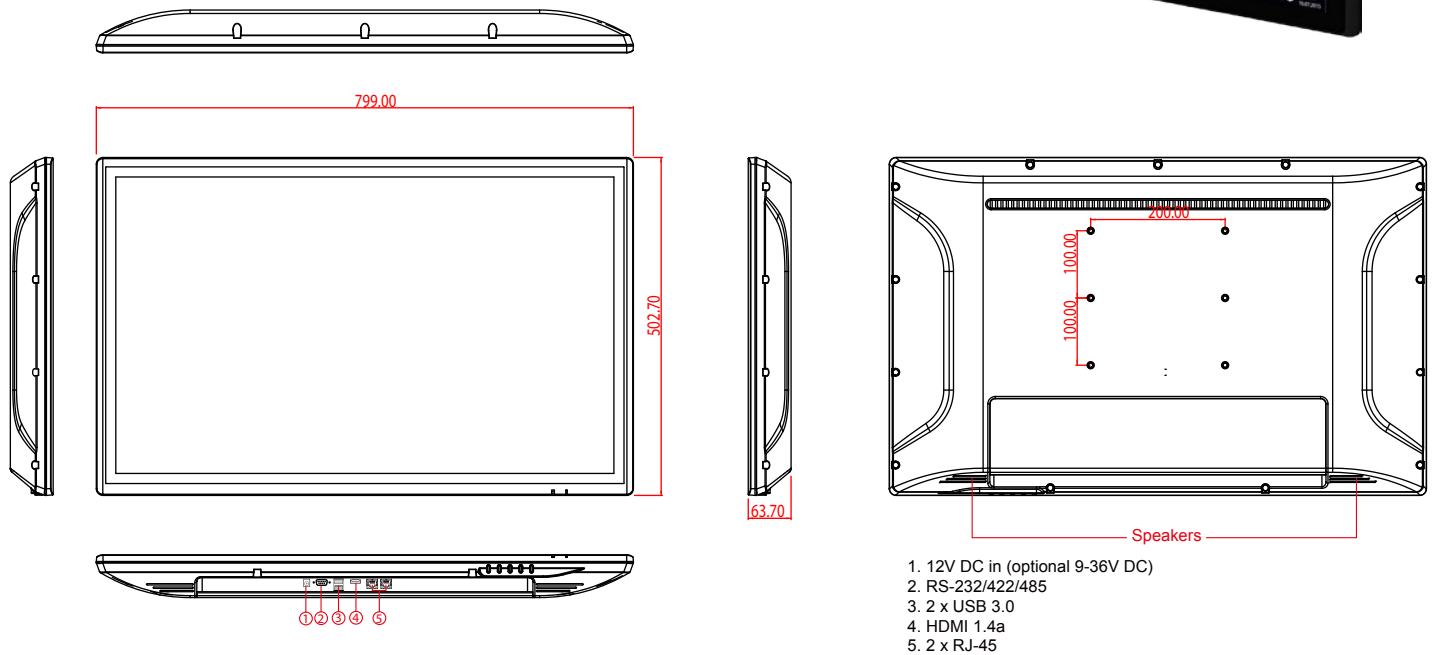


32" Multi-Touch HMI Series- W32IK3S-PTA3

Features

- 32" 1920 x 1080 with P-CAP touchscreen
- High computing performance with 7th Generation(kaby Lake) Intel® Core i5-7200U 2.5GHz processor (Optional Core i7-7500U 2.7GHz)
- Fanless cooling system and ultra-low power consumption
- Front IP65 for protection against water and dust
- A true flat, easy-to-clean front surface with edge-to-edge design
- Plenty of I/O, including 2 x LAN, 1 x COM, 2 x USB 3.0, 1 x HDMI



1. 12V DC in (optional 9-36V DC)
2. RS-232/422/485
3. 2 x USB 3.0
4. HDMI 1.4a
5. 2 x RJ-45

Specifications

System

- Processor : Intel® Core i5-7200U 2.5GHz (turbo to 3.1GHz) (Optional Core i7-7500U 2.7GHz)
- BIOS : Insyde BIOS
- System Chipset : Intel® SoC Integrated
- System Memory : 4GB DDR4-2133 SO-DIMM (Max 16GB)
- Storage : 64GB M.2 B Key SATA III (Options up to 512GB)
- LAN : Intel® Gigabit-LAN Controller I211AT + PHY I219LM
- Audio : Realtek ALC262 HD Audio Codec

Input / Output

- Serial Ports : 1 x RS-232/422/485
- USB Ports : 2 x USB 3.0
- Ethernet : 2 x RJ 45-10/100/1000 Mbps
- Speaker : 2 x 5Watt Speaker
- HDMI : 1 x HDMI 1.4a (Optional)

Environment

- Operating Temperature : -0 °C to 50 °C
- Operating Humidity : 10% to 90% (non-condensing)
- IP Rating : Front IP65
- Shock Operating : 40g for 11ms
- Vibration Operating : 1.48/1.98/2.24 g rms for XYZ/ 5-500Hz

Display Spec :

- Size/Type : 32" TFT
- Resolution : 1920x1080
- Brightness : 400 nits (typ.)
- Contrast Ratio : 4000 : 1 (typ.)
- Viewing Angle : -89~89(H);-89~89(V)
- Display colors : 16.7M (8 bits/ color)
- Touch : 10-point Projected Capacitive Multi-Touch

Mechanical Specification :

- Mounting : VESA Mount (100 x 200mm) (200 x 200mm)
- Dimensions (W x H x D) : 799 x 502.7 x 63.7 (mm)

Power Considerations

- Power Input : 12V DC in (Optional 9-36V DC)

Operating System

- Windows 10 IoT Enterprise