

# 19" Military Grade Display

Military Grade Display

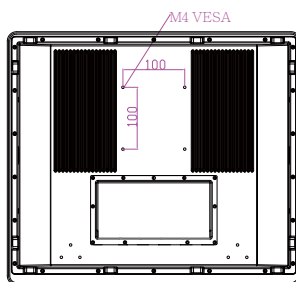
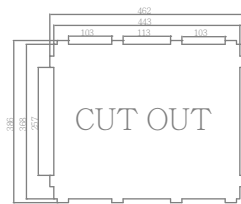
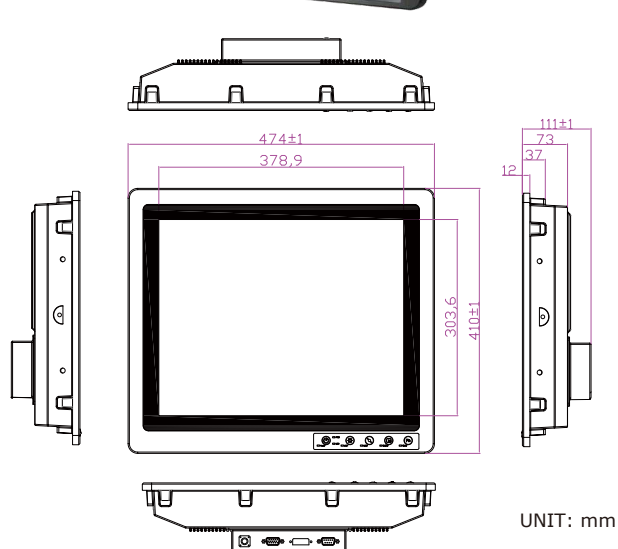
MODEL : R19L100-MLA3

Mechanical Design

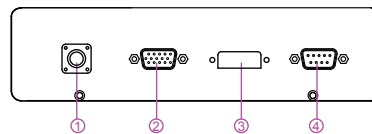


## Features

- Front sealed IP67 aluminum compact housing design
- 19-inch 1280x1024 panel with ITO EMI shielding protection glass
- Fanless, streamlined enclosure for highly efficient heat dissipation
- MIL-STD-810F/G Compliant
- MIL-STD-461E/F Compliant
- Front control membrane keys
- -40°C~70°C wide operating temperature
- Built-in intelligent heater design



## I/O View



1. Military Grade 9~36V isolation DC in
2. VGA input
3. DVI-D input
4. RS232 Remote control (Optional)

\*Note: this is a simplified drawing and some components are not marked in detail. Please contact our sales representative if you need further product information.

## System Specifications :

- Model Name : R19L100-MLA3
- Resolutions : 1280 x 1024
- Brightness : 350 nits
- Contrast Ratio : 1000 : 1 (typ.)
- Viewing Angles : -85~85(H); -80~80(V)
- Max Colors : 16.7M
- Picture in Picture : Support PIP Function (VGA in DVI / DVI in VGA)
- Recommended Resolution : 1280 x 1024 @ 60Hz~75Hz
- Signal Input : 15 pin D-Sub / DVI-D
- Power Input : 9~36V isolation DC in, with External AC to DC Adapter (100-240V AC)
- Protection Glass : Yes

## Accessories :

- 1 x Driver & Manual CD
- 1 x AC to DC 12V 50W Power Adapter with military grade connector
- VGA / DVI / RS232 (Optional) external cable

## Ordering Information :

- R19L100-MLA3/GS Anti-Reflective Glass (Default)
- R19L100-MLA3/ITO ITO EMI shielding Glass \*
- R19L100-MLA3/ATR ELO 5 wired Resistive Touch Sensor (RS232 Interface)
- R19L100-MLA3/ATR-ITO ELO 5 wired Resistive Touch with EMI Mesh Filter

## Environmental(MIL-STD 810F/G Compliance)

- Vibration : MIL-STD-810F/G Method 514.5
- Humidity : MIL-STD-810F/G Method 507.4
- Transit Drop : MIL-STD-810F/G Method 516.5

## Environmental(MIL-STD 461E/F Compliance)

- RE : RE 101 / RE 102
- CE : CE 101 / CE 102
- Optional with EMI Glass / Touch
- CS : RS101 / RS103
- CS : CS 101 / CS 106 / CS 109 / CS 114 / CS 115 / CS 116

## Environment Considerations :

- Operating Temperature : -40°C~70°C
- Storage Temperature : -40°C~70°C
- Operating Humidity : 5 to 95%

## Mechanical Specification :

- Mechanical Housing : Rack Mount
- Dimension(W x H xD) : 474mm x 410mm x 111mm
- Gross Weight : 10.2 kg
- Net Weight : 9.0 kg

## Connectors :

- 1 x D-Sub 15 VGA
- 1 x DVI-D
- 1 x 9~36V DC Power input with isolation
- 1 x RS232 Remote control (Optional)

ICP Electronics  
Australia Pty Ltd

TEL: 02 9457 6011  
sales@icp-australia.com.au  
www.icp-australia.com.au

Proudly Australian-Owned Since 1999



\* If you require external test report, Winnmate will charge NRE fee.

