

### Feature:

- ◆ High Quality 15" Panel, 1024 x 768 resolution, 800 nits
- ◆ Aluminum Housing with Anti-Corrosion Treatments
- ◆ Military Grade connector with VESA mount.
- ◆ MIL-STD-810F/G
- ◆ Built-in Ambient Light sensor



G-WIN

### Option feature:

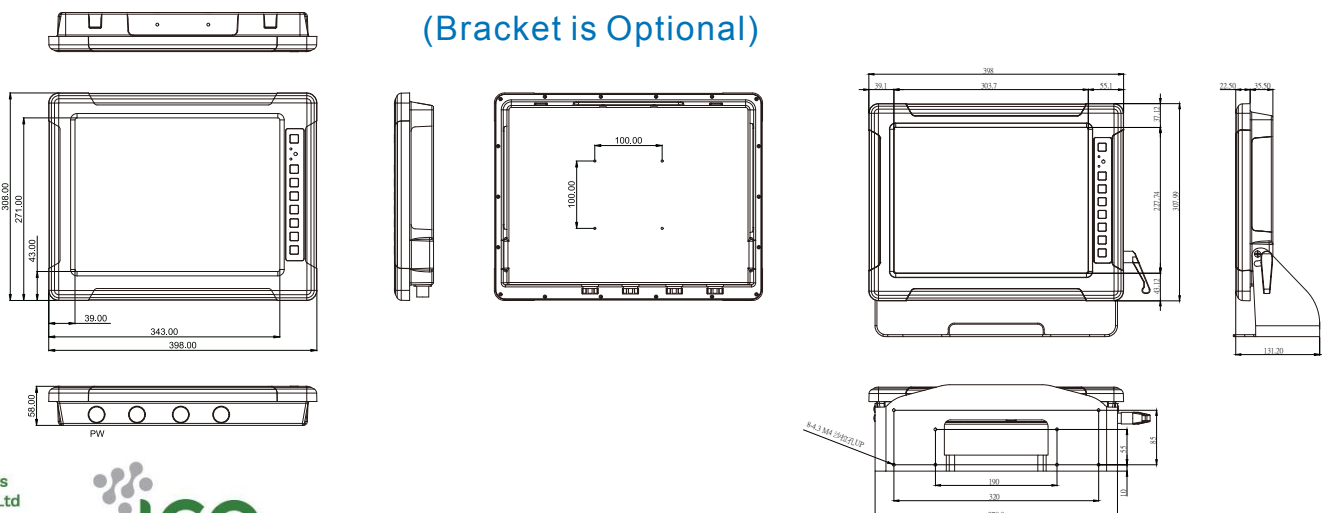
- ◆ 5 Wire Resistive Touch/ Anti-Reflective Protection Glass
- ◆ Wide Range 9 to 36V DC Input Acceptable
- ◆ Customized Military Connector type
- ◆ MIL-STD-461E/F (By Request)
- ◆ EMI Glass/Touch (By Request)



| Test item                    | R15L100-MLA3HB |
|------------------------------|----------------|
| MIL-STD-810F/G *Vibration    | ✓              |
| MIL-STD-810F/G *Shock        | ✓              |
| MIL-STD-810F/G Humidity      | ✓              |
| MIL-STD-810F/G Drop(Package) | ✓              |

\* If you require external test report, Winmate will charge NRE fee.

### Drawing w/ Mounting Bracket



### Display Specification

|                  |                               |
|------------------|-------------------------------|
| Size             | : 15 inch                     |
| Resolution       | : 1024x768 pixels             |
| Panel Brightness | : 1000 ( cd/ m )              |
| Touch            | : 5 Wire Resistive (Optional) |
| Glass            | : AR Glass (Default)          |

### Mechanical and Environment

|                        |  |
|------------------------|--|
| Dimensions (W x L x H) | : 398 mm x 308 mm x 58mm                           |
| Operation Temperature  | : -20°C ~ 60°C; -40°C~70°C (optional)              |
| Storage Temperature    | : -30°C~70°C                                       |
| Operation Humidity     | : 10% to 95% (non condensing)                      |
| Shock*                 | : Operating:40g for 11ms                           |
| Vibration*             | : Operating: 1.62/2.02/2.20g rms for XYZ / 5-500Hz |

### In Front Control

Control button : Power On/ Off, Menu,Auto, Brightness up& down, LED adjustment

LED indicator : Power Status, Sleep status

### Environmental(MIL-STD 810F/G Compliance)

|              |                               |
|--------------|-------------------------------|
| Vibration    | : MIL-STD-810F/G Method 514.5 |
| Humidity     | : MIL-STD-810F/G Method 507.4 |
| Transit Drop | : MIL-STD-810F/G Method 516.5 |

### Environmental(MIL-STD 461 E/F Compliance)

|                                 |   |
|---------------------------------|---|
| RE                              | : RE 101 / RE 102                                     |
| CE                              | : CE 101 / CE 102                                     |
| Optional with EMI Glass / Touch |   |
| RS                              | : RS 101 /RS 103                                      |
| CS                              | : CS 101 / CS 106 / CS 109 / CS 114<br>CS 115 / Cs116 |

### I/O Spec

| Spec             | R15L100-MLA3HB         |
|------------------|------------------------|
| Connector type   | Mil Circular type      |
| VGA              | JY27466T11F35PN        |
| USB/RS232        | JY27466T11F35PN        |
| Power (9~36V DC) | JY27466T09F98PN        |
| Wide Voltage     | 9~36V (Isolated Power) |
| Optional Touch   | Resistive              |
| AR glass         | Yes(default)           |
| EMI glass/Touch  | By Request             |

### Environment Spec

| Test Item        | R15L100-MLA3HB         |
|------------------|------------------------|
| Dust/Water proof | IP 65 (except IO part) |

### Front OSD control function:

