

# R10IWK8M-RTT2ML, 10.4-inch Ultra Rugged Tablet

Military-Grade Tablet Ready for Challenging Tasks and Tough Environments

The R10IWK8M-RTT2ML is an 10.4-inch ultra-rugged tablet with a robust set of features designed to handle the toughest tasks while providing high tech solutions that increase productivity, improve safety, and reduce operational costs. The processing power comes from Intel's 8th generation Core i5-8265U Whiskey Lake in a magnesium aluminum housing with protective rubber for military standard ruggedness. The R10IWK8M-RTT2ML is a no-nonsense, field ready ultra-rugged tablet that can act as a powerful workstation in an easy to use package.



## Highlights

- 8<sup>th</sup> Gen. Intel® Core™ i5-8265U, 1.6 GHz (turbo up to 3.90 GHz)
- 10.4" 1024 x 768 Resolution Transflective TFT-LCD Panel
- With daylight-readable screen 700 nits optical bonding for clarity increasing and readability enhancing
- Ecological seals protect ports as well as connectors from moisture and dust
- Adjustable Kickstand that is Convertible to a handle
- Magnesium Alloy Housing with All-Around Elastomeric Rubber
- MIL-STD-38999 connector for LAN/USB2.0, RS232/RS422 and Power Input

ICP Electronics  
Australia Pty Ltd

TEL: 02 9457 6011  
sales@icp-australia.com.au  
www.icp-australia.com.au



Proudly Australian-Owned Since 1999

# R101WK8M-RTT2ML, 10.4-inch Ultra Rugged Tablet

Military-Grade Tablet Ready for Challenging Tasks and Tough Environments

## Display Specification

|                  |                 |
|------------------|-----------------|
| Resolution       | 1024 x 768      |
| Contrast Ratio   | 1000:1          |
| Panel Brightness | 700 nit         |
| Viewing Angle    | 88/88/88/88     |
| Touch            | Resistive Touch |

## System Specification

|                  |  |
|------------------|--|
| Processor        | Intel® Core™ i5-8265U Whiskey Lake, 1.6 GHz (Turbo up to 3.90 GHz) |
| System Memory    | 4GB SODIMM DDR4-2400 (up to 16GB) <sup>1</sup>                     |
| Storage 1        | 1 x 128GB M.2 SSD (up to 512GB)                                    |
| Storage 2        | Optional M.2 SSD (up to 512GB)                                     |
| Operating System | Windows 10 IoT Enterprise  |

## Interface

|                         |   |
|-------------------------|---|
| USB                     | 2 x USB 3.0                                       |
| Memory Card Slot        | 1 x Micro SD Card Slot                            |
| SIM card slot           | 1 x Micro SIM Card Slot                           |
| MIL-STD-38999 connector | 1 x DC input<br>1 x LAN/USB2.0<br>1 x RS232/RS422 |

## Audio

|         |                    |
|---------|--------------------|
| Speaker | 2 x 1 Watt Speaker |
|---------|--------------------|

## Cameras (Optional)

|              |                    |
|--------------|--------------------|
| Front Camera | 2MP                |
| Rear Camera  | 5MP with autofocus |

## Wireless Communications

|           |  |
|-----------|--|
| WWAN      | Optional 4G/ LTE or 3G   |
| WLAN      | 802.11 a/b/g/n/ac  |
| Bluetooth | Bluetooth  |
| GPS       | u-Blox Neo-M8N, supports GPS (Optional GLONASS, Galileo, BeiDou) |

## Keyboard and Input

|                  |  |
|------------------|--|
| Physical Buttons | 1 x Power, 1 x Menu, 3 x Function Key,<br>2 x Brightness Control Key |
| LED Indicators   | Power, Battery, HDD, RF  |
| Touch            | Resistive Touch  |

## Mechanical and Environment

|                       |  |
|-----------------------|--|
| Dimensions            | 266 x 222 x 50.5 mm  |
| Weight                | 2.39 kg  |
| Housing               | Plastic front cover and Alu-Mg Alloy rear cover with Protective Rubber |
| Operating Temperature | -20°C to 60°C (AC Mode), -10°C to 50°C (Battery Mode)                  |
| Storage Temperature   | -30°C to 70°C  |
| Operating Humidity    | 10 to 90% RH, non-condensing   |
| Shock                 | MIL-STD-810G Method 516.6 Procedure I                                  |
| Vibration             | MIL-STD-810G Method 514.6 Procedure I                                  |
| Drop                  | MIL-STD-810G Method 516.6, 4ft to concrete                             |
| IP Rating             | Default IP54   |

## Power Management

|                        |   |
|------------------------|---|
| Power Input            | 9-36V DC in                                 |
| Battery                | 11.1V, 5200mAh Lithium-Ion Battery (6cells) |
| Battery Operating Time | 8 hours <sup>1</sup>                        |
| Power Consumption      | 15W   |

## Security Function

|          |                                    |
|----------|------------------------------------|
| Security | Trusted platform module (TPM) V2.0 |
|----------|------------------------------------|

## Standards and Certification

|        |     |
|--------|-----|
| EMC    | FCC |
| Safety | CE  |

## Accessories

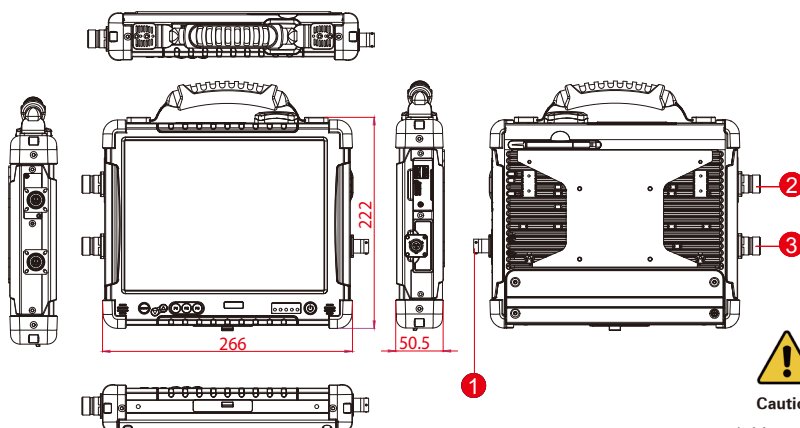
### Standard Accessories

Adapter and Power Cord  
Standard Battery  
Quick Start Guide  
Manual & Driver CD  
Touch Stylus  
MIL-STD-38999 cable for External connecting

### Optional Accessories

Adjustable Kickstand  
Multi-functional Desktop Docking station  
Vehicle Mounting Charger Kit  
Car Power Charger  
Hand Strap  
Shoulder Strap  
Soft Shell Case  
Carry Bag

## Drawing<sup>2</sup>



- 1 DC 9-36V Input
- 2 LAN/USB 2.0
- 3 RS232/422

\*MIL-STD-38999 connector for LAN/USB2.0, RS232/RS422 and DC Power Input.



### Caution

Do Not Expose the Battery Pack to Excessive Heat, or Extreme Heat (Near Fire, in Direct Sunlight for example)  
Do not expose bare skin to this product when handling this unit in extreme hot or cold environments

1. Measured at dimming LCD brightness. Varies depending on the usage conditions, or when an external device is attached.
2. This is a simplified drawing and some components are not marked in detail.

ICP Electronics  
Australia Pty Ltd

TEL: 02 9457 6011  
sales@icp-australia.com.au  
www.icp-australia.com.au



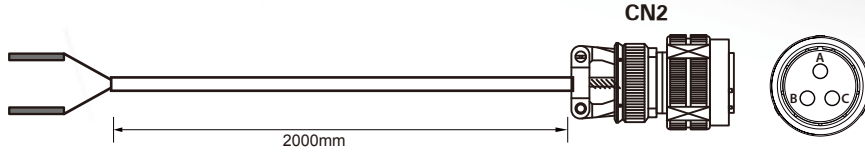
Proudly Australian-Owned Since 1999

# R10WK8M-RTT2ML, 10.4-inch Ultra Rugged Tablet

Military-Grade Tablet Ready for Challenging Tasks and Tough Environments

## Pin Definition

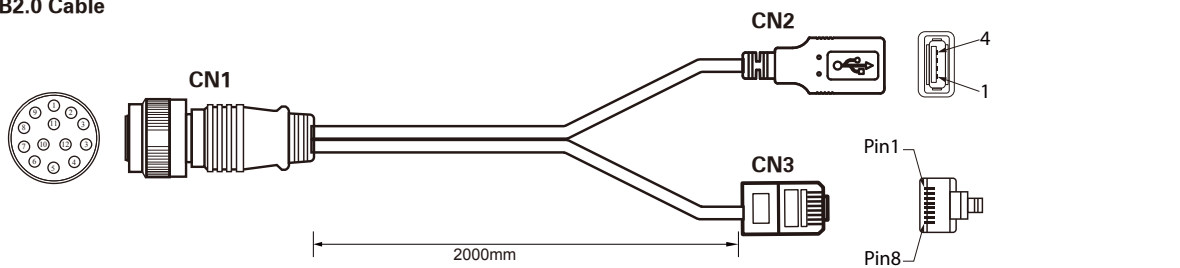
### Power Cable



| Pin No | Symbols | Color |
|--------|---------|-------|
| OPEN   | VCC     | White |
| OPEN   | GND     | Black |

| Pin No | Symbols | Color |
|--------|---------|-------|
| CN2-A  | VCC     | White |
| CN2-B  | GND     | Black |

### LAN/USB2.0 Cable

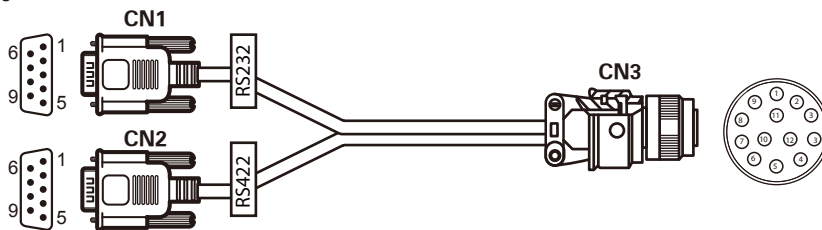


| Pin No | Symbols | Color        |
|--------|---------|--------------|
| CN1-1  | USB_5V  | Red          |
| CN1-2  | USB_GND | Black        |
| CN1-3  | USB_D-  | White        |
| CN1-4  | USB_D+  | Green        |
| CN1-5  | DA+     | Orange/White |
| CN1-6  | DA-     | Orange       |
| CN1-7  | DB+     | Green/White  |
| CN1-8  | DC+     | Blue         |
| CN1-9  | DC-     | Blue/White   |
| CN1-10 | DB-     | Green        |
| CN1-11 | DD+     | Brown/White  |
| CN1-12 | DD-     | Brown        |
| CN1-13 | NC      |              |

| Pin No | Symbols | Color        |
|--------|---------|--------------|
| CN2-1  | USB_5V  | Red          |
| CN2-4  | USB_GND | Black        |
| CN2-2  | USB_D-  | White        |
| CN2-3  | USB_D+  | Green        |
| CN3-1  | DA+     | Orange/White |
| CN3-2  | DA-     | Orange       |
| CN3-3  | DB+     | Green/White  |
| CN3-4  | DC+     | Blue         |
| CN3-5  | DC-     | Blue/White   |
| CN3-6  | DB-     | Green        |
| CN3-7  | DD+     | Brown/White  |
| CN3-8  | DD-     | Brown        |

Twist  
Twist  
Twist  
Twist

### RS232/RS422 Cable



| Pin No | Symbols    | Color         |
|--------|------------|---------------|
| CN1-9  | RS232_RI   | No assignment |
| CN1-1  | RS232_DCD  | No assignment |
| CN1-2  | RS232_RXD  | No assignment |
| CN1-3  | RS232_TXD  | No assignment |
| CN1-5  | GND        | No assignment |
| CN1-4  | RS232_DTR  | No assignment |
| CN1-6  | RS232_DSR  | No assignment |
| CN1-7  | RS232_RTS  | No assignment |
| CN1-8  | RS232_CTS  | No assignment |
| CN2-1  | RS422_TX2- | No assignment |
| CN2-2  | RS422_TX2+ | No assignment |
| CN2-3  | RS422_RX2+ | No assignment |
| CN2-4  | RS422_RX2- | No assignment |
| CN2-5  | GND        | No assignment |

| Pin No | Symbols    | Color         |
|--------|------------|---------------|
| CN3-1  | RS232_RI   | No assignment |
| CN3-2  | RS232_DCD  | No assignment |
| CN3-3  | RS232_RXD  | No assignment |
| CN3-4  | RS232_TXD  | No assignment |
| CN3-5  | GND        | No assignment |
| CN3-6  | RS232_DTR  | No assignment |
| CN3-7  | RS232_DSR  | No assignment |
| CN3-8  | RS232_RTS  | No assignment |
| CN3-9  | RS232_CTS  | No assignment |
| CN3-10 | RS422_TX2- | No assignment |
| CN3-11 | RS422_TX2+ | No assignment |
| CN3-12 | RS422_RX2+ | No assignment |
| CN3-13 | RS422_RX2- | No assignment |
| CN3-5  | GND        | No assignment |

