

Military Grade Rack Mount LCD

ICP Electronics
Australia Pty Ltd

TEL: 02 9457 6011
sales@icp-australia.com.au
www.icp-australia.com.au

Proudly Australian-Owned Since 1999



Rack Mount LED Monitor

32"

Specifications

RoHS
COMPLIANT
2011/65/EU

Model Name	W32L100-RKA3ML
Backlight	LED
Viewable Size Image	32"
Active Display Area(mm)	698.4(H)x 392.85 (V)
Pixel Pitch(mm)	0.3637(H) x 0.3637(V)
Number of Pixels	1920 x 1080
Contrast Ratio	4000:1(typ.)
Response Time	5 ms
Refresh Rate	min. 100Hz
Display Color	16.7M
Brightness	400 nit
Viewing Angle(CR>=10)	-89~89(H); -89~89(V)
Synchronization Range Horizontal/Vertical	31.5~80.0KHz/60~75Hz
Recommended Resolution	1920 x 1080 @60Hz
Signal Input	1 x D-Sub15 (VGA) 1 x DVI-D 1 x HDMI (Optional)
Power Source	AC 100~240V, Universal, $\pm 10\%$ DC 24V, $\pm 10\%$ (Optional)
Power Consumption	53W typical, normal operation
Power Management	VESA DPMS Compliant
Plug & Play	VESA DDC 1/2B
Protection Glass	AR Glass

- Anti-Corrosion Housing / Fanless
- Compliant with MIL-STD-810G/F
- Convenient On-Screen Display Controls
- 220V $\pm 10\%$, 50 $\pm 3\%$ Hz
- Built-in Light Sensor for auto brightness control
- Military Grade Power Connector (MIL-DTL-38999/1)
- Standard AR Glass

Environmental(MIL-STD 810F/G Compliance)

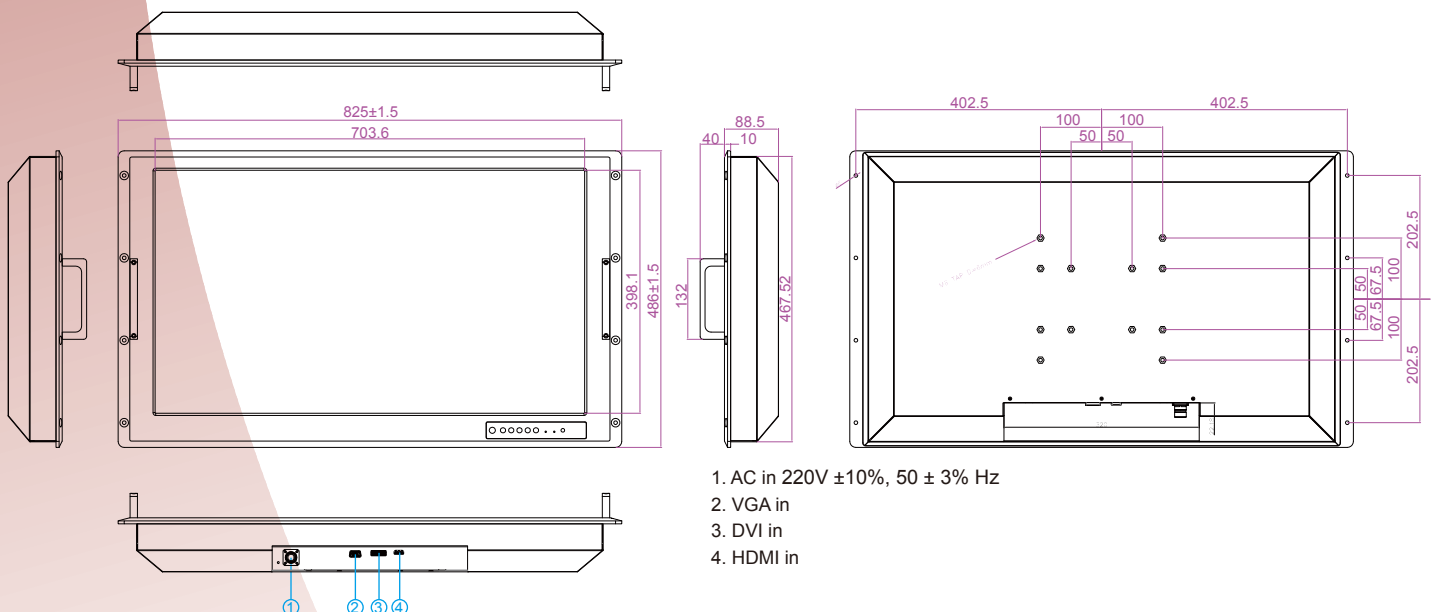
Vibration	MIL-STD-810F/G Method 514.5
Humidity	MIL-STD-810F/G Method 507.4
Operating Temperature	0°C~50°C
Storage Temperature	-10°C~60°C
Operating Humidity	95%RH $\pm 3\%$
IP Rating	Front IP65, Back IP54

Environmental(MIL-461E/F Compliance)

RE	RE101 / RE102
CE	CE 101 / CE102

* If you require external test report, Winmate will charge NRE fee.

Mechanical Drawing



* Note: this is a simplified drawing and some components are not marked in detail. Please contact our sales representative if you need further product information.