

32" 4K UHD Chassis Display W32L100-PTA1

ICP Electronics
Australia Pty Ltd

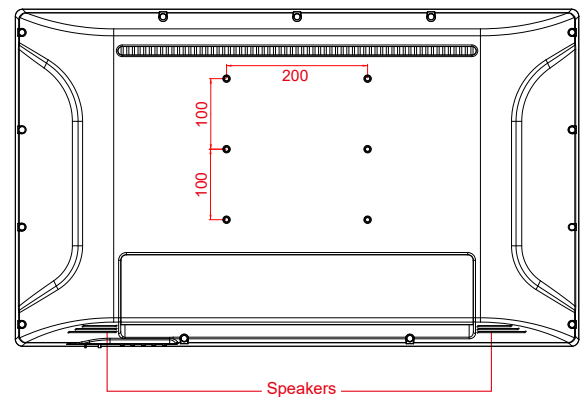
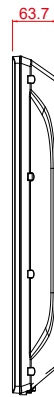
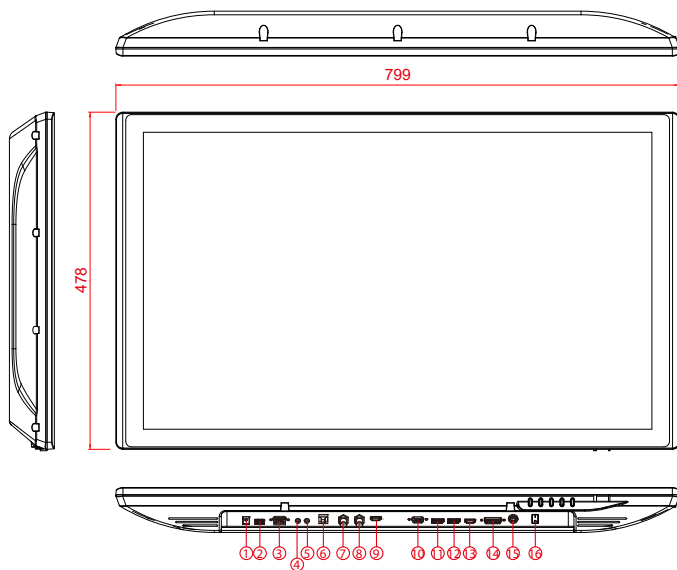
TEL: 02 9457 6011
sales@icp-australia.com.au
www.icp-australia.com.au



Proudly Australian-Owned Since 1999

Features

- 32" Display with 4K UHD (3840 x 2160) native resolution
- Projected Capacitive Touch
- Bottom side keys x 5
- Fanless and Ventless design, Easy-to-Clean
- Support VGA , DVI , HDMI (Optional), DP variety signal input
- Support IR Remote controller
- Housing with antimicrobial properties



- | | | |
|-----------------|-------------|-----------------|
| 1. Power 5V Out | 6. RJ-11 | 11. DP 1.2 In |
| 2. USB 2.0 | 7. SDI out | 12. DP 1.2 Out |
| 3. RS-232 | 8. SDI in | 13. HDMI 1.4 |
| 4. Line out | 9. HDMI 2.0 | 14. Dual DVI in |
| 5. Mic in | 10. VGA In | 15. 24 DC in |
| | | 16. Switch |

* Note: this is a simplified drawing and some components are not marked in detail. Please contact our sales representative if you need further product information.

Specifications

Display Spec :

- Size/Type : 32"
- Resolutions : 3840 x 2160
- Brightness : 350cd/m² (typ.) optional 700cd/m²
- Contrast Ratio : 1000 : 1 (typ.)
- Viewing Angle : -89~89(H);-89~89(V)
- Max Colors : 1.07B
- Touch (Optional) : Projected-Capacitive Touch

Power Specification :

- Power Input : 24V DC in 150W, with external 110-240V AC to DC Adapter
- Power Consumption : 55 W typical, normal operation

Environment Considerations :

- Operating Temperature : 0 °C to 35 °C
- Operating Humidity : up to 95%
- IP Rating : Front IP65

I/O Specification

- Input Signal : 3G SDI
: VGA
: HDMI 2.0
: Dual DVI in
: DP 1.2
: HDMI 1.4 (Optional)
: Audio In
: USB 2.0
: RS-232
: RJ-11
- Output Signal : DP (Multi-Stream Transport)
: Audio Out
: 5V out
: 3G SDI (Loop Through), support 1080P
- Speaker : 2 x 5W speaker

Mechanical Specification :

- Mounting : VESA Mount (100 x 200mm)
(200 x 200mm)
- Dimensions (W x H x D) : 799 x 478 x 63.7 (mm)

