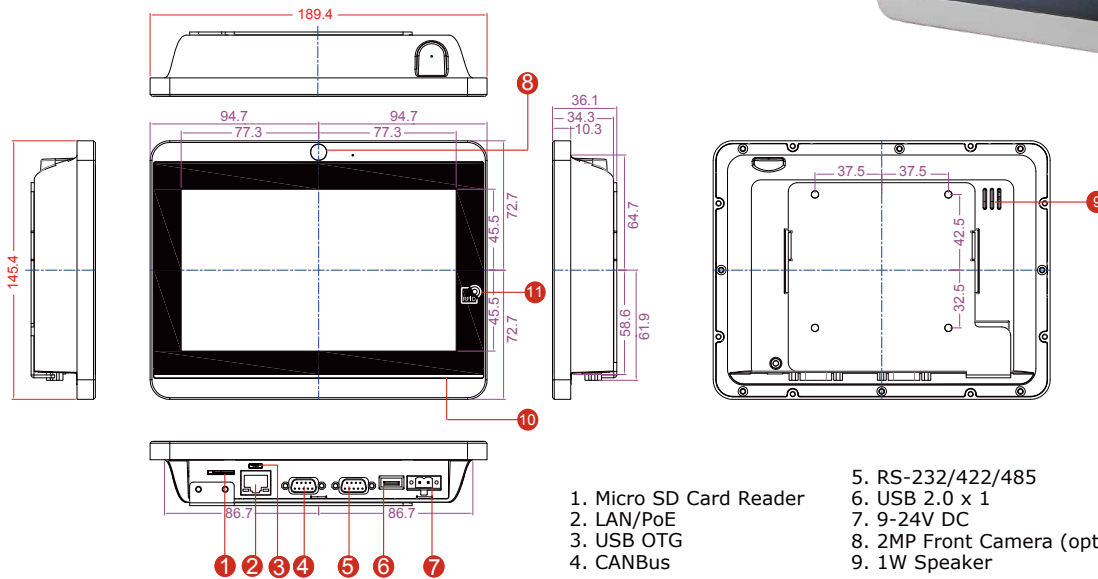


7" S-Series HMI - W07FA3S-PC01AC-PoE

Features

- 7" 1024 x 600 Resolution with Projected Capacitive Multi-Touch (P-CAP)
- Fanless cooling system and ultra-low power consumption
- Built-in RGB LED Light Bar Indicator
- Support PoE
- Optional 2MP Front Camera
- Optional HF RFID Reader
- Stylish design for room booking, access control and room information applications



1. Micro SD Card Reader
2. LAN/PoE
3. USB OTG
4. CANBus
5. RS-232/422/485
6. USB 2.0 x 1
7. 9-24V DC
8. 2MP Front Camera (optional)
9. 1W Speaker
10. RGB LED Light Bar
11. HF RFID Reader (optional)

Specifications

System		Display	
• Processor	: Freescale Cortex A9 i.MX6 Dual Core 1GHz (Optional Quad Core)	• Size/Type	: 7" TFT (Widescreen)
• System Memory	: 1GB LPDDR3 (Optional 2GB LPDDR3)	• Resolution	: 1024 x 600
• Storage	: 16 GB eMMC (default), Micro SD card	• Brightness	: 1000 cd/m (typ.)
Input / Output		• Contrast Ratio	: 500:1 (typ.)
• Serial Ports	: 1 x RS-232/422/485	• Viewing Angle	: -75~75(H); -75~70(V)
• USB Ports	: 1 x USB 2.0 host, 1 x USB OTG	• Max Colors	: 16.7M
• SD Card Slot	: 1 x Micro SD Card Slot	• Touch	: Projected Capacitive Multi-Touch (P-CAP)
• Ethernet	: 1 x RJ 45-10/100/1000 Mbps LAN support PoE function	Mechanical Specification	
• Speaker	: 1 x 1 Watt Speaker	• Cooling System	: Fanless design
• CANBus	: 1 x CANBus	• Mounting	: VESA Mount (75x75mm), Panel Mount
Environment		• Dimensions(W x H xD)	: 189.4 x 145.4 x 36.1 (mm)
• Operating Temperature	: 0 °C to 50 °C	• Cutout Dimensions (W x D):	: 131.4 x 175.4 (mm)
• Operating Humidity	: 10% to 90% (non-condensing)	Power Considerations	
• IP Rating	: Front: IP65 water and dust proof Full: IP22	• Power Input	: 9-24V DC
Software Support		• Power Over Ethernet	: Power Device (PD) follows IEEE 802.3at (25 W), IEEE 802.3af (15 W)
• Programming Guide	: Android 6.0 (Default) Linux Kernel 4.1.15, QT5.5 (Optional) Ubuntu 16.04 (Optional)	• Power Consumption	: 10W
		Peripheral (Optional):	
		• RFID	: HF RFID Reader 13.56 MHz
		• Front Camera	: 2MP Front Camera