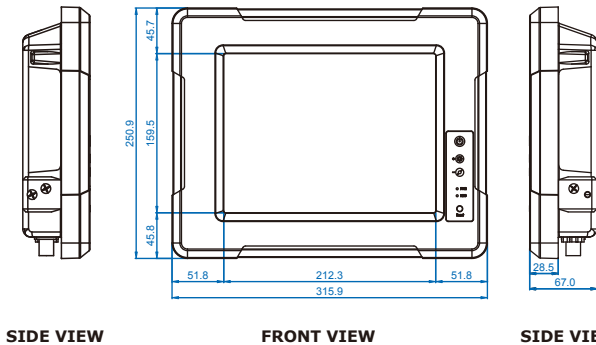


G-WIN[®] Military Panel PC

ruggedized

Model Number : R10IB3S-MLT2

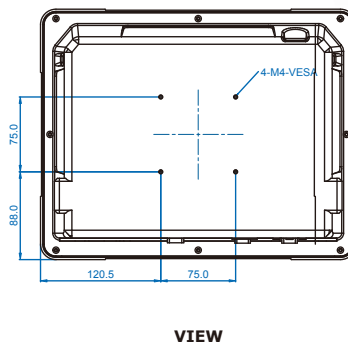


SIDE VIEW

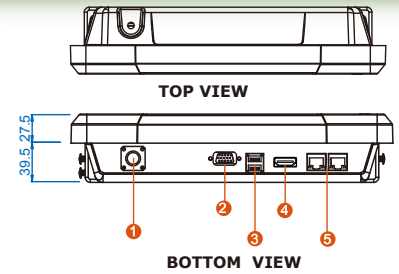
FRONT VIEW

SIDE VIEW

Drawing / Mounting Bracket



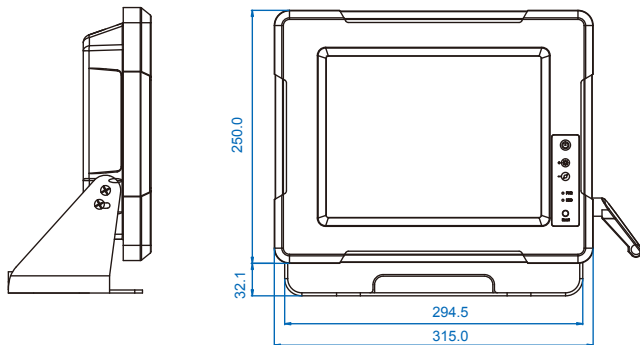
VIEW



TOP VIEW

BOTTOM VIEW

1. Military Grade Lockable Power Connector
2. RS232/422/485
3. 1xUSB 3.0, 1xUSB 2.0
4. HDMI
5. 2xRJ45



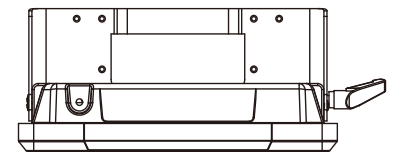
SIDE VIEW

FRONT VIEW

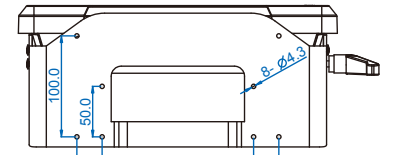
SIDE VIEW

Measurements shown in mm / All Dimensions are ± 0.5 mm

* Note: this is a simplified drawing and some components are not marked in detail. Please contact our sales representative if you need further product information.



TOP VIEW



REAR VIEW

System Specification

Processor	: Intel® Bay Trail N2930 1.83GHz
Chipset	: Bay Trail SoC Chipset
BIOS	: AMI 16Mbit Flash
Memory	: 1xDDR3L 1066 / 1333 MHz SO-DIMM default 4GB, Max. 8GB
Ethernet	: Intel® I210-AT GbE LAN
Audio	: Realtek HD Audio Codec
Storage	: mSATA SSD, default 64GB
Expansion Slot	: 1 x Mini PCIe slot (for wireless module) 1 x Mini PCIe slot (for SATA SSD)

I/O Connectors

I/O Port	: Military Grade Lockable Power Connector 1x RS232/422/485 1x USB 2.0, 1x USB 3.0 1x HDMI (Optional) WLAN antenna SMA in top(Optional)
Back Panel	: 2 x RJ-45(10/100/100 Mbps)

In Font Control

Control Button	: Power On/ Off Reset Brightness Up Brightness Down
LED indicator	: Power On/ Off HDD Status

Display Specification

Size	: 10.4 TFT
Resolution	: 1024 x 768 pixels
Brightness	: 350 cd/m ² (typ)
Contrast Ratio	: 1200 : 1 (typ)
Viewing Angle	: -88~88(H); -88~88(V)
Max. Colors	: 16.2M

Mechanical and Environment

Dimensions (W x L x H)	: 315 mm x 250 mm x 67mm
Power Input	: 12V DC / MIL-grade connector
Power Consumption	: 35W typ.
Operating Temperature	: -20°C ~ 60°C; -40°C~70°C (optional)
Storage Temperature	: -20°C~70°C
Operating Humidity	: 10% to 95% (non condensing)
Mounting	: VESA mount, Vehicle mount
Shock	: Operating:30g for 18ms, 300m/s ²
Vibration	: Operating: 1.60/1.96/2.18 g rms for XYZ / 5-500Hz

Certifications

CE/FCC Class B

Product Optional Items

Mounting Bracket and Kits	One robust bracket with locking handle (Can adjust from -5deg. to 90deg.)
Operation System	Windows Embedded Standard 7 /
Storage	Windows Embedded 8.1 Industrial /Windows 10 IoT Enterprise mSATA SSD up to 256GB
Glass / Touch	3mm Anti-reflective Protection Glass
WLAN	Resistive Touch Screen IEEE802.11 b/g/n for optional
Wide Power Input Range	9V to 36V wide range acceptable for optional

Environmental(MIL-STD 461E/F Compliance)

RE	: RE 101 / RE 102
CE	: CE 101 / CE 102
Optional with EMI Glass / Touch	
RS	: RS101 / RS103
CS	: CS 101 / CS 106 / CS 109 / CS 114 CS 115 / CS 116