

# PuIM-M2-2S

M.2 PCIe SSD expansion card supports two M.2 2280 PCIe NVMe (3.0 x4) SSDs, two PCIe 3.0 x4 host interface



## Features

- Supports two M.2 2280 PCIe NVMe (3.0 x4) SSDs
- M.2 SSD temperature is monitored in real time by sensor IC
- PCIe 3.0 x8
- LED indicator shows the M.2 status
- RoHS compliant

## Specifications

Model Name	PuIM-M2-2S
Interface	IEI Networking Module - PuIM
Onboard IC	N/A
M.2	2 x M key 2260/2280/22110 (PCIe 3.0 x4/NVMe)
PCIe	N/A
Storage Temp.	-20°C ~ 75°C (-4°F ~ 167°F)
Operating Temp.	0°C ~ 40°C (32°F ~ 104°F)
Humidity	5% ~ 90% RH, Non-condensing
Dimensions (mm)	165.50 (L) x 77.8 (W) x 44.2 (H)
Compliance	RoHS

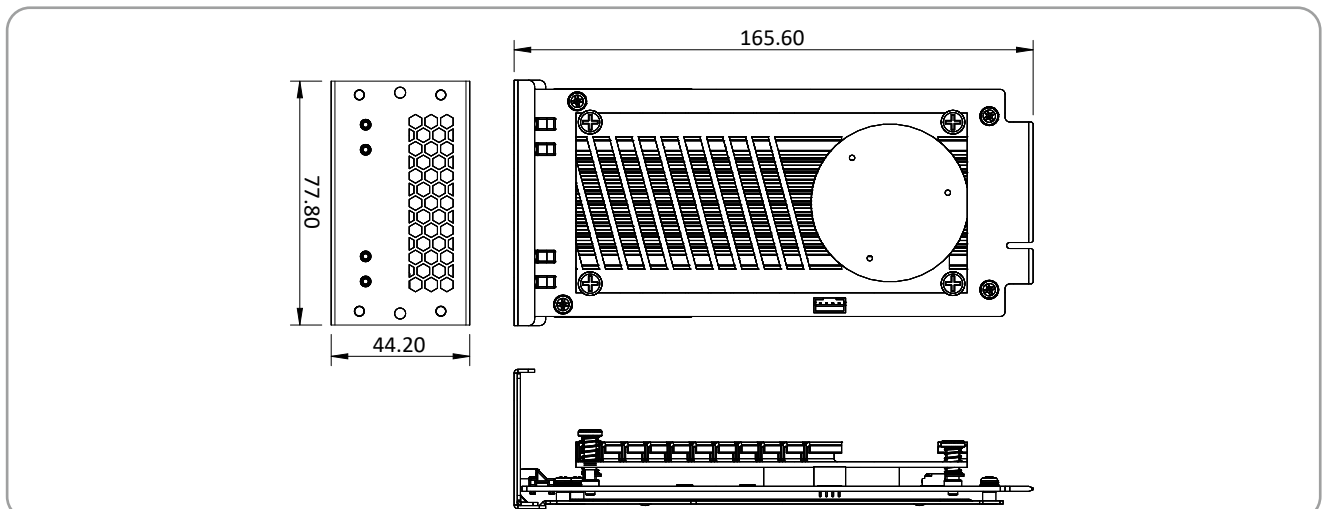
## Packing List

1 x PuIM-M2-2S module	2 x Thermal Pad kit
1 x L-shaped T10 Plum Wrench	4 x M.2 SSD Screw
2 x Torx Screws	1 x QIG

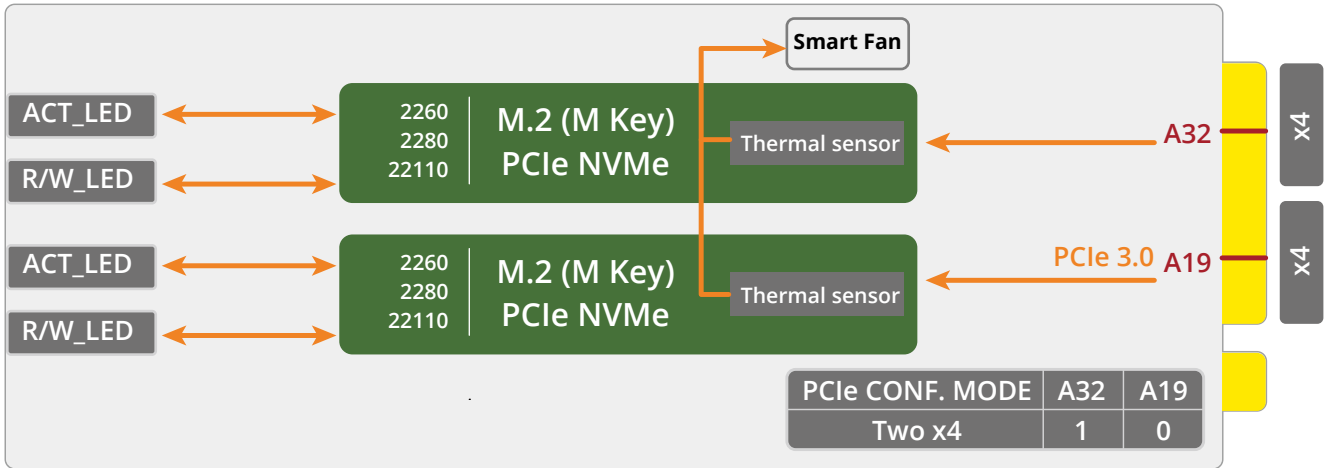
## Ordering Information

Part No.	Description
PuIM-M2-2S-R10	M.2 PCIe SSD expansion card supports two M.2 2280 PCIe NVMe (3.0 x4) SSDs; two PCIe 3.0 x4 host interface, RoHS

## Dimensions (Unit: mm)



## Block Diagram



LED	State	Description
Left	Red <span style="color: red;">■</span>	Active
Right	Green <span style="color: green;">■</span>	Read/Write

## Hardware Installation

Install the PuIM-M2-2S module into the slot of the PUZZLE series. The Slot A supports 8 lanes from CPU (1 PCIe x8 or 2 PCIe x4); the Slot B supports 8 lanes from PCH (2 PCIe x4 or 4 PCIe x2). The PuIM-M2-2S can be installed into the slot A & slot B.

