



ET-2261

ET-2261-16

Ethernet I/O Module with Power Relay Output

Features

- Built-in Web Server
- Support Modbus TCP/UDP Protocols
- Powerful 32-bit MCU Handles Efficient Network Traffic
- 2-port Ethernet Switch (LAN Bypass) for Daisy-Chain Wiring
- Dual Watchdog
- I/O Pair Connection (Push and Polling)
- Easy Firmware Update via Ethernet
- LED Display to Indicate the I/O status
- Wide Operating Temperature Range: -25 ~ +75°C
- Built-in I/O Power Relay Output Channels
- ET-2261: 10-channel
- ET-2261-16: 16-channel



Introduction

The ET-2261/ET-2261-16 provides 10/16 Form A electromechanical Relays Output channels. With 2 Ethernet ports, the ET-2261/ET-2261-16 allows daisy chain connection which permits the flexibility in locating devices, eases installation and lowers infrastructure costs. It features 8 kV ESD protection, 4 kV EFT protection, 3 kV surge and 3750 VDC I/O isolation to enhance noise protection capabilities in industrial environments.

System Specifications

Model	ET-2261	ET-2261-16
System		
CPU	32-bit ARM	
Communication		
Ethernet Port	2 x RJ-45, 10/100 Base-TX, Switch Ports	
Protocol	Modbus TCP, Modbus UDP	
Security	Password and IP Filter	
I/O Pair Connection	Yes (Push, Polling)	
Dual Watchdog	Yes, Module, Communication (Configurable)	
LAN Bypass	Yes	
LED Indicators		
System Running	Yes	
Ethernet Link/Act	Yes	
DI/DO status	Yes	
2-Way Isolation		
Ethernet	1500 Vdc	
I/O	3750 Vdc	
EMS Protection		
ESD (IEC 61000-4-2)	±8 kV Contact for Each Terminal and ±16 kV Air for Random Point	
EFT (IEC 61000-4-4)	±4 kV for Power Line	
Surge (IEC 61000-4-5)	±3 kV for Power Line	
Power		
Reverse Polarity Protection	Yes	
Powered from Terminal Block	+10 ~ +30 Vdc	+10 ~ +48 Vdc
Consumption	3.3 W (Max.)	24 V: 4.32 W (Max.) 48 V: 4.71 W (Max.)
Mechanical		
Dimensions (L x W x H)	127 mm x 33 mm x 99 mm	157 mm x 31 mm x 129 mm
Installation	DIN-Rail Mounting	
Environment		
Operating Temperature	-25 ~ +75°C	
Storage Temperature	-30 ~ +80°C	
Humidity	10 ~ 90% RH, Non-condensing	

I/O Specifications

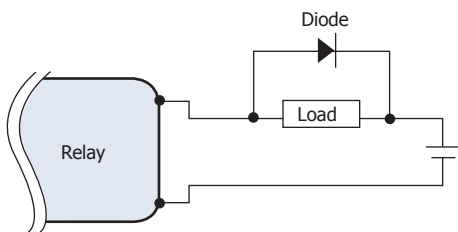
Model	ET-2261	ET-2261-16
Power Relay		
Channels	10	16
Type	Power Relay, Form A (SPST N.O.)	
Contact Rating	5 A @ 250 VAC/24 VDC (Resistive Load)	
Min. Contact Load	10 mA @ 5 V	
Operate Time	10 ms (max.)	
Release Time	5 ms (max.)	
Mechanical Endurance	2 × 10 ⁷ ops.	
Electrical Endurance	10 ⁵ ops.	
Power-on Value	Yes, Configurable	
Safe Value	Yes, Configurable	

Wire Connections

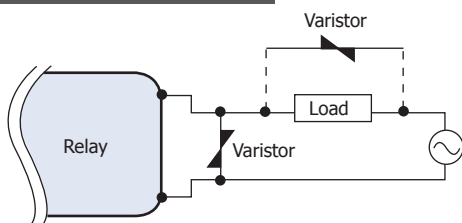
Power Relay	Relay Output
ON State Readback as 1	
OFF State Readback as 0	

Note: When inductive loads are connected to the relays, a large counter electromotive force may occur when the relay actuates because of the energy stored in the load. These flyback voltages can severely damage the relay contacts and greatly shorten the relay life. Limit these flyback voltages at your inductive load by installing a flyback diode for DC loads or a metal oxide varistor for AC loads.

for DC loads

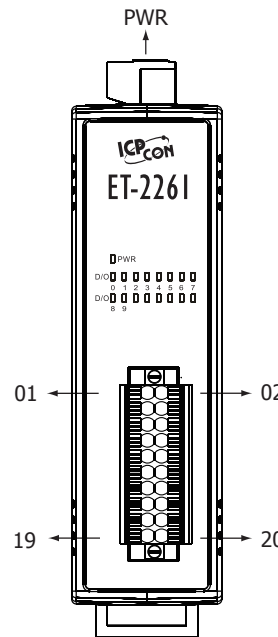


for AC loads



Pin Assignments

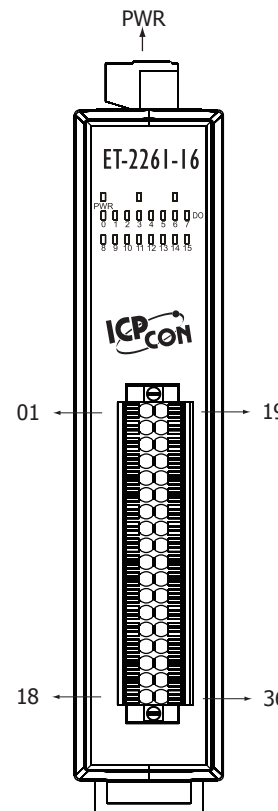
ET-2261



Terminal No.	Pin Assignment
PWR	F.G. GND + Vs
ETH1	
ETH2	

Terminal No.	Pin Assignment	Pin Assignment	Terminal No.
01	NO0	NO5	02
03	COM0	COM5	04
05	NO1	NO6	06
07	COM1	COM6	08
09	NO2	NO7	10
11	COM2	COM7	12
13	NO3	NO8	14
15	COM3	COM8	16
17	NO4	NO9	18
19	COM4	COM9	20

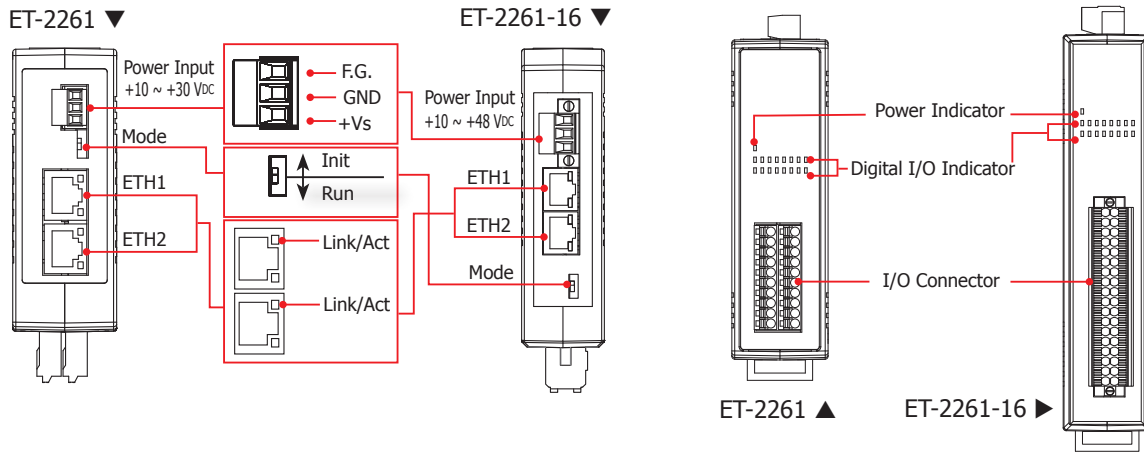
ET-2261-16



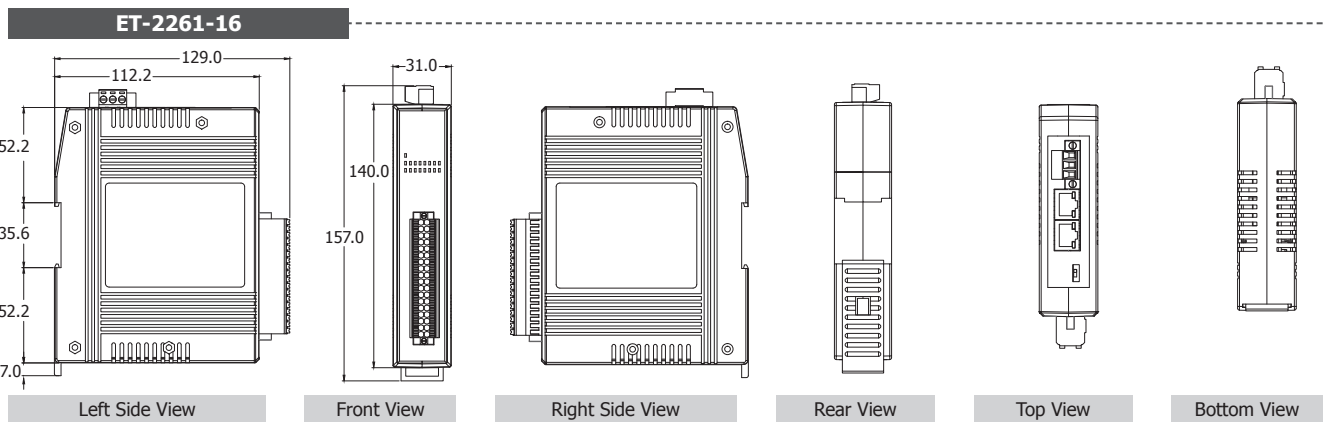
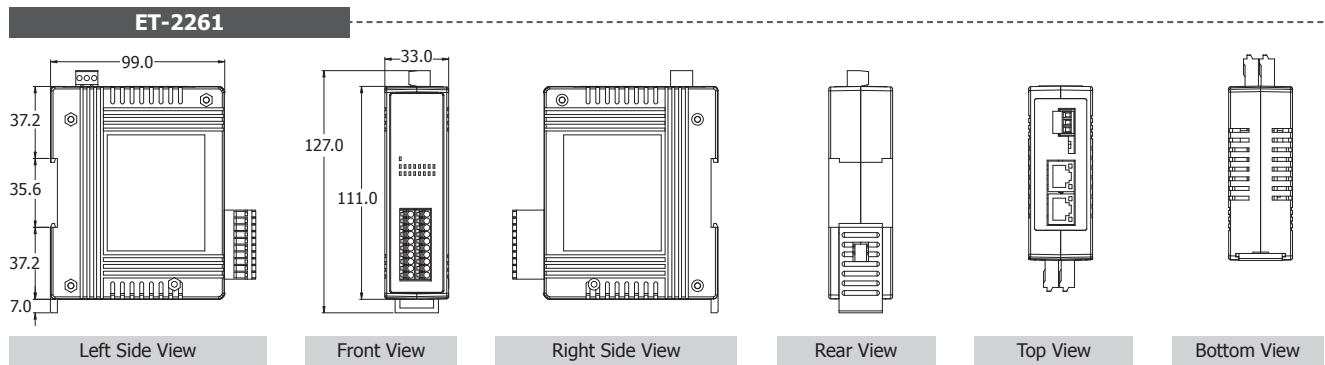
Terminal No.	Pin Assignment
PWR	F.G. GND + Vs
ETH1	
ETH2	

Terminal No.	Pin Assignment	Pin Assignment	Terminal No.
01	NO0	COM0	19
02	NO1	COM1	20
03	NO2	COM2	21
04	NO3	COM3	22
05	NO4	COM4	23
06	NO5	COM5	24
07	NO6	COM6	25
08	NO7	COM7	26
09	N/A	N/A	27
10	N/A	N/A	28
11	NO8	COM8	29
12	NO9	COM9	30
13	NO10	COM10	31
14	NO11	COM11	32
15	NO12	COM12	33
16	NO13	COM13	34
17	NO14	COM14	35
18	NO15	COM15	36

Appearance



Dimensions (Units: mm)



Ordering Information

ET-2261 CR	Ethernet I/O Module with 2-port Ethernet Switch, 10-ch Power Relay Output (RoHS)
ET-2261-16 CR	Ethernet I/O Module with 2-port Ethernet Switch, 16-ch Power Relay Output (RoHS)

Related Products

	NS-205 CR	Unmanaged 5-Port Industrial Ethernet Switch with Power Input +10 ~ +30 VDC (RoHS)
	NS-208 CR	Unmanaged 8-port Industrial 10/100 Base-TX Ethernet Switch with Power Input +10 ~ +30 VDC (RoHS)
	DIN-KA52F CR	24 V/1.04 A, 25 W Power Supply with DIN-Rail Mounting (RoHS)
	GPSU06U-6	24 V/0.25 A (max.) Power Supply