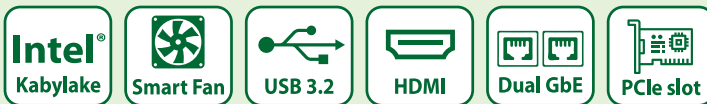


# AI Box PC

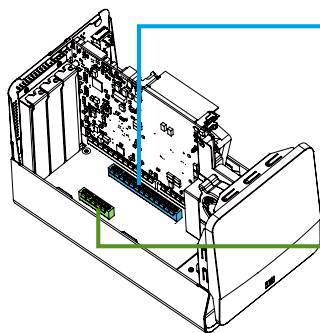
## HTB-200-C236 | 6th/7th Generation Intel® Xeon & Core™ Processor

### Features

- Compact edge device with great computing & graphics performance
- 6th/7th Gen Intel® Xeon® & Core™ processor platform with Intel® C236 chipset
- Dual ECC & non-ECC unbuffered SO-DIMM memory slot supporting up to 64 GB
- PCIe x16 slot supports NVIDIA GPU or IEI Mustang Acceleration Card
- PCIe x4 slot supports capture cards or other applications



## » Dual PCIe Slots



### PCIe x16

Accelerator cards are crucial to data scientists. High compatibility for the GPU cards such as NVIDIA P4/T4/Quadro series or IEI Mustang series allows the end user to choose accelerator cards based on their different needs.

### PCIe x4

The redundant PCIe x4 slot is reserved for all-in-one video capture cards or other expansions.

## » Unique Thermal Solution

The accessible hard drive enables IT technicians to do the maintenance work more easily. The drive bay is located in the bottom of the HTB-200-C236 and accepts 2.5" SSD or HDD. The IT technician can easily check or replace the storage device by removing four cover screws.

Catering to NVIDIA® Tesla T4 passive heat sink design, IEI adopts blower-ventilation solution that not only creates a strong air flow but also minimizes the noise made by fan system.



## » Easy Maintenance

The accessible hard drive enables IT technicians to do the maintenance work more easily. The drive bay is located in the bottom of the HTB-200-C236 and accepts 2.5" SSD or HDD. The IT technician can easily check or replace the storage device by removing four cover screws.



## Specifications

Model		HTB-200-C236
Chassis	Color	White
	Dimension	140 x 171 x 276.6 mm
	System Fan	Smart Fan
	Chassis Construction	Metal housing (SECC)
Motherboard	CPU	Intel® Xeon® E3-1268LV5, 35W TDP Intel® Core™ i5-7500T (Kaby Lake platform), 35W TDP
	Chipset	Intel® C236
	System Memory	Two 260-pin 1600/2133MHz dual-channel ECC & non-ECC unbuffered DDR4 SO-DIMM slots supporting up to 64GB
	Storage	2.5" SATA HDD or SSD
I/O Interfaces	USB	2 x USB 3.2 Gen 1 port, 2 x USB 2.0
	COM	1 x RS-232/422/485
	Ethernet	LAN1: Intel® I219LM Clarkville-V with Intel® AMT 11.0 support LAN2: Intel® I210 PCIe controller
	Display	1 x HDMI output
	Others	1 x Power button 1 x Reset switch 1 x AT/ATX switch
Expansions	PCIe	1 x PCIe 3.0 x16 slot 1 x PCIe 3.0 x4 slot
	PCIe Mini	1 x Half-size PCIe Mini Slot
Power Input	19V DC in	
Power Adapter	100V ~ 240V AC input, 19V DC output, 180W	
Environment	Operating Temperature	0°C ~ 35°C 10% ~ 95%, non-condensing
	Operating Shock	Half-sine wave shock 5G, 11ms, 100 shocks per axis
	Net Weight	2.8 kg
Acceleration Card Supported	NVIDIA Tesla P4 (50W/75W)	
	NVIDIA Tesla T4 (75W)	
	Mustang F100 (<60W)	
	Mustang V100 (<30W)	
Supported OS	Windows®10, Linux®	

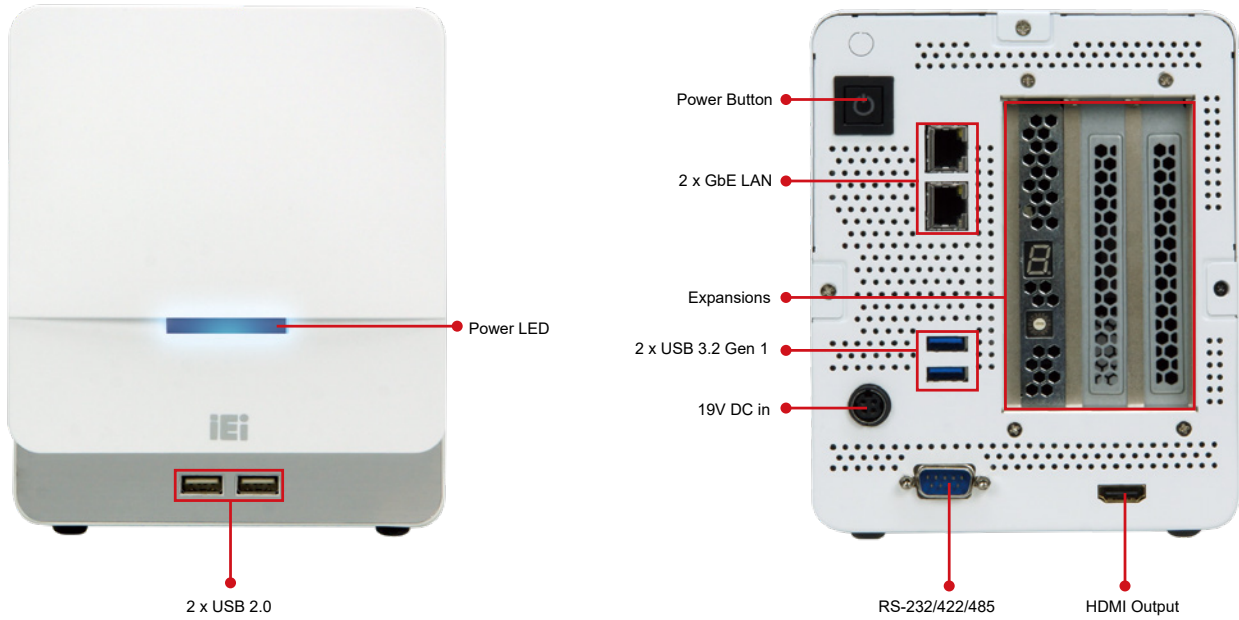
## Ordering Information

Part No.	Description
HTB-200-C236-E3/32G/2A-R10	Embedded system with Intel® Xeon® E3-1268LV5 2.4GHz (quad-core, 35W TDP), two 16GB DDR4 memory, one PCIe x16 & one PCIe x4 expansion, 19V DC 180W power adapter, white, R10
HTB-200-C236-i5/16G/2A-R10	Embedded system with Intel® Core™ i5-7500T 2.7GHz (quad-core, 35W TDP), two 8GB DDR4 memory, one PCIe x16 & one PCIe x4 expansion, 19V DC 180W power adapter, white, R10

## Packing List

Item	Part No.	Q'ty	Remark
Power Adapter	63040-010180-200-RS	1	180W power adapter: Input: 100V~240V AC, Output: 19 V DC
Power Cord	32701-000700-300-RS	1	American power cord, 183 cm, C13
HDD Screw	44043-030041-RS	4	Machine screw; I Head; M3x4

# I/O Interface



## HTB-200-C236 Dimensions

(Unit: mm)

