

W15RK3S-EHA4, 15.6-inch E-Series HMI

Smartly Designed to Satisfy the Needs of Industrial Automation

The E-Series HMI - W15RK3S-EHA4 is a 15.6-inch panel PC ideal for industrial machinery, equipment, control and automation applications in various factory scenarios and comes in an easy to deploy panel mounted option with no-drill mounting. Ease of use, durability, reliability, and accurate controls are essential to the safe and efficient operation of monitoring systems, and Winmate's E-Series HMI was designed with all of these qualities in mind in a cost-effective package.



Highlights

- 15.6" 1920 x 1080 Resolution with Projected Capacitive Multi-Touch (P-CAP)
- Arm® Dual-core Cortex®-A72 up to 2.0GHz + Quad-core Cortex®-A53 up to 1.5GHz
- Fanless cooling system and ultra-low power consumption
- Front IP65 Water and Dust Proof
- 1 x USB 3.0, 1 x USB 2.0; 1 x RS232/422/485; 1 x RJ45; 1 x Micro SD Slot; 1 x Micro HDMI; 1 x USB OTG
- Supports PoE function

ICP Electronics
Australia Pty Ltd

TEL: 02 9457 6011
sales@icp-australia.com.au
www.icp-australia.com.au



Proudly Australian-Owned Since 1999

W15RK3S-EHA4, 15.6-inch E-Series HMI

Smartly Designed to Satisfy the Needs of Industrial Automation

Display Specification

Size	15.6" TFT (Wide screen)
Resolution	1920 x 1080
Brightness	300 nits (typ.)
Contrast Ratio	800:1 (typ.)
Viewing Angle	-85~85 (H); -85~85(V)
Max Colors	262K (6bit)
Touch	Projected Capacitive Multi-Touch (P-CAP)

System Specification

Processor	Arm Dual-core Cortex-A72 up to 2.0GHz + Quad-core Cortex-A53 up to 1.5GHz
System Memory	2GB LPDDR3L 1600 (Optional 4GB LPDDR3L)
Storage	16GB eMMC (default), Micro SD Card
Operating System	Android 7.1 (default)

Interface

Serial Ports	1 x RS-232/422/485
USB Ports	1 x USB 3.0, 1 x USB 2.0, 1 x USB OTG
SD Card Slot	1 x Micro SD Card Slot
Ethernet	1 x RJ 45-10/100/1000 Mbps LAN support PoE function
HDMI	1 x Micro HDMI

Power Management

Power Input	12V DC
Power Over Ethernet	Power Device (PD) follows IEEE 802.3at (25 W), IEEE 802.3af (15 W)
Power Consumption	14.6W

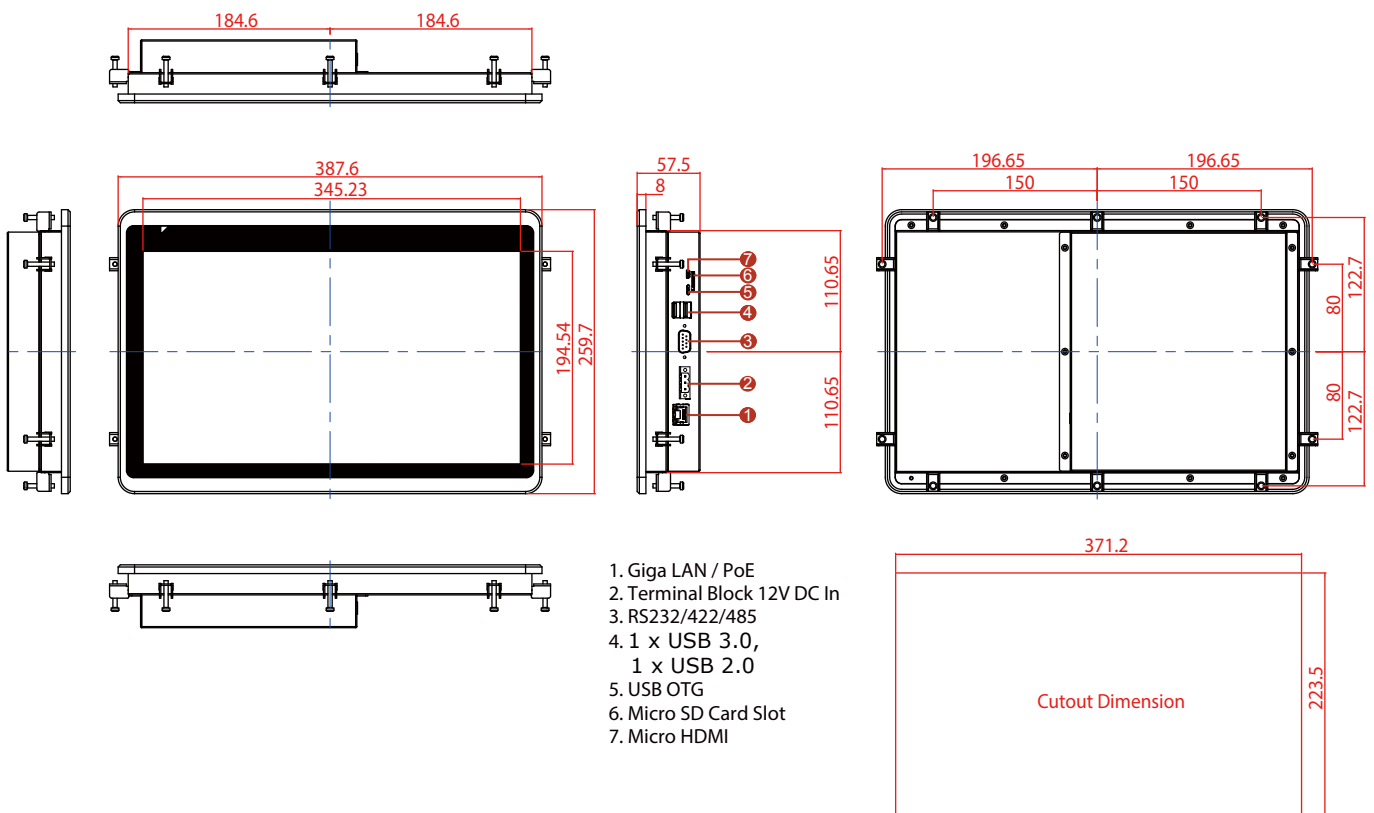
Mechanical and Environment

Cooling System	Fanless design
Mounting	Mounting clips x 10
Dimensions (W x H x D)	387.6 x 259.7 x 57.5 (mm)
Cutout Dimensions (W x D)	371.2 x 223.5 (mm)

Environment

Operating Temperature	-10 °C to 50 °C
Operating Humidity	10% to 90% (non condensing)

Drawing



ICP Electronics
Australia Pty Ltd

TEL: 02 9457 6011
 sales@icp-australia.com.au
 www.icp-australia.com.au



Proudly Australian-Owned Since 1999