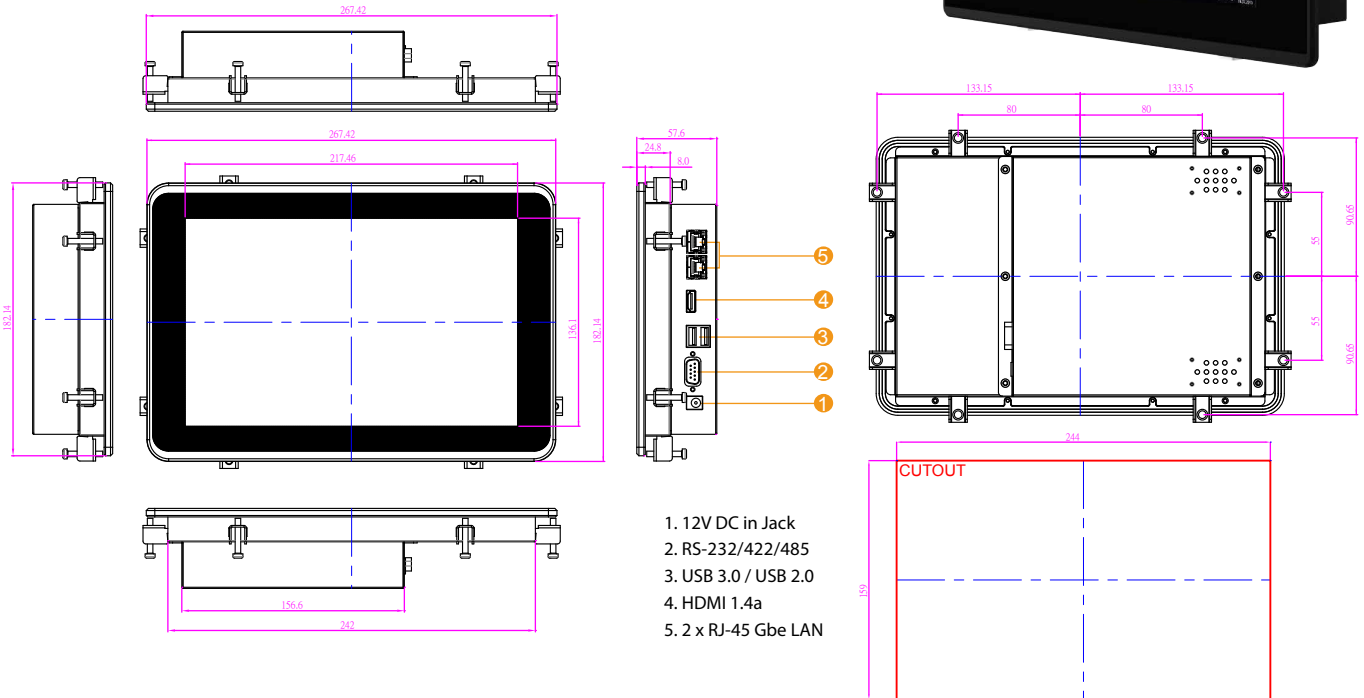


10.1" E-Series HMI with Bay Trail Platform

- 10.1" 1280 x 800 Resolution
- P-cap Multi-touch screen
- Front IP65 Water and Dust Proof
- Dual Gigabit Ethernet
- Fanless cooling system and Ultra-low power consumption



Specifications

System

- Processor : Intel® Celeron® Bay Trail-M N2930 1.83GHz
- System Chipset : Intel® ATOM SoC Integrated
- System Memory : 2GB DDR3L 1600 SODIMM (Optional 8G)
- Storage : 64GB mSATA SSD
- LAN : Dual Intel® I210-AT GbE LAN
- Security : Trusted platform module (TPM 1.2)

Input / Output :

- USB Ports : 1 x USB 2.0 , 1 x USB 3.0
- COM port : 1 x RS232/422/485
- Ethernet : 2 x RJ45, 10/100/1000
- HDMI : 1 x HDMI 1.4a

Software Support

- Watchdog SDK

Power Specifications :

- Power Input : 12V DC in Jack
- Power Consumption : 19W (typ.)

Display Spec

- Size/Type : 10.1" TFT (Widescreen)
- Resolutions : 1280 x 800
- Brightness : 350 cd/m (typ.)
- Contrast Ratio : 800:1 (typ.)
- Viewing Angle : -85~85 (H); -85~85(V)
- Max Colors : 16.7M (8bit)
- Touch screen : Projected-Capacitive Touch
Optional anti-glare coating

Mechanical Specification

- Cooling System : Fanless design
- Mounting : Mounting clips x 8
- Dimension (WxHxD) : 267.42 x 182.14x 57.6 (mm)
- Design : Panel Mount Front IP65 Design

Environment Considerations :

- Operating Temperature : -10 deg.C to 50 deg.C
- Operating Humidity : 10% to 90% (non-condensing)
- IP Rating : Front IP65

OS/BSP Driver Support :

- Operation System : Windows 10 IoT
Windows Embedded 8.1 Industry
Windows Embedded 8 Standard
Windows Embedded Standard 7