



### Features

- Stainless steel front bezel Display
- Flat front panel touch screen
- Projected Capacitive Touch or Glass (Option)
- Wide range DC 9~36V power input
- IP66 compliant front panel / IP69K for option
- VGA, DP, DVI/HDMI input
- OSD on the rear side
- System Power LED light
- High brightness LCD for option

### Specifications

I/O Port	
VGA	1 x VGA
DVI	1 x DVI-D (share with HDMI)
DP	1 x DP
HDMI	1 x HDMI (share with DVI-D)
Audio	1 x Audio line-in phone jack
OSD Control	OSD at rear side
Membrane	On board controller, extendable key pad from connector
Power	1 x 3-pin terminal block for DC 9~36V power input
Others	1 x USB type B for touch control Optional I/O: 1 x Speaker

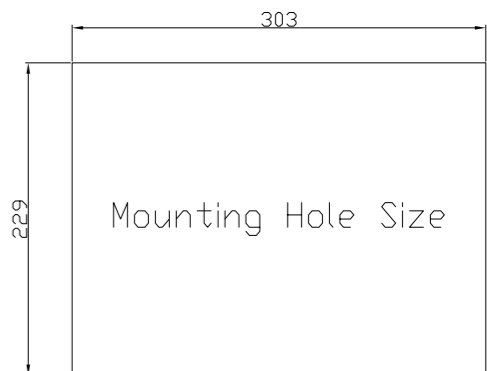
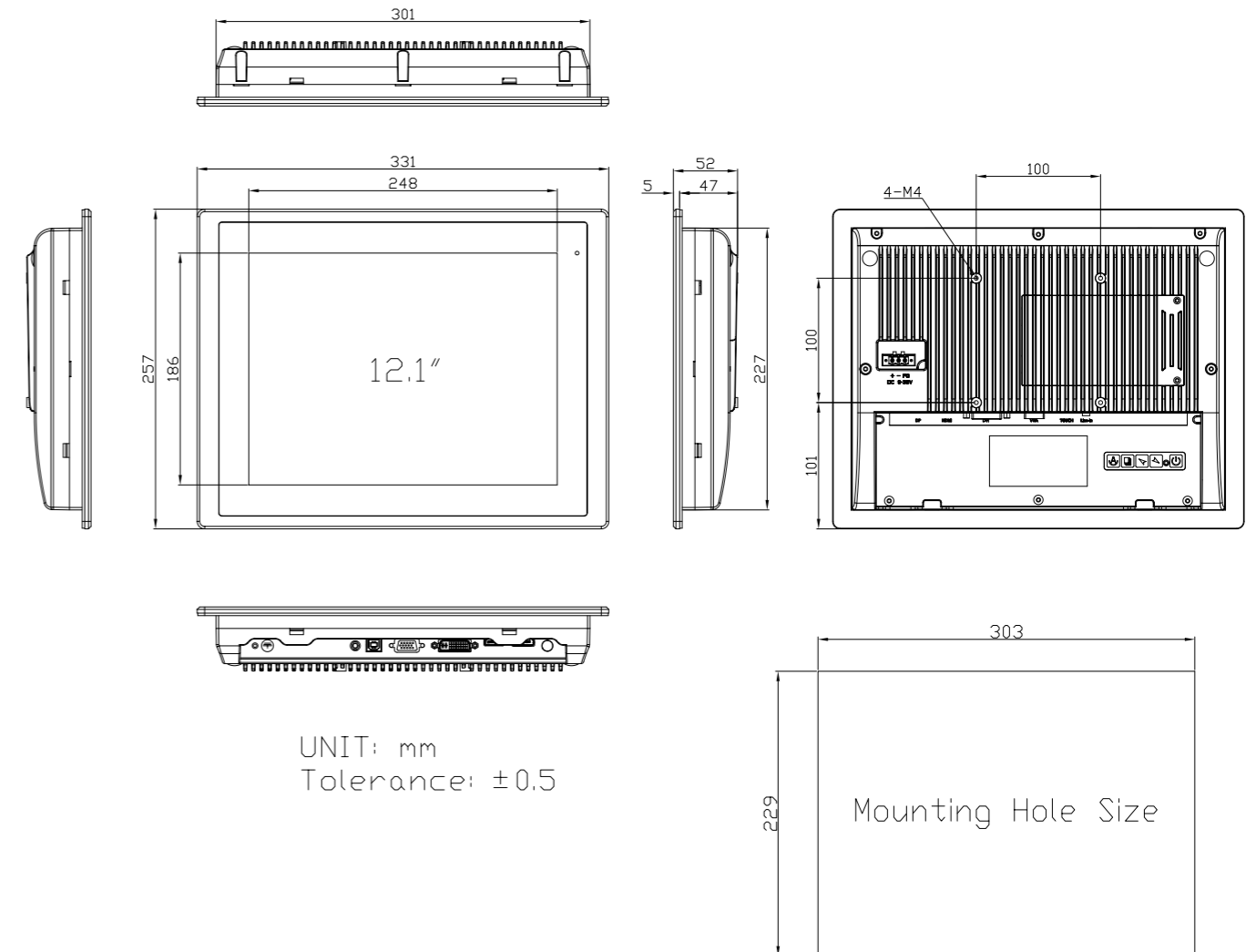
Display	Standard	
Display Type	12.1" TFT LCD	12.1" TFT LCD
Max. Resolution	800 x 600	1024 x 768
Max. Color	16.2M	16.2M
Luminance (cd/m <sup>2</sup> )	450	500
View Angle	178(H) / 178(V)	160(H) / 140(V)
Contrast	1500:1	700:1
Backlight Lifetime	50,000 hrs	30,000 hrs

Display	High Brightness (option)	
Display Type	12.1" TFT LCD	12.1" TFT LCD
Max. Resolution	800 x 600	1024 x 768
Max. Color	262K/16.2M	262K/16.2M
Luminance (cd/m <sup>2</sup> )	1000	1000
View Angle	178(H) / 178(V)	160(H) / 140(V)
Contrast	700:1	700:1
Backlight Lifetime	50,000 hrs	50,000 hrs

Touch Screen	
Type	Projected Capacitive Touch (For FABS-112P model) Glass-AR (For FABS-112G model)
Interface	USB Interface
Light Transmission(%)	Over 90%

Power	
Power Input	DC 9~36V
Power Consumption	TBD

### Dimensions



ICP Electronics Australia Pty Ltd

TEL: 02 9457 6011  
sales@icp-australia.com.au  
www.icp-australia.com.au



Proudly Australian-Owned Since 1999