



### Features

- Stainless steel front bezel Display
- Flat front panel touch screen
- Projected Capacitive Touch or Glass (Option)
- Wide range DC 9~36V power input
- IP66 compliant front panel / IP69K for option
- VGA, DP, DVI/HDMI input
- OSD on the rear side
- System Power LED light
- High brightness LCD for option

### Specifications

I/O Port	
VGA	1 x VGA
DVI	1 x DVI-D (share with HDMI)
DP	1 x DP
HDMI	1 x HDMI (share with DVI-D)
Audio	1 x Audio line-in phone jack
OSD Control Membrane	OSD at rear side On board controller, extendable key pad from connector
Power	1 x 3-pin terminal block for DC 9~36V power input
Others	1 x USB type B for touch control Optional I/O: 1 x Speaker

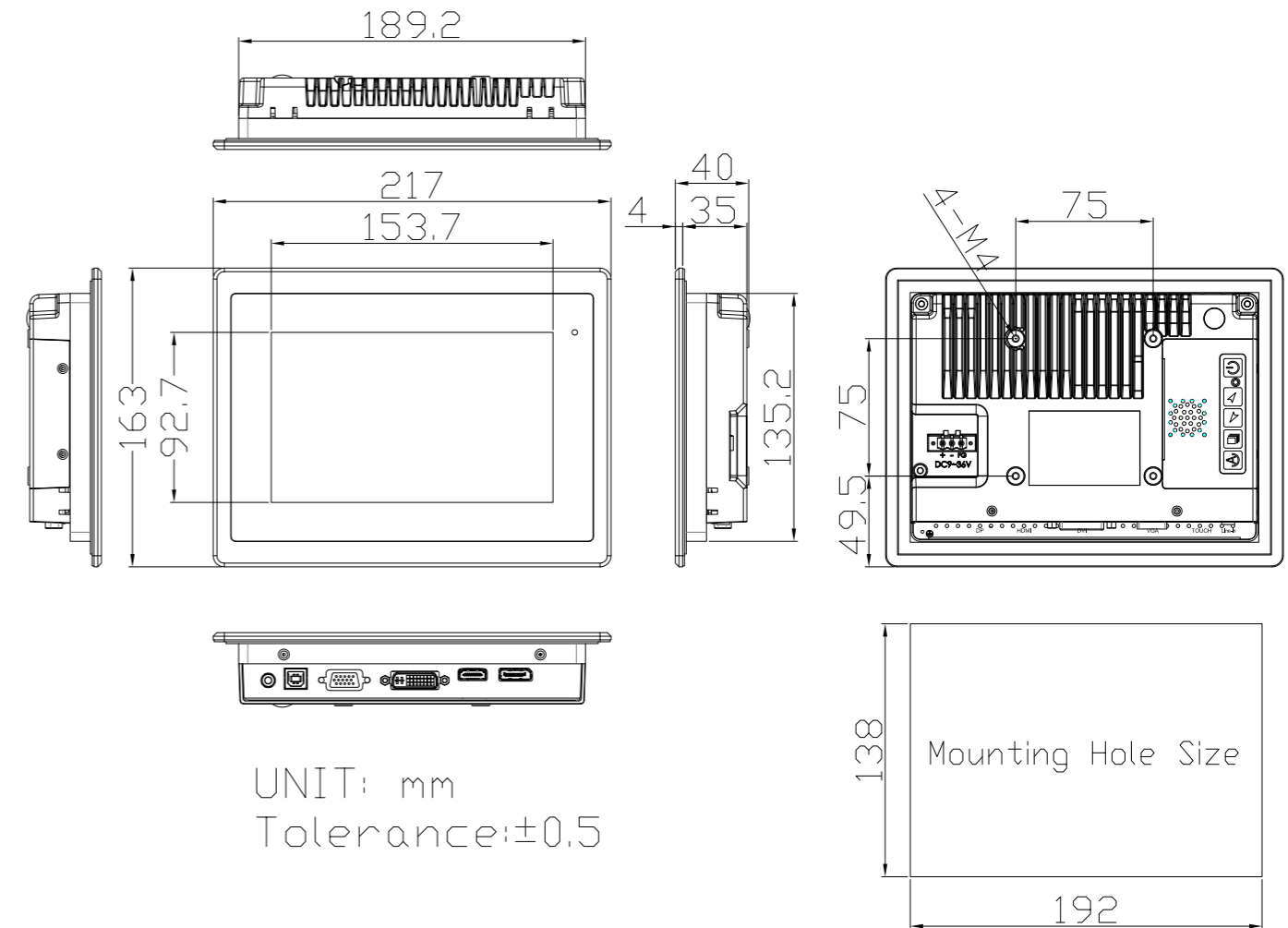
Display	Standard	High Brightness Optional
Display Type	7" TFT LCD	7" TFT LCD
Max. Resolution	800 x 480	800 x 480
Max. Color	262K	262K
Luminance (cd/m <sup>2</sup> )	350	1000
View Angle	140(H) / 110(V)	140(H) / 130(V)
Contrast	400:1	400:1
Backlight Lifetime	40,000 hrs	50,000 hrs

Touch Screen	
Type	Projected Capacitive Touch (For FABS-107P model) Glass-AR (For FABS-107G model)
Interface	USB Interface
Light Transmission(%)	Over 90%

Power	
Power Input	DC 9~36V
Power Consumption	TBD

Mechanical	
Construction	Aluminum die-casting chassis
Mounting	Panel mount / VESA mount 75 x 75
IP Rating	IP66 compliant front panel / IP69K(option)
Dimensions (WxHxD)	217 x 163 x 40 mm
Net Weight	TBD

### Dimensions



Environmental	
Operating Temperature	0~50°C
Storage Temperature	-30~70°C
Storage Humidity	10 to 90% @ 40°C, Non-condensing
Certificate	CE/FCC, Class A

ICP Electronics  
Australia Pty Ltd

TEL: 02 9457 6011  
sales@icp-australia.com.au  
www.icp-australia.com.au

