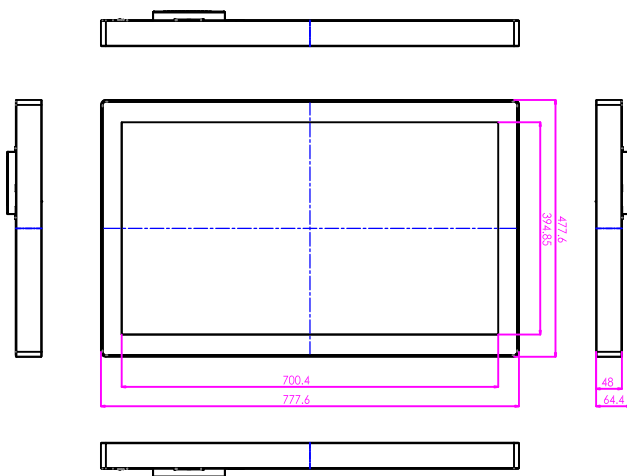


W32IK7T-PCA3 32" Panel PC (Kaby Lake Intel® 7th Generation Core i3/i5/i7 Processor)

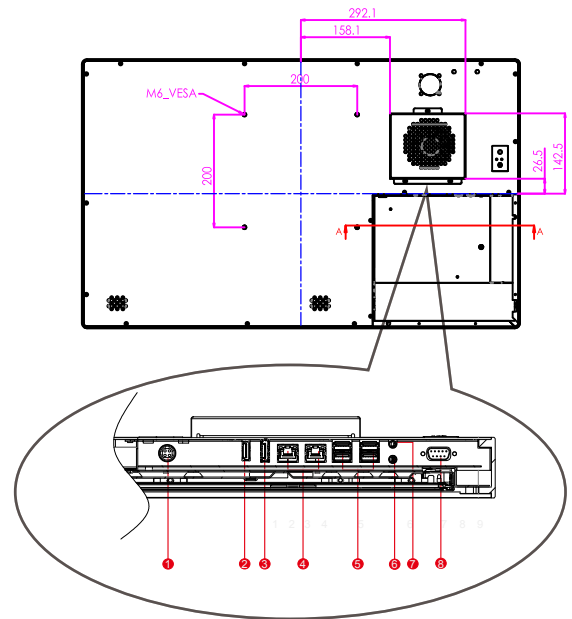
Mechanical Design



FRONT VIEW



REAR VIEW



- | | |
|----------------------|-----------------------|
| 1. 24V DC IN | 6. USB 3.0 x 4 |
| 2. Clear CMOS Button | 7. Microphone In |
| 3. HDMI 1.4 | 8. Line Out |
| 4. Display Port 1.2 | 9. RS232 Connector |
| 5. RJ-45 x 2 | 10. OSD Control Panel |

- * Measurements shown in mm
- * Tolerance of all dimensions is shown as follow 0~30 mm ± 0.1 mm, 30~50 mm ± 0.15 mm, 50~120 mm ± 0.2 mm, above 120 mm ± 0.25 mm
- * Note: this is a simplified drawing and some components are not marked in detail. Please contact our sales representative if you need further product information.

Specifications

System Specifications

- CPU : Intel® Core™ i7-7700T Processor, 2.9 GHz
Intel® Core™ i5-7500T Processor, 2.7 GHz
Intel® Core™ i3-7100T Processor, 3.4 GHz
- System Chipset : Intel® H170
- System Memory : 1 x SO-DIMM, Max 16GB DDR4 2400 MHz default 4GB
- Storage : 1 x M.2 SSD, Max 512GB default 64GB
- Audio : Realtek HD Audio Codec
- Network : Intel® Ethernet Controller I211-AT + Intel® Gigabit Ethernet PHY I219-LM

Input / Output

- Serial Port : 1 x RS232/422/485, 1 x RS232(default RS232)
- USB Port : 4 x USB 3.0
- Ethernet : 2 x RJ45-10/100/1000 Mbps
- DP Port : 1 x DP 1.2
- HDMI Port : 1 x HDMI 1.4
- Audio : Line-Out, Mic in

Power Management

- Power Input : 24V DC IN (Lockable Power Jack)
- Power Consumption : 100W (typ.)(Max.backlight & high CPU load)

Accessories

- External Adapter : 110~240V Ac-in Power Adapter

Display Specifications

- Size/Type : 32" TFT
- Resolution : 1920 x 1080
- Contrast Ratio : 3000:1 (typ.)
- Brightness : 400 nit
- Viewing Angles : -89~89 (H); -89~89 (V)
- Max Colors : 16.7M

Environment

- Operating Temperature : 0°C to 50°C
- Operating Humidity : 10% to 90% (non condensing)

Security Support

- Trusted Platform Module (TPM 2.0)

Order Options

- | | |
|-------------------------------------|--------------------------------|
| Mechanical : Front IP65 | Storage : M.2 SSD Max 512GB |
| Touch : Projective-Capacitive Touch | RAM : DDR4 2400 Max 16GB |
| | OS : Windows 10 IoT Enterprise |

Expansion Slot

- 2 x M.2(1 for WiFi, 1 for SSD), 1 x PCIe x 16(Optional)

*Customized housing required if you need to have the PCIe expansion

OS BSP/Driver Support

- Support Windows 10 IoT Enterprise