

# W22IK3S-SPA369-P, 21.5-inch Stainless P-Series

## Stainless IP69K with waterproof conduit Solutions

Winmate provided 21.5-inch IP69K Stainless Steel Panel PC with the high performance Intel Core i5-7200U Kaby Lake processor and a waterproof conduit pipe for added cable protection. The IP69K series is built to withstand extensive wash downs with corrosion resistance against cleaning agents, especially against close-range high-pressure, high temperature wash downs. The level of protection allows for easy cleaning and sterilization using water with temperatures of up to 80°C and pressure of up to 30 Bar. A custom-built waterproof conduit pipe was also provided for the customer with a cover plate, allowing for an additional layer of protection for the panel pc cables.



\* Yoke mount Stand kit is an option. accessory.

### Highlights

- 21.5" 1920 x 1080 Resolution with P-Cap Multi-Touch
- Intel® Core™ i5-7200U, 2.50 GHz
- Fanless cooling system
- SUS304 stainless steel for food and chemical industries
- Full IP69K waterproof enclosure, good corrosion resistance
- A true flat, easy-to-clean front surface with edge-to-edge design
- Waterproof sealed conduit pipe for cable protection
- Supports VESA mount and optional Yoke mount stand

# W22IK3S-SPA369-P, 21.5-inch Stainless P-Series

## Stainless IP69K with waterproof conduit Solutions

### Display Specification

Size	21.5" (Widescreen)
Resolution	1920 x 1080
Brightness	250 nits (typ.)
Contrast Ratio	1000:1 (typ.)
Viewing Angle	-89~89 (H); -89~89(V)
Max Colors	16.7M
Touch screen	Projected Capacitive Multi-Touch (P-CAP) Optional anti-glare coating

### System Specification

Processor	Intel® Core i5-7200U 2.5GHz
Chipset	Intel® SoC Integrated
BIOS	Insyde BIOS
Graphic Chipset	Intel® HD Graphics 620
System Memory	4GB DDR4 2133 (Optional up to 16GB)
Storage	64GB B-key M.2 2242 (Optional up to 512GB)
LAN Chip	Intel® Gigabit-LAN Controller I211AT + PHY I219LM
Audio	Realtek HD Audio Codec
Operating System	Windows 10 IoT Enterprise (Option) Ubuntu 18.04 (Option)

### Interface

Serial Ports	1 x RS-232/422/485
USB Ports	2 x USB 3.0
HDMI	1 x HDMI 1.4 output
Ethernet	2 x RJ 45-10/100/1000 Mbps
Power	1 x 2.5 DC jack

### Power Management

Power Input	12V DC input with AC to DC Adapter Optional 9~36V DC input with 3 pin phoenix connector
Power Consumption	66W (typ.)(Max.backlight and high CPU load)

### Mechanical

Cooling System	Fanless design
Mounting	VESA Mount (100x100mm)
Dimensions (W x H x D)	530.6 x 322.1 x 56 (mm)

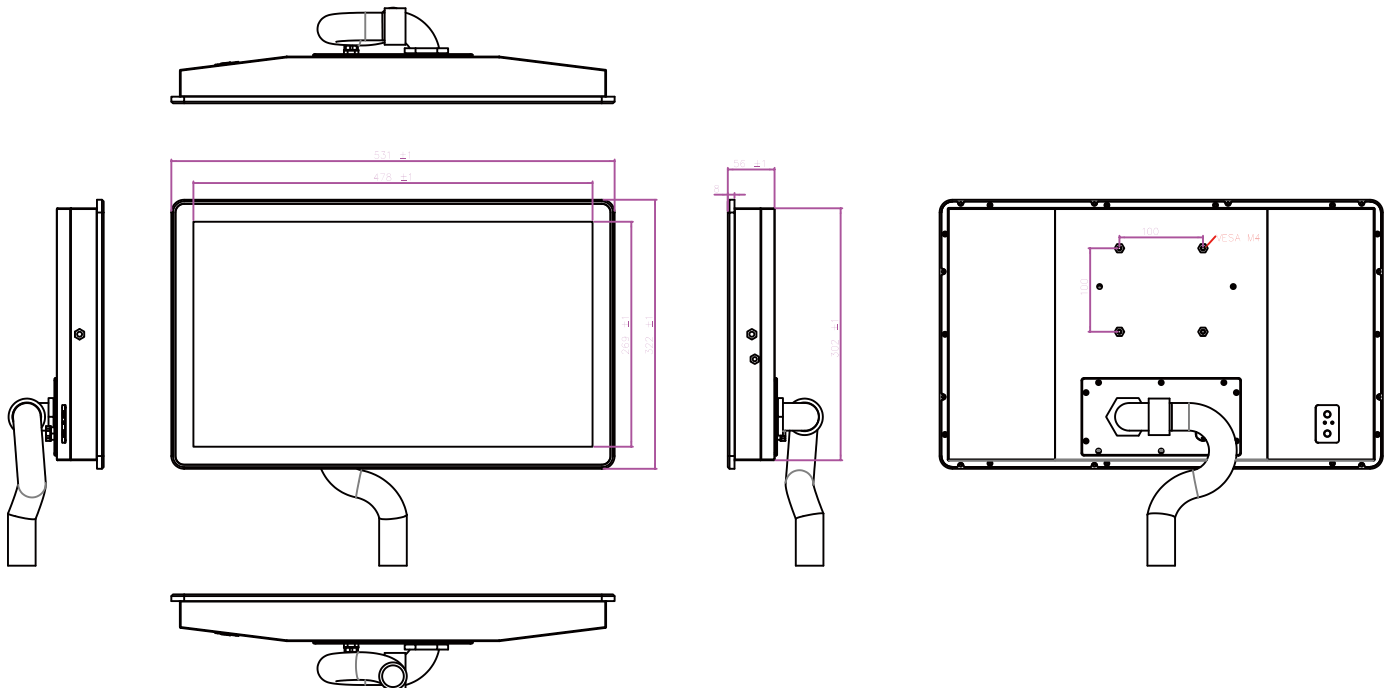
### Environment

Operating Temperature	0 °C to 45 °C
Operating Humidity	10% to 95% (non condensing)
IP Rating	IP69K

### Accessories

- 1 x Waterproof Conduit 1.5m
- 1 x Elbow for connect the conduit
- 1 x AC to DC power adapter with power cord
- Yoke mount Stand kit (Optional)
- Open wire cable for phoenix connector(Default for 9~36V DC input sku)

### Drawing



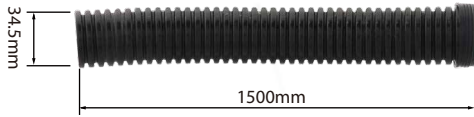
\* Yoke mount Stand kit is an option. accessory.

# W22IK3S-SPA369-P, 21.5-inch Stainless P-Series

Stainless IP69K with waterproof conduit Solutions

## Accessories

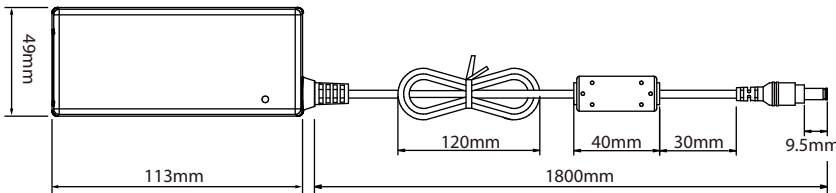
### Waterproof Conduit 1.5m



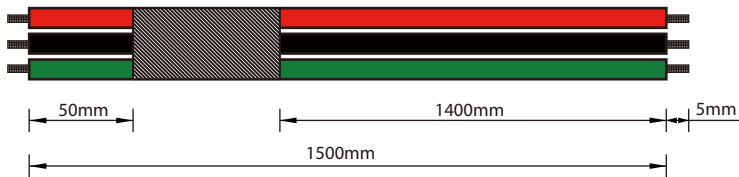
### Elbow for connect the conduit



### AC to DC power adapter



### Open wire cable for phoenix connector(Default for 9~36V DC input sku)



Pin No.	Symbols	Color	Pin No.	Symbols	Color
Open wire 5mm		Red	Open wire 5mm		Red
Open wire 5mm		Black	Open wire 5mm		Black
Open wire 5mm		Green	Open wire 5mm		Green

### Yoke mount Stand kit (Optional)

