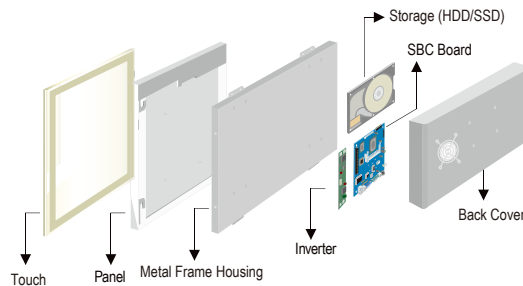


# R19IB7T-POM1 19" Panel PC (Intel Celeron Bay Trial-M N2930 1.83GHz)

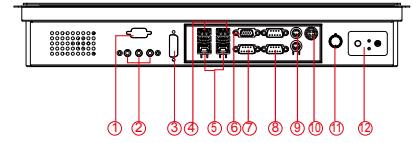
## Mechanical Design



Open Frame



Mechanical design

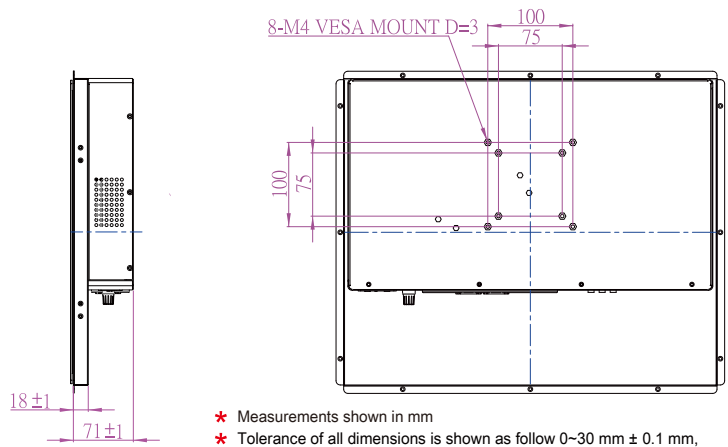
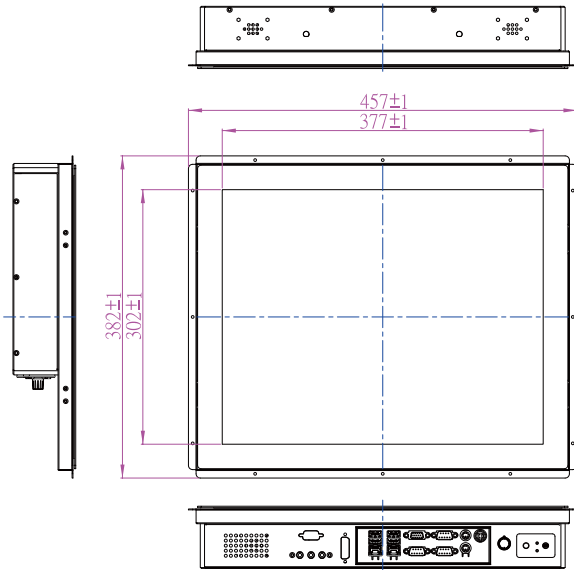


1. RS-232 (Optional)
2. Audio Jack
3. DVI (Optional)\*
4. USB(1 x 3.0, 3 x 2.0)
5. LAN
6. VGA
7. RS-232/422/485
8. RS-232
9. PS/2
10. 12V DC IN
11. Dimming knob
12. OSD membrane

\* Only 2 display output at the same time

## Fully Integrated I/O

## Dimensions



- \* Measurements shown in mm
- \* Tolerance of all dimensions is shown as follow 0~30 mm ± 0.1 mm,
- \* 30~50 mm ± 0.15 mm, 50~120 mm ± 0.2 mm, above 120 mm ± 0.25 mm
- \* Note: this is a simplified drawing and some components are not marked in detail. Please contact our sales representative if you need further product information.

## Specifications

### System :

- CPU : Intel® Celeron® Bay Trial-M N2930 1.83GHz
- System Chipset : Intel® Atom SoC Integrated
- Memory Slot : SODIMM DDR3L 1600 Max. 8GB
- IDE/SATA : 1 x SATA II
- LAN : Intel® I210-AT GbE LAN x 2
- Audio Codec : Realtek HD Audio Codec

### Input / Output :

- Serial Ports : 2 x RS232, 1 x RS232/422/485
- USB Ports : 1 x USB 3.0, 3 x USB 2.0
- Keyboard / Mouse : 2 x PS/2
- Ethernet : 2 x RJ 45-10/100/1000 Mbps
- VGA : 1 x VGA (female)
- Audio : Line-Out, Line-In, Mic in

• Default setting:RS232

### Expansion Slot :

- 2 x Mini PCIe (1 for WiFi, 1 for WWAN Module)

### Power Specifications :

- Power Input : 12V DC IN (Lockable Power Jack)
- Power Consumption : 60W (typ.)(Max.backlight & high CPU load)

### Accessories :

- External Adapter : 110~240V Ac-in Power Adapter

### Panel Spec :

- Size/Type : 19" TFT
- Resolutions : 1280 x 1024
- Brightness : 250 cd/m<sup>2</sup>(typ.)
- Contrast Ratio : 1000 : 1(typ.)
- Viewing Angle : -85~85(H);-80~80(V)
- Max. Colors : 16.7M (8 bits/colors)

### Environment Considerations :

- Operating Temperature : 0 °C to 50 °C
- Operating Humidity : 30% to 90% (non condensing)

### OS BSP / Driver Support :

- Support Windows 10 IoT Enterprise / Windows 8 embedded / Windows 7 embedded

### Security Support

- Trusted Platform Module (TPM 1.2)

### Order Options :

- Mechanical : Open Frame
- Touch : P-CAP

- Storage : 2.5" HDD/2.5" SSD/mSATA SSD
- RAM : SODIMM DDR3L  
1600 Max.8GB
- OS : Windows 10 IoT Enterprise  
Windows 8 embedded /  
Windows 7 embedded  
(Optional)