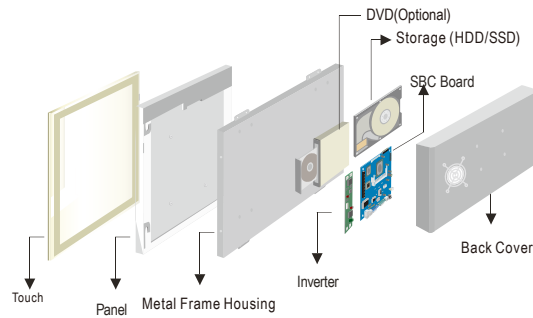


# R17IB7T-POM1 17" Panel PC (Intel Celeron Bay Trial-M N2930 1.83GHz)

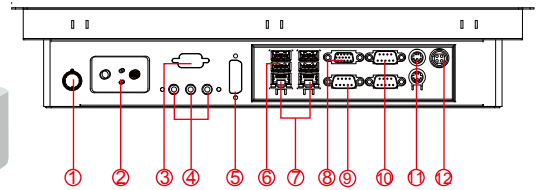
Mechanical Design



Open Frame



Modularized Construction



- |                           |                  |
|---------------------------|------------------|
| 1. Dimming Knob           | 7. LAN           |
| 2. OSD Membrane           | 8. VGA           |
| 3. RS-232 (Optional)      | 9. RS232/422/485 |
| 4. Audio Jack             | 10. RS232        |
| 5. DVI (Optional)*        | 11. PS/2         |
| 6. USB (1 X 3.0, 3 X 2.0) | 12. 12V DC in    |

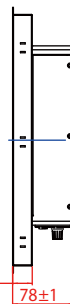
\* Only 2 display output at the same time

Fully Integrated I/O

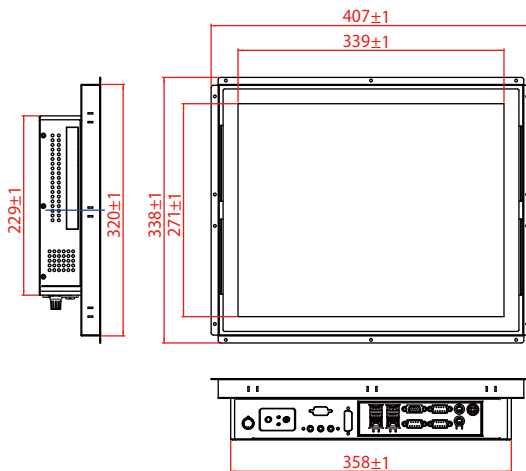
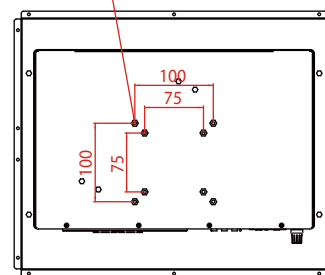
FRONT VIEW



SIDE VIEW



BACK VIEW



BOTTOM VIEW

8-M4 VESA MOUNT D=3

- \* Measurements shown in mm
- \* Tolerance of all dimensions is shown as follow 0~30 mm ± 0.1 mm, 30~50 mm ± 0.15 mm, 50~120 mm ± 0.2 mm, above 120 mm ± 0.25 mm
- \* Note: this is a simplified drawing and some components are not marked in detail. Please contact our sales representative if you need further product information.

## Specifications

### System :

- CPU : Intel® Celeron Bay Trial-M N2930 1.83GHz
- System Chipset : Intel Atom SoC Integrated
- Memory Slot : SODIMM DDR3L 1600 Max. 8GB
- IDE/SATA : 1 x SATA II
- LAN : Intel i210-AT
- Audio Codec : Realtek HD Audio Codec

### Input / Output :

- Serial Ports : 2 x RS232, 1 x RS232/422/485
- USB Ports : 1 x USB 3.0, 3 x USB 2.0
- Keyboard / Mouse : 2 x PS/2
- Ethernet : 2 x RJ45-10/100/1000 Mbps
- VGA : 1 x VGA (female)
- Audio : Line-out, Line-in, Mic in

• Default setting:RS232

### Expansion Slot :

- 2 x Mini PCIe (1 for WiFi, 1 for WWAN Module)

### Power Specifications :

- Power Input : 12V DC IN (Lockable Power Jack)
- Power Consumption : 65W (typ.)(Max.backlight & high CPU load)

### Accessories :

- External Adapter : 110~240V Ac-in Power Adapter

### Panel Spec :

- Size/Type : 17" TFT
- Resolutions : 1280 x 1024
- Brightness : 350 nits (Optional 400 nits)
- Contrast Ratio : 1000 : 1(typ.)
- Viewing Angle : -85~85(H);-80~80(V)
- Max. Colors : 16.7M (6bits+FRC)

### Environment Considerations :

- Operating Temperature : 0 °C to 50 °C
- Operating Humidity : 30% to 90% (non condensing)

### OS BSP / Driver Support :

- Support Windows 10 IoT Enterprise / Windows 8 embedded / Windows 7 embedded

### Security Support

- Trusted Platform Module (TPM 1.2)

### Order Options :

- |                         |  |
|-------------------------|--|
| Mechanical : Open Frame | Storage : 2.5" HDD/2.5" SSD/mSATA SSD  |
| Touch : P-CAP           | RAM : SODIMM DDR3L<br>1600 Max.8GB   |
|                         | OS : Windows 10 IoT Enterprise<br>Windows 8 embedded /<br>Windows 7 embedded<br>(Optional) |

Note: All Specifications are subject to change without prior notice!

ICP Electronics  
Australia Pty Ltd

TEL: 02 9457 6011  
sales@icp-australia.com.au  
www.icp-australia.com.au



Revised date: 29-Jul-2019 V1.1