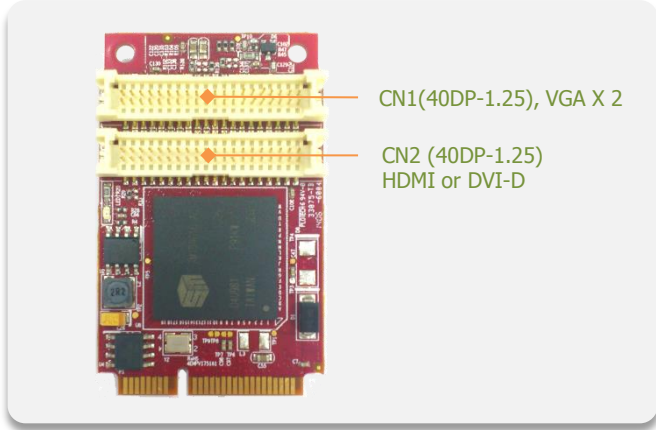


EMPV-1201 mPCIe to dual VGA & HDMI(or DVI) module



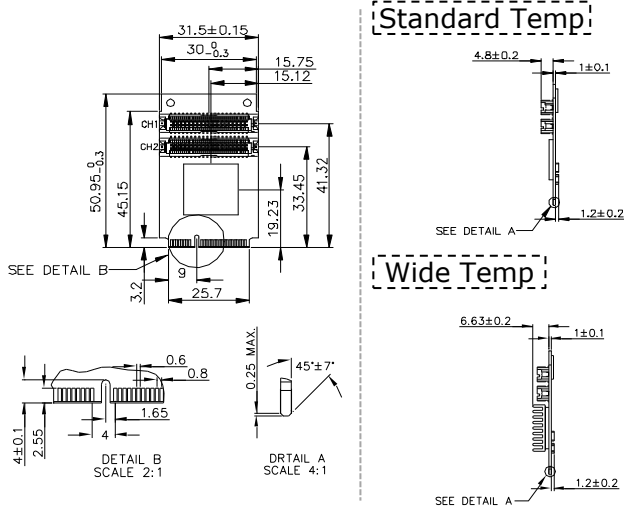
CN1(40DP-1.25), VGA X 2

CN2 (40DP-1.25)
HDMI or DVI-D

Features

- VGA Output up to 1920x1080. up to 75Hz vertical rate.
- HDMI up to 1080P, Ultra low power consumption.
- Allow for 90°, 180°, and 270° rotation of on-screen images.
- DVI-D Single Link up to 1080P.
- Optional Industrial Temperature (-40°C to +85°C) support.
- 30μ" golden finger, 3 years warranty.
- Industrial design. Manufactured in innodisk Taiwan.

Mechanical Drawing



HDMI or DVI-D Single Link (CN2)

Dual VGA(CN1)

Signal	Pin	Pin	Signal	Signal	Pin	Pin	Signal
+5V	2	1	+3.3V	+5V	2	1	3.3V
+5V	4	3	+3.3V	+5V	4	3	3.3V
	6	5			6	5	
GND	8	7	GND	GND	8	7	GND
TMDS_D0+	10	9	TMDS_D1+	R_1	10	9	B_1
TMDS_D0-	12	11	TMDS_D1-	G_1	12	11	
GND	14	13	GND	GND	14	13	GND
TMDS_D2+	16	15		H_Sync_1	16	15	DDC_SCL_1
TMDS_D2-	18	17		V_Sync_1	18	17	DDC_SDA_1
GND	20	19	GND	GND	20	19	GND
	22	21		R_0	22	21	B_0
	24	23		G_0	24	23	
GND	26	25	GND	GND	26	25	GND
	28	27	DDC_SCL	H_Sync_0	28	27	DDC_SCL_0
	30	29	DDC_SDA	V_Sync_0	30	29	DDC_SDA_0
GND	32	31	GND	GND	32	31	GND
TMDS_CK+	34	33	CEC		34	33	
TMDS_CK-	36	35	HPD		36	35	
GND	38	37	GND	GND	38	37	GND
	40	39			40	39	

Specifications

Form-Factor	mini PCIe
Input I/F	PCI Express 1.0
Output I/F	VGA x 2, HDMI x 1, DVI-D Single Link x 1 (Alternative)
Output Connector	40pin 1.25mm x 2(40DP-1.25)
TDP	1.98W(3.3V x 600mA)
Dimension (WxLxH)	ST: 50.95 x 31.5 x 7 mm, WT: 50.95 x 31.5 x 8.83 mm
Temperature	Operation: STD: 0°C ~ +70°C WT: -40°C ~ +85°C Storage: -55°C ~ +95°C
Environment	Vibration: 5G @7~2000Hz, Shock: 50G @ 0.5ms
Notes	OS Support : Windows XP (32 bit), Windows 7/8/8.1/10 (32/64 bit), Linux Ubuntu 12.04-16.04(32/64bit), Linux Fedora 17-21(32/64bit), Linux CentOS/Redhat 6.5 (32/64bit)-7.2(64bit) Different CN2 cable for HDMI or DVI-D(Alternative). Please download driver from Myinnodisk website.

Order information

EMPV-1201-C1(Standard Temp.)

EMPV-1201-W1(Wide Temp.)

mPCIe to dual VGA & HDMI(DVI-D Single Link) module

7W9000000080 Dual VGA Cable

7W9000000020 HDMI Cable

7W9000000040 DVI Cable

ICP Electronics
Australia Pty Ltd

TEL: 02 9457 6011
sales@icp-australia.com.au
www.icp-australia.com.au

