

MRD-028-NRA

All-in-One Bar-Type Panel PC

EN50155 Certified Intel® Pentium® Processor N4200 All-in-One 27.6" Bar-Type Panel PC with Intel® HD Graphics (Gen9, 18 EUs)



Features

- 27.6" color TFT active matrix, wide LCD with optimum resolution: 1920 x 360 & 1000 nits brightness
- Intel® Pentium® N4200 1.1~1.25GHz Processor with Intel® HD Graphics (Gen9, 18 EUs)
- 2x DDR3L 1866 SO-DIMM, Dual channel, Max. 8GB
- 1x HDMI 1.4b, 1x DP 1.2
- 2x RJ45 for Gigabit LAN
- 1x M.2 B key(3042) for storage or 4G LTE options
- Ruggedized, fanless and compact design

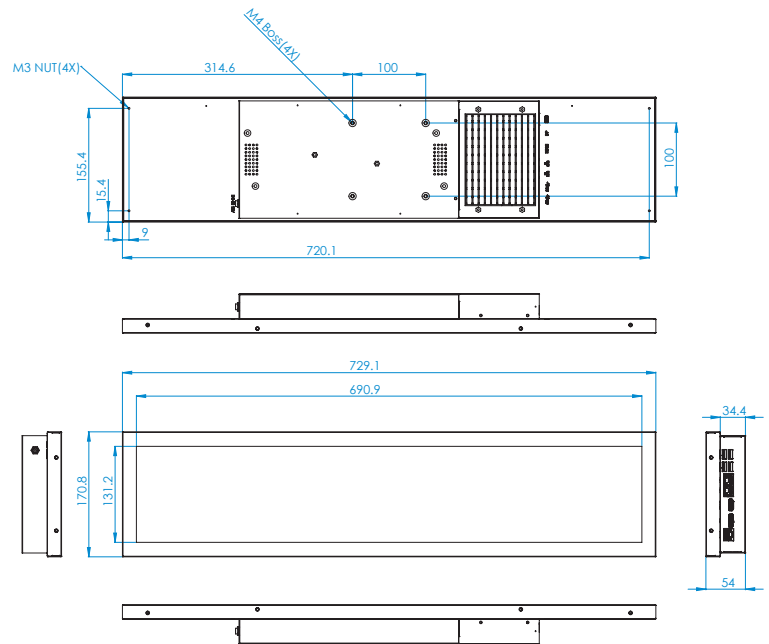
Specifications

Panel Type	27.6" color TFT active matrix, wide LCD
Display Area	688.896(H) x 129.168(V)
Resolution	1920 x 360
Contrast Ratio	3000:1 (typ.)
Viewing Angles	170°(H) / 170°(V)
Response Time	6.5ms (typ.)
Backlight	LED 50,000H
Brightness	1,000 nits (typ.)
Panel Surface	Anti-glare, hard coating (3H)
System Mainboard	IB811F-420
CPU Type	Intel® Pentium® QC N4200 (1.1GHz~2.5GHz, 2MB cache)
CPU Socket	FCBGA1296 (24mm x 31mm)
Chipset	Integrated in Intel® SoC
Memory	2x DDR3L-1866 SO-DIMM, Dual channel, Max 8GB
Graphics	Intel® SoC integrated Generation9 18EUs Gfx
LAN	2x Intel® I210IT or I210AT PCI-E Gigabit LAN
Expansion Slots	1x M.2 B key(3042) for storage or 4G LTE options
I/O Interface	1x HDMI 1.4b 1x DP1.2 2x RJ45 for Gigabit LAN 4x USB 3.0 1x RS-232/422/485 (Jumperless selection)
Auto Control and Monitoring	Watchdog timer: 256 segments, 0, 1, 2...255 sec/min
Power Requirement	+12V DC-in
Construction	Aluminum + SGCC
Weight	5.4 kgs
Chassis Color	Black
Storage	1x mSATA
Power Supply	84W power adapter
Mounting	Side Mounting
Dimensions	729.10mm(W) x 54mm(D) x 170.80mm(H) 28.70"(W) x 2.13"(D) x 6.72"(H)
Operating Temperature	-25°C ~ 55°C (-13°F ~ 131°F)
Storage Temperature	-25°C ~ 80°C (-13°F ~ 176°F)
Relative Humidity	5~90% @ 45°C, (non-condensing)
Vibration	IEC61373 (Vibration class B)
Certification	CE, FCC class B, EN50155 (T1)
Operating System	Win10 32/64-bit Enterprise

Ordering Information

MRD-028-NRA	27.6" All-in-one Resizing Panel PC with Intel® Pentium® QC N4200 (1.1GHz~2.5GHz, 2MB cache), 2GB DDR3L-1866 SO-DIMM, 64GB mSATA
-------------	---

Dimensions



ICP Electronics
Australia Pty Ltd

TEL: 02 9457 6011
sales@icp-australia.com.au
www.icp-australia.com.au

