

Features

- Onboard Intel® Atom™ x5-E3930, 1.8GHz or x7-E3950, 2.0GHz [i-Temp support]
- Onboard LPDDR4 memory
- 1x Intel I210IT PCI-E Gigabit LAN
- Supports TPM (2.0), eMMC5.0 (optional)
- Wide-range operating temperature

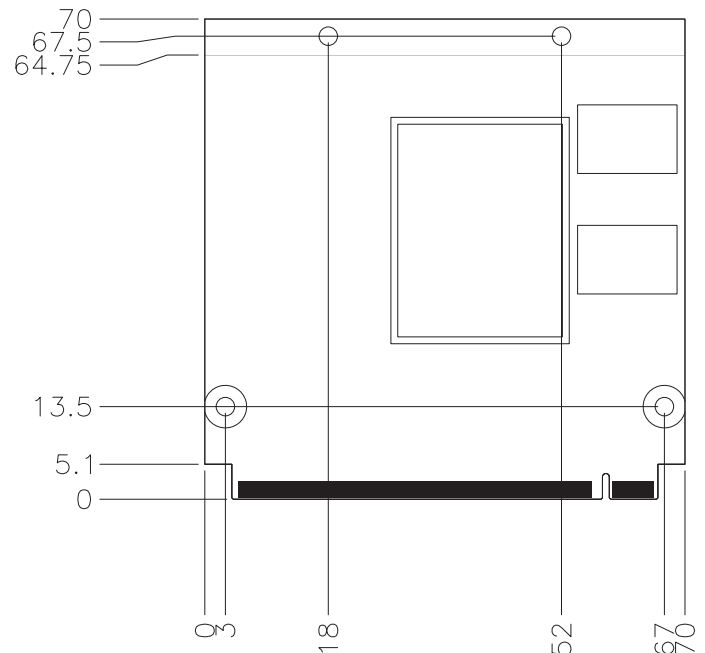
Specifications

CPU Type	Intel® Atom™ QC x5/ E3930 (1.3 GHz~1.8GHz) Intel® Atom™ QC x7/ E3950 (1.6GHz~2.0GHz)
System Memory	Onboard memory, LPDDR4, Max 8GB
System Chipset	Integrated in Intel® SoC
BIOS	AMI
Watchdog Timer	256 levels
SSD	eMMC 5.0 up to 32GB (optional)
H/W Monitor	Yes
Expansion Slot	4x PCI-E(x1)
VGA Controller	Intel® SoC integrated Gen9-LP graphics
VGA Memory	Shared memory
Display Interface	Supports 1x DDI port, 1x eDP or 1x dual-channel LVDS (By option)
LAN Controller	1x Intel® I211IT PCI-E Gigabit LAN
LAN Connector	1x RJ45 on carrier board (IP416)
I/O Chipset	Fintek F81804U-I 1x COM port (RX/TX/RTS/CTS only)
USB	3x USB 3.0, derived from Qseven CPU module 4x USB 2.0, derived from Qseven CPU module
Serial ATA	2x SATA III via carrier board
Audio	Intel® Atom™ SoC built-in HD audio controller
Others	TPM (2.0) , SD, from SoC CPU
Dimensions	70mm x 70mm (2.75" x 2.75 ")
Max. Power Requirement	Intel® Atom™ E3950 1.6GHz w/ 8GB memory, DDR4 1600 +12V: 1.7121A
Operating Temperature	-40°C ~ 85°C (-40°F~185°F)
Storage Temperature	-40°C ~ 90°C (-40°F ~ 194°F)
Relative Humidity	90% (non-condensing @60°C)

Ordering Information

IBQ800-X7LVE8G	Qseven CPU module with Intel® Atom™ E3950 (2.0GHz), eMMC32GB, 8GB memory on board, LVDS support
IBQ800-X5LVE8G	Qseven CPU module with Intel® Atom™ E3930 (1.8GHz), eMMC32GB, 8GB memory on board, LVDS support
IBQ800-X5LVE	Qseven CPU module with Intel® Atom™ E3930 (1.8GHz), eMMC32GB, 4GB memory on board, LVDS support
IBQ800-X5	Qseven CPU module with Intel® Atom™ E3930 (1.8GHz), 4GB memory on board, eDP support
IP416	Qseven (R2.1) carrier board

Dimensions and Drawing



ICP Electronics
Australia Pty Ltd

TEL: 02 9457 6011
sales@icp-australia.com.au
www.icp-australia.com.au

