



## Features

- ISM 2.4 GHz Operating Frequency
- Fully Compliant with IEEE802.15.4/ZigBee Specifications (ZigBee Pro/ZigBee 2007)
- No External Antenna required
- Wireless Transmission Range up to 60 meters (Line of Sight)
- GUI Configuration Software (Windows Version)
- Fully Compliant with the USB 1.1/2.0 (High Speed)
- No External Power Supply required
- Baud Rate up to 115200 bps
- Operating Temperatures, -25 °C ~ +75 °C



## Introduction

The ZT-USB series modules are small-sized wireless ZigBee converters based on the IEEE802.15.4 standard that allow USB interface to be converted to a personal area ZigBee network. The typical transmission of ICP DAS ZT-USB series ZigBee products is 60 meters (LOS, line of sight), with a transmission frequency range of between 2.405 GHz and 2.48 GHz, separated into 5 MHz sectors, providing 16 channels and 16384 PAN IDs. ZT series is not only a long distance wireless converter but also can act a ZigBee router to extend the transmission range and improve the quality of wireless signal.

ZT-USB series products are specification for a suite of high level communication protocols using small, low-power digital radios module, which are fitted the ZigBee 2007 (ZigBee Pro) of ZigBee Alliance. In the ZigBee network, it is only allowed one ZigBee Host and called "ZigBee Coordinator", ZT-USBC is used to initialize and manager the routing. In addition, One ZigBee network are able to manager 255 ZigBee router and responsible for receiving or bypassing data from parent or child node.

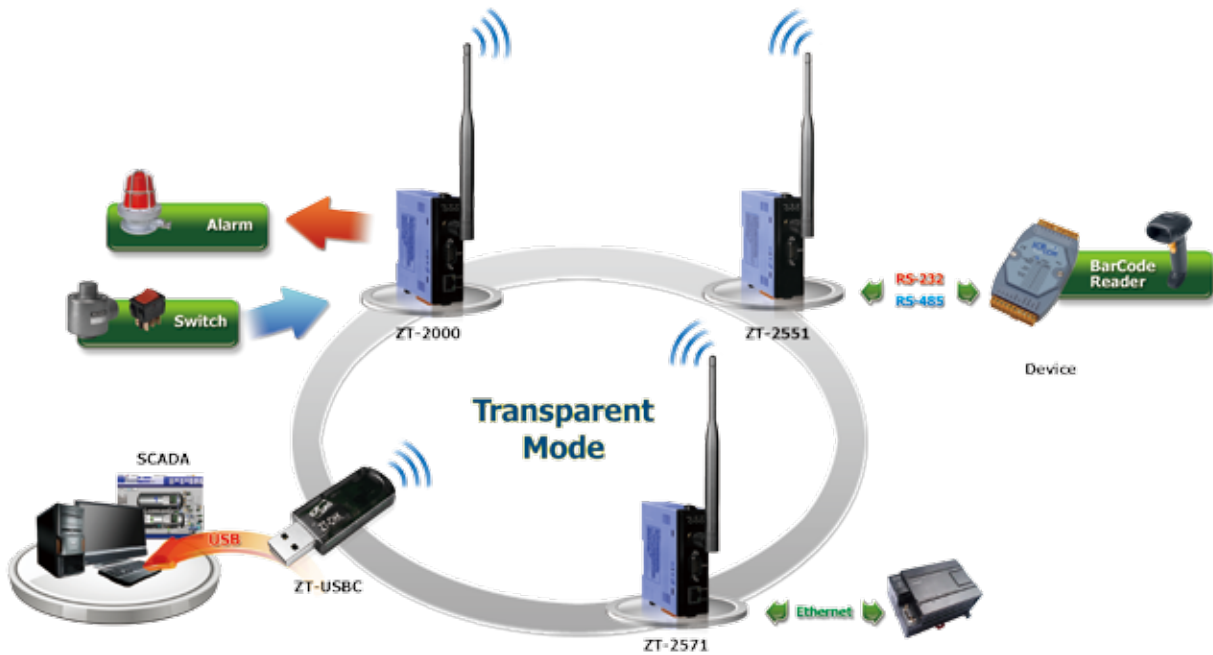
A Windows compatible GUI configuration utility is available. The utility allows users to set different configurations based on the type of application, together with several of required ZigBee variables such as Pan ID. The friendly user interface is also helping user be familiar with ZT-USB and ZT-2000 series.

## Specifications

Hardware		
Temporary Buffer Size		237 Bytes
LED Indicators	ZigBee Communication	1 LED, Red
Communication Interface		
USB	Connector	Type-A Plug
	Compatibility	USB 1.1 and 2.0 standard
	Driver	Windows 2000/XP/Vista/7/8/10 Windows CE 4.2~5.2/6.0/7.0 Linux
	Baud Rate	2400/4800/9600/19200/38400/57600/76800/115200 (bps)
	Data Format	N,8,1/O,8,1/E,8,1
Power		
Required Supply Voltage		USB Socket Powered
Power Consumption		0.3 W(Max.)
Mechanical		
Casing		Plastic
Dimensions (L x W x H)		58.4mm x 19.8mm x 9mm
Environment		
Operating Temperature		-25°C ~ +75°C
Storage Temperature		-30°C ~ +80°C
Relative Humidity		10 ~ 90% RH (non-condensing)
Wireless		
RF Channels		16
RF Transmit Power		3 dBm
Antenna		2.4GHz-3dBi PCB Antenna (50Ω)
Transmit Range (Line of Sight)		60 m (Typical)
Max. Slaves Supported		255

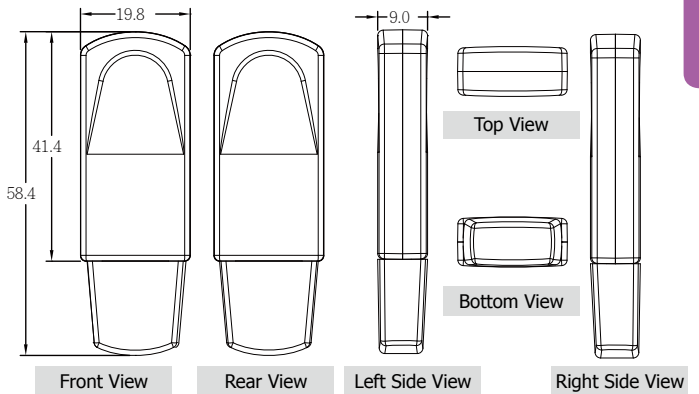
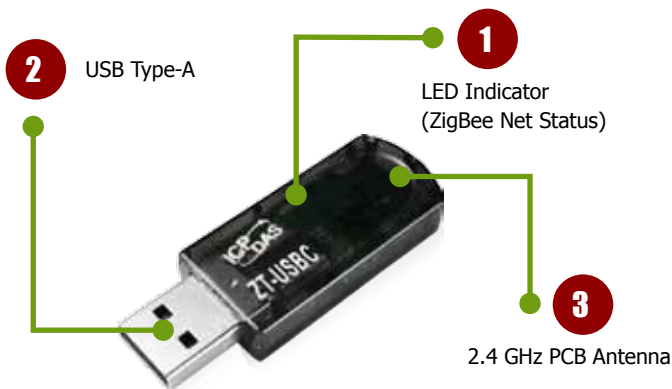
Note: The ZT-USBC doesn't have FCC ID, so ZT-USBC can be sold in Asia Only.

## Applications



## Appearance

## Dimensions (Units: mm)



## Ordering Information

ZT-USBC CR	USB to ZigBee Converter (Host, ZigBee Coordinator) (RoHS)
------------	---

## Accessories

ZT-2550 CR	RS-485/RS-232 to ZigBee Converter (Host, ZigBee Coordinator) (RoHS)
ZT-2551 CR	RS-485/RS-232 to ZigBee Converter (Slave, ZigBee Router) (RoHS)
ZT-2570 CR	Ethernet/RS-485/RS-232 to ZigBee Converter (Host, ZigBee Coordinator) (RoHS)
ZT-2571 CR	Ethernet/RS-485/RS-232 to ZigBee Converter (Slave, ZigBee Router) (RoHS)
ZT-2000 DIO series	Wireless digital input and digital output ZigBee I/O device
ZT-2000 AIO series	Wireless differential analog input and analog output ZigBee I/O device