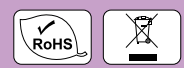




Features

- Can capture over-the-air data packets of IEEE 802.15.4 standard
- No External Antenna required
- Fully Compliant with the USB 1.1/2.0 (High Speed)
- No External Power Supply required
- Operating Temperatures, -25 °C ~ +75 °C



Introduction

The ZT-CHK module is a wireless sniffer to capture and analyze over-the-air data packets of IEEE 802.15.4 standard in real-time with TI SmartRF Protocol Packet Sniffer (SPPS) software. It is easy to install the ZT-CHK to PC by USB interface. With SPPS software, users can view or store the wireless data packets in PC and these data packets are like ZigBee 2007(ZigBee Pro). Moreover, that can be a good way for users to analyze the IEEE 802.15.4 data in their applications, and reduce the wireless communication test time efficiently.

SmartRF Protocol Packet Sniffer can be downloaded as below website (<http://www.ti.com/tool/packet-sniffer>). When users install the SmartRF Protocol Packet Sniffer, the driver of ZT-CHK will also be installed.

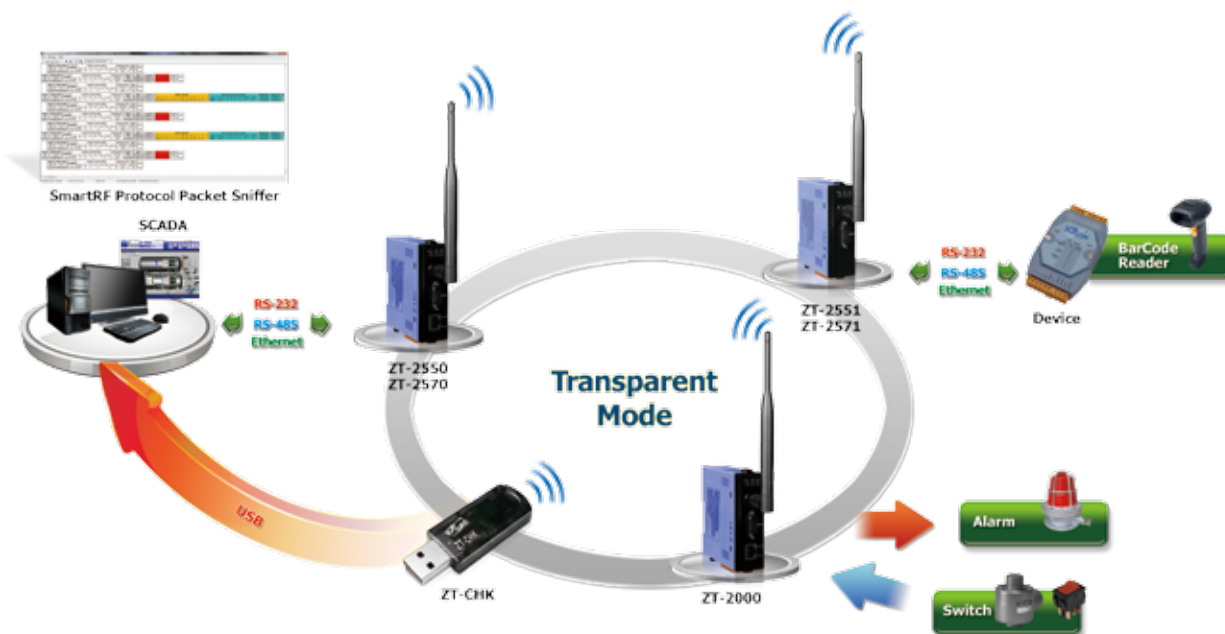


Specifications

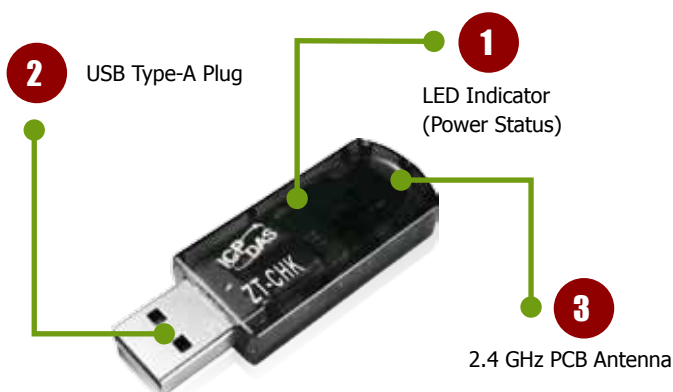
Hardware		
MCU Module		TI CC2531
LED Indicators	Power	1 LED, Red
Communication Interface		
USB	Connector	Type-A Plug
	Compatibility	USB 1.1 and 2.0 standard
	Driver	Windows 2000/XP/Vista/7/8
Power		
Required Supply Voltage		USB Socket Powered
Power Consumption		0.15 W (Max.)
Mechanical		
Casing		Plastic
Dimensions (L x W x H)		58.4 mm x 19.8 mm x 9mm
Environment		
Operating Temperature		-25°C ~ +75°C
Storage Temperature		-30°C ~ +80°C
Relative Humidity		10 ~ 90% RH (non-condensing)
Wireless		
Antenna		2.4GHz-3dBi PCB Antenna (50Ω)
Receiving Range (Line of Sight)		60 m (Typical)

Note: The ZT-CHK doesn't have FCC ID, so ZT-CHK can be sold in Asia Only.

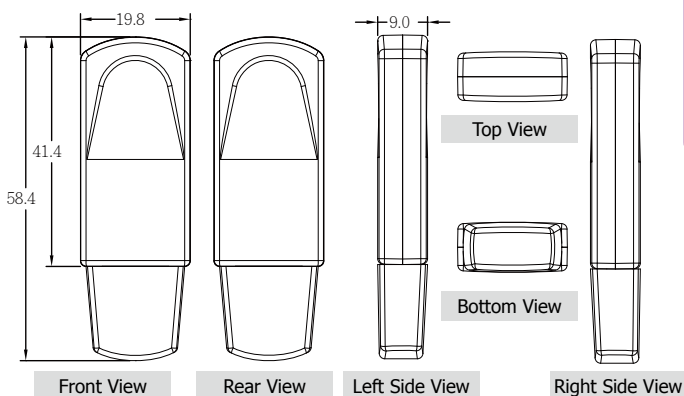
Applications



Appearance



Dimensions (Units: mm)



Ordering Information

ZT-CHK CR	ZigBee Sniffer (RoHS)
-----------	-----------------------

Accessories

ZT-2550 CR	RS-485/RS-232 to ZigBee Converter (Host, ZigBee Coordinator) (RoHS)
ZT-2551 CR	RS-485/RS-232 to ZigBee Converter (Slave, ZigBee Router) (RoHS)
ZT-2570 CR	Ethernet/RS-485/RS-232 to ZigBee Converter (Host, ZigBee Coordinator) (RoHS)
ZT-2571 CR	Ethernet/RS-485/RS-232 to ZigBee Converter (Slave, ZigBee Router) (RoHS)
ZT-2000 DIO series	Wireless digital input and digital output ZigBee I/O device
ZT-2000 AIO series	Wireless differential analog input and analog output ZigBee I/O device