



XP-9000-WES7

Highlight Information

- Windows Embedded Standard 7 SP1
- E3845 (1.91 GHz, 64-bit quad core) CPU for XP-9x81-WES7
- E3827 (1.75 GHz, 64-bit dual core) CPU for XP-9x71-WES7
- Support eLogger HMI (free)
- 64-bit Hardware Serial Number
- Rich I/O Expansion Ability (RS-232/RS-485, FRnet)
- Redundant Power Input

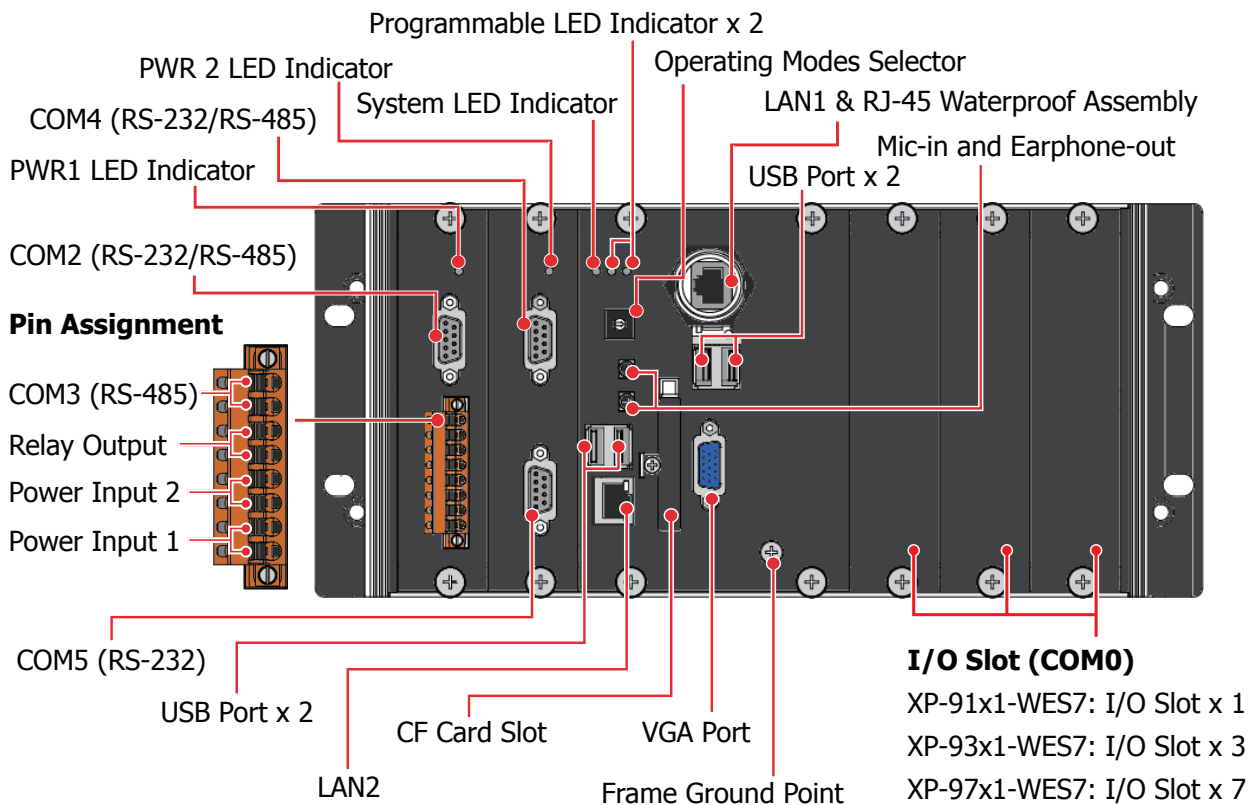


Introduction

The XP-9000-WES7 are WES7 based PACs that combine computing, I/O, and operator interface into a single unit, and provide the perfect solution for integrating HMI, data acquisition and control in an individual PAC. It is equipped with an Intel E3845/E3827 CPU, 1/3/7 I/O expansion slots and a variety of connectives including dual Gigabit Ethernet, VGA , USB port, RS-232 and RS-485 interface. Local I/O slots are available to use our I-9K and I-97K series I/O modules and remote I/O expansions are available to use our Ethernet I/O modules and RS-485 I/O modules.

Since WES7 has the same Win32 API as Windows 7, most popular applications on desktop can run on WES7 based controllers.

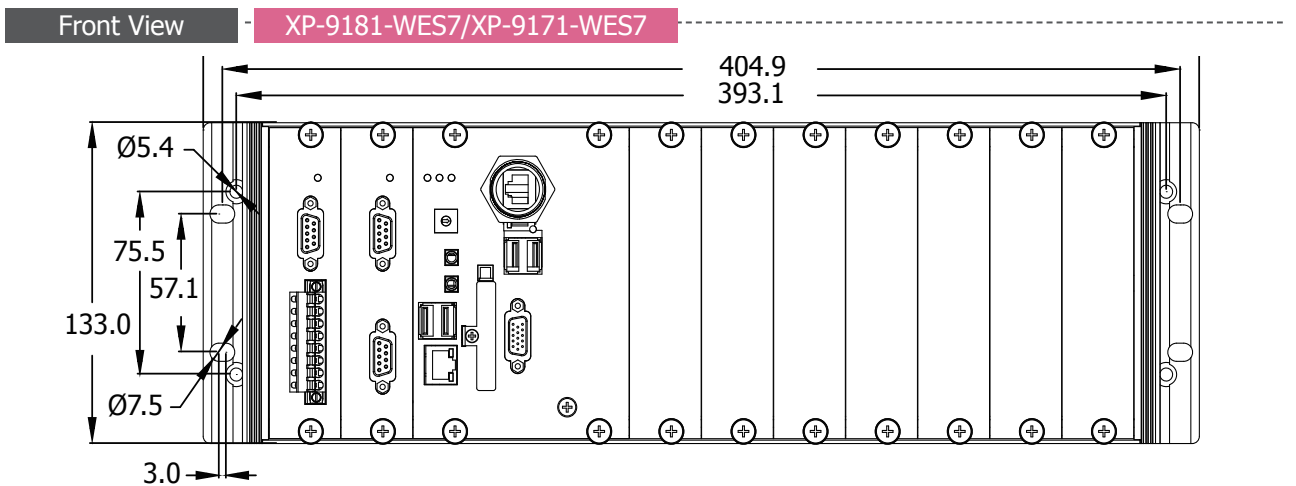
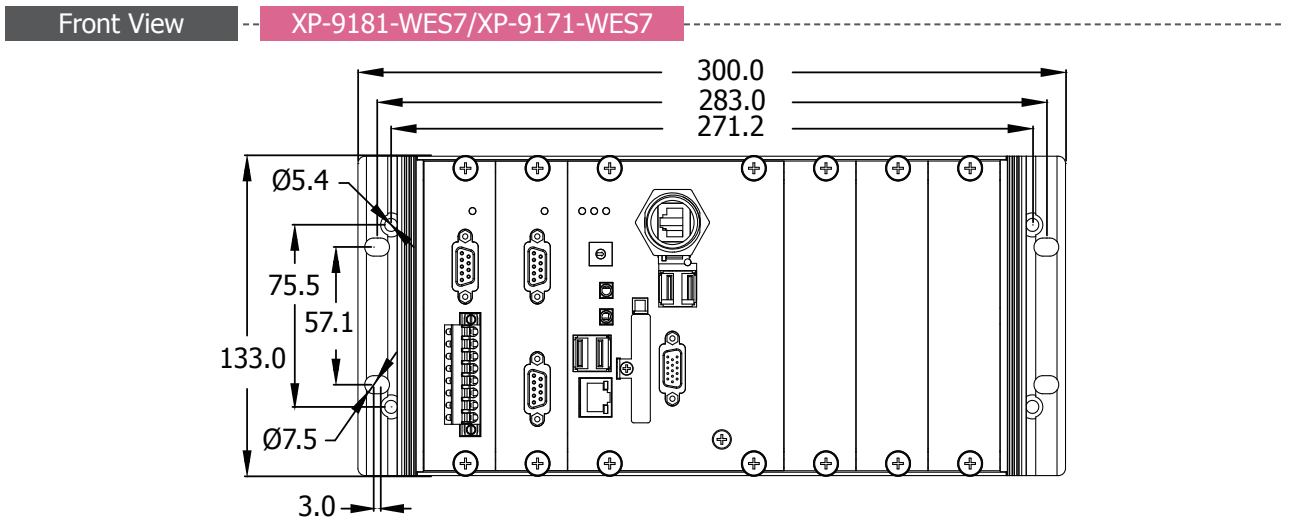
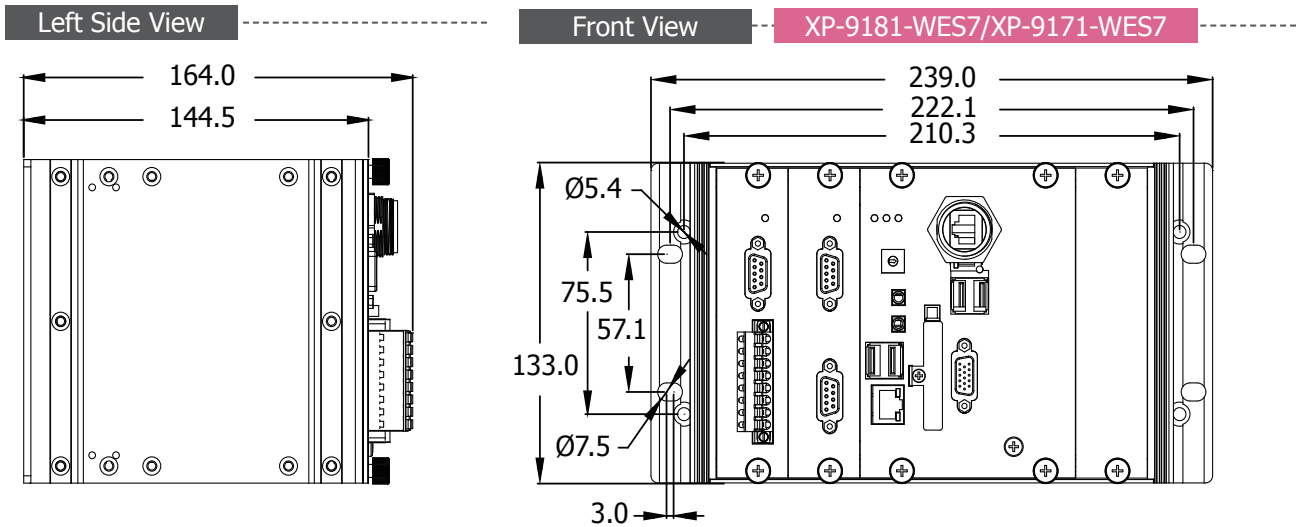
Appearance



Specifications

Models	XP-9171-WES7	XP-9371-WES7	XP-9771-WES7
System Software			
OS	Windows Embedded Standard 7 SP1		
.Net Compact Framework	.Net Framework 3.5, 4.0, 4.5		
Embedded Service	IE11, FTP Server, IIS 7.0, ASP (Java Script, VB Script)		
SDK Provided	DII for VC, DII for Visual Studio.Net		
Multilanguage Support	English, German, French, Spanish, Portuguese, Russian, Italian, Korean, Japanese, Simplified Chinese, Traditional Chinese		
CPU Module			
CPU	E3827 (1.75 GHz, 64-bit dual core)		
SDRAM	2 GB DDR3		
MRAM	128 KB		
Flash (SSD)	mSATA slot with one 32 GB SSD		
EEPROM	16 kB		
CF	CF socket with one 16 GB CF card (support up to 32 GB)		
RTC (Real Time Clock)	Provide second, minute, hour, date, day of week, month, year		
64-bit Hardware Serial Number	Yes, for Software Copy Protection		
Dual Watchdog Timers	Yes		
Programmable LED Indicator	2 (L1, L2)		
Rotary Switch	Yes (0 ~ 9)		
VGA & Communication Ports			
VGA Resolution	1280 x 1024 to 1920 x 1080 (16 : 9) /640 x 480 to 1024 x 768 (4 : 3)		
Dual Ethernet Ports	RJ-45, 10/100/1000M Base-TX (Auto-negotiating, Auto MDI/MDI-X, LED indicators)		
USB 2.0	4		
COM1	Internal communication with the I-97K series modules in slots		
COM2	RS-232/485 (RxD, TxD and GND for RS-232; Data+, Data- for RS-485); 3000 Vdc isolated		
COM3	RS-485 (Data+, Data-); 3000 VDC isolated		
COM4	RS-232/485 (RxD, TxD, CTS, RTS and GND for RS-232; Data+, Data- for RS-485); 3000 Vdc isolated		
COM5	RS-232 (RxD, TxD, CTS, RTS, DSR, DTR, CD, RI and GND); 3000 Vdc isolated		
Audio	Mic-in and Earphone-out		
I/O Expansion Slot	1	3	7
Mechanical			
Dimensions (W x L x H)	239 mm x 164 mm x 133 mm	300 mm x 164 mm x 133 mm	422 mm x 164 mm x 133 mm
Installation	DIN-Rail Mounting/Wall Mounting		
Environmental			
Operating Temperature	-25 to +75 °C		
Storage Temperature	-30 to +80 °C		
Ambient Relative Humidity	10 to 90% RH (non-condensing)		
Power			
Input Range	+10 to +30 VDC		
Isolation	1 kV		
Redundant Power Inputs	Yes, with one power relay (1 A @ 24 Vdc) for alarm		
Capacity	3.7 A, 5 V supply to CPU and backplane, 3.3 A, 5 V supply to I/O expansion slots, 35 W in total	3.8 A, 5 V supply to CPU and backplane, 3.2 A, 5 V supply to I/O expansion slots, 35 W in total	4.0 A, 5 V supply to CPU and backplane, 3.0 A, 5 V supply to I/O expansion slots, 35 W in total
Consumption	16.6 W (0.69 A @ 24 VDC)	16.8 W (0.7 A @ 24 Vdc)	18 W (0.75 A @ 24 VDC)

Dimensions



Ordering Information

XP-9181-WES7	Standard XP-9000-WES7 with E3845 CPU, WES7 OS and 1 I/O Slot
XP-9381-WES7	Standard XP-9000-WES7 with E3845 CPU, WES7 OS and 3 I/O Slots
XP-9781-WES7	Standard XP-9000-WES7 with E3845 CPU, WES7 OS and 7 I/O Slots
XP-9171-WES7	Standard XP-9000-WES7 with E3827 CPU, WES7 OS and 1 I/O Slot
XP-9371-WES7	Standard XP-9000-WES7 with E3827 CPU, WES7 OS and 3 I/O Slot
XP-9771-WES7	Standard XP-9000-WES7 with E3827 CPU, WES7 OS and 7 I/O Slot