



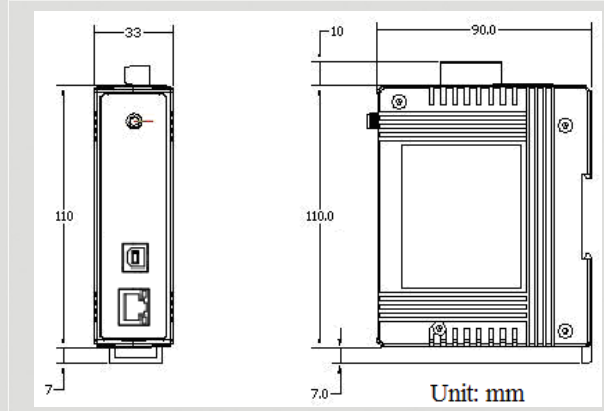
Wi-Fi Series Products



Ethernet to Wi-Fi Bridge



WF-2571

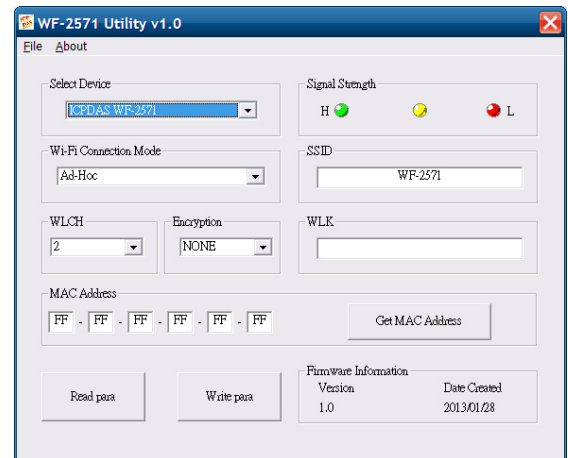


Dimensions

The WF-2571 is an Industrial Ethernet to Wi-Fi Bridge that creates a connection between an 802.11b/g wireless LAN and a device with a standard Ethernet port. The Bridge transparently conveys data between devices with a 100Base-TX Ethernet interface and a wireless LAN without drivers or complicated addressing schemes. This significantly reduces the complexity of network connectivity and wireless system deployment and also provides wireless LAN and Internet connectivity to industrial, scientific and automotive applications.

Features

- Compatible with IEEE 802.11b/g standards
- Supports Infrastructure and Ad-hoc mode
- Enterprise Class wireless security (WEP, WPA and WPA2)
- Plug-and-Play Ethernet to Wi-Fi connectivity
- USB-based configuration
- No driver installation required
- Built-in Watchdog
- Extended operating temperature range (-25°C ~ +75°C)

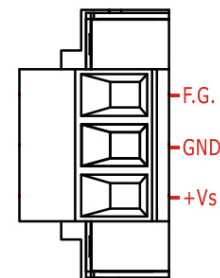


Utility Features

WF-2571 utility provides an easy way to configure the wireless connection settings via USB interface without any drivers.

- Easily and quickly configure
- Provide parameter storage interface
- Provide encryption configuration
- Provide signal strength indicator

Pin Assignments



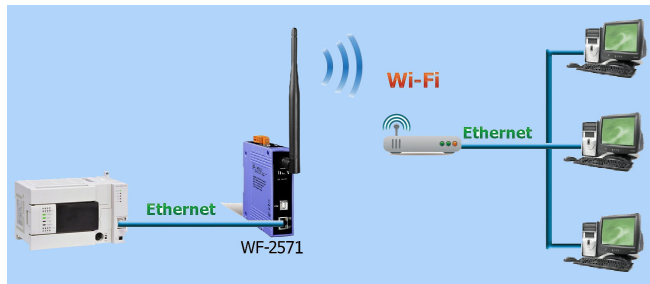
3-pin screw terminal connector



Hardware Specifications

Wi-Fi Interface	
Antenna	5 dBi (Omni-Directional)
Standard Supported	IEEE 802.11b/g
Network Access Modes	Infrastructure & Ad-hoc
Encryption	WEP-64, WEP-128, WPA-PSK(TKIP) and WPA2-PSK(AES)
Transmission Range	100 meters (LOS)
Ethernet Interface	
Controller	100Base-TX Ethernet Controller (Auto-MDIX)
Connector	RJ-45 with LED indicator
USB Interface	
Type	USB 2.0 Full-Speed
Connector	USB type B
LED Indicators	
System status	3 Indicator LEDs (PWR, LINK, COMM)
Signal strength	3 Indicator LEDs (High, Mid, Low)
Power	
Input Voltage Range	10V ~ 30V
Power Consumption	1.6W
Mechanism	
Installation	DIN-Rail
Dimensions	33mm x 95mm x 120mm (W x L x H)
Environment	
Operating Temperature	-25°C ~ +75°C
Storage Temperature	-30°C ~ +80°C
Humidity	10% ~ 90%

Applications



AP connection



Ad-Hoc connection

Ordering Information

WF-2571 CR

Ethernet to Wi-Fi Bridge (RoHS)