



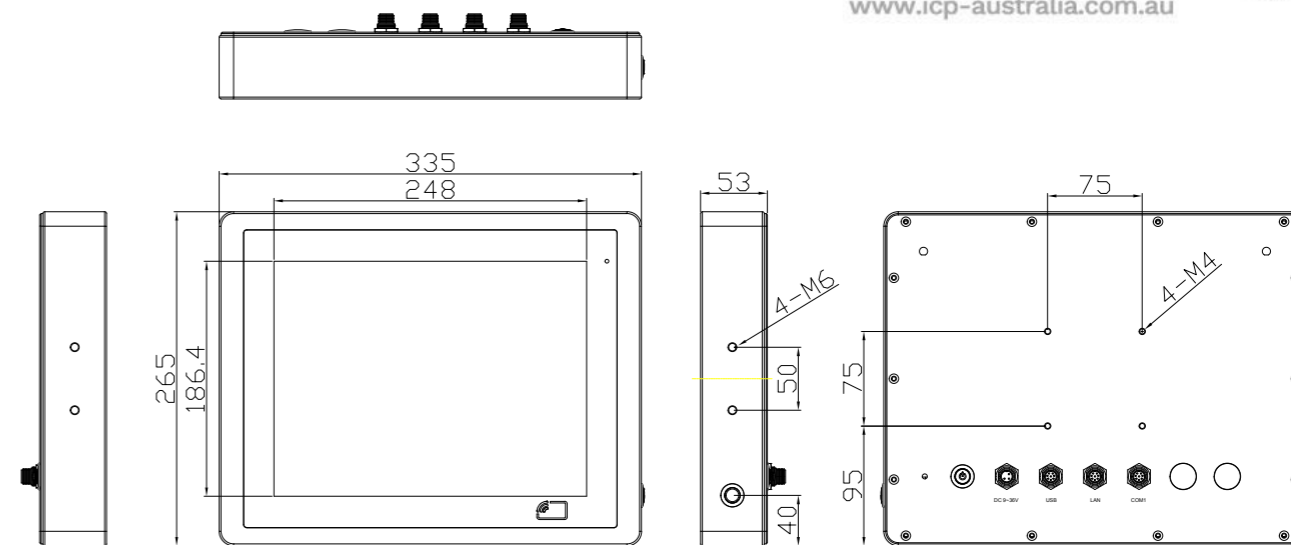
Features

- 12.1" New Generation Stainless Steel Panel PC
- Intel Celeron N2930 1.83GHz Onboard Processor
- True Flat Front Bezel Design and Grade 304 Stainless Steel Enclosure (Grade 316 for Option)
- IP66/IP69K Rated with M12 Connectors
- Support Resistive Touch, Projected Capacitive Touch, and Glass
- Touch on/off Button on the Side Edge for Hygienic Cleaning
- Support Ergonomic Versatile Mounting: Yoke Mounting / Space-saving VESA 75 x 75 mm Mounting

Specifications

System		
CPU	Celeron N2930 Processor(2M Cache,1.83GHz)	
System Chipset	SoC	
Memory	Onboard 4GB DDR3L SDRAM , up to 8GB(option)	
IO Port		
USB	1 x M12 8-pin for USB 2.0 with waterproof cover and chain	
Serial / Parallel	1 x M12 8-pin COM1, RS-232/422/485, default RS-232, with waterproof cover and chain	
LAN	1 x M12 8-pin for LAN with waterproof cover and chain	
Others	1 x Touch on/off button on the side	
Power Connector	1 x M12 3-pin for DC power with waterproof cover and chain 1 x Power switch on the side	
Option	2 x optional blank M12 connector with waterproof cover and chain for selecting two from the following options: 2 x USB 2.0 1 x USB 3.0 1 x LAN (POE for option) 1 x COM 1 x CAN	
Storage Space		
HDD	1 x 2.5" SATA3 HDD	
Expansion		
Expansion Slot	1 x miniPCIe slot for WIFI/BT(optional), 4G/LTE(optional)	
RFID module	RFID module design on the front side(optional)	
Display		
	Standard	High Brightness Optional
Display Type	12.1" TFT-LCD	12.1" TFT-LCD
Max. Resolution	800 x 600 1024 x 768 (optional)	800 x 600 1024 x 768 (optional)
Max. Color	262K / 16.2M (optional)	262K / 16.2M (optional)
Luminance (cd/m ²)	450 / 500 (optional)	1000
View Angle	160(H) / 150(V) 160(H) / 140(V) (optional)	178(H) / 178(V) 160(H) / 140(V) (optional)
Contrast	800:1 / 700:1 (optional)	700:1
Backlight Lifetime	50,000 hrs 30,000 hrs (optional)	50,000 hrs
Touch Screen		
Type	Resistive Touch (For R model) / Projected Capacitive Touch (For P model) / Glass (For G model)	
Interface	USB	
Light Transmission(%)	Resistive Touch : 80% / Projected Capacitive : 90%	
Power		
Power Input	DC 9~36V	
Power Consumption	ViTAM-812P:21W	

Dimensions



UNIT: mm
Tolerance:±0.5

Mechanical	
Construction	304 Stainless steel chassis(default), 316 Stainless steel chassis(optional)
Mounting	VESA mount 75 x 75, Yoke mount for optional
IP Rating	Total IP66/IP69K
Dimensions	335 x 265 x 53 mm
Net Weight	5.3 kg
Environmental	
Operating Temperature	0~50°C
Storage Temperature	-30~70°C
Storage Humidity	10 to 90% @ 40°C, non- condensing
Certificate	CE/FCC Class A
Operating System Support	
WEC 7, Windows Embedded 7, Windows Embedded 8.1, Windows 10 IoT ENT LTSC	
Ordering Information	
ViTAM-812P	12.1" SVGA IP66/IP69K stainless steel panel pc, Celeron N2930 Processor, 4GB DDR3L RAM, 32G MLC SSD, projected capacitive touch, 9~36V DC power input with Adapter
ViTAM-812R	12.1" SVGA IP66/IP69K stainless steel panel pc, Celeron N2930 Processor, 4GB DDR3L RAM, 32G MLC SSD, 5 wire resistive touch window, 9~36V DC power input with Adapter
ViTAM-812G	12.1" SVGA IP66/IP69K stainless steel panel panel pc, Celeron N2930 Processor, 4GB DDR3L RAM, 32G MLC SSD, protection glass, 9~36V DC power input with Adapter
ViTAM-812PH	12.1" SVGA IP66/IP69K stainless steel panel pc, Celeron N2930 Processor, 4GB DDR3L RAM, 32G MLC SSD, projected capacitive touch, 9~36V DC power input with Adapter, 1,000 nits LCD
ViTAM-812RH	12.1" SVGA IP66/IP69K stainless steel panel pc, Celeron N2930 Processor, 4GB DDR3L RAM, 32G MLC SSD, 5 wire resistive touch window, 9~36V DC power input with Adapter, 1,000 nits LCD
ViTAM-812GH	12.1" SVGA IP66/IP69K stainless steel panel panel pc, Celeron N2930 Processor, 4GB DDR3L RAM, 32G MLC SSD, protection glass, 9~36V DC power input with Adapter, 1,000 nits LCD

ICP Electronics Australia Pty Ltd
 TEL: 02 9457 6011
 sales@icp-australia.com.au
 www.icp-australia.com.au