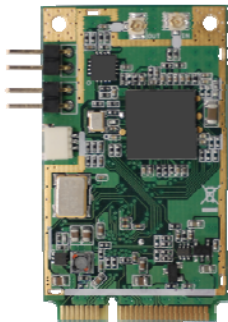
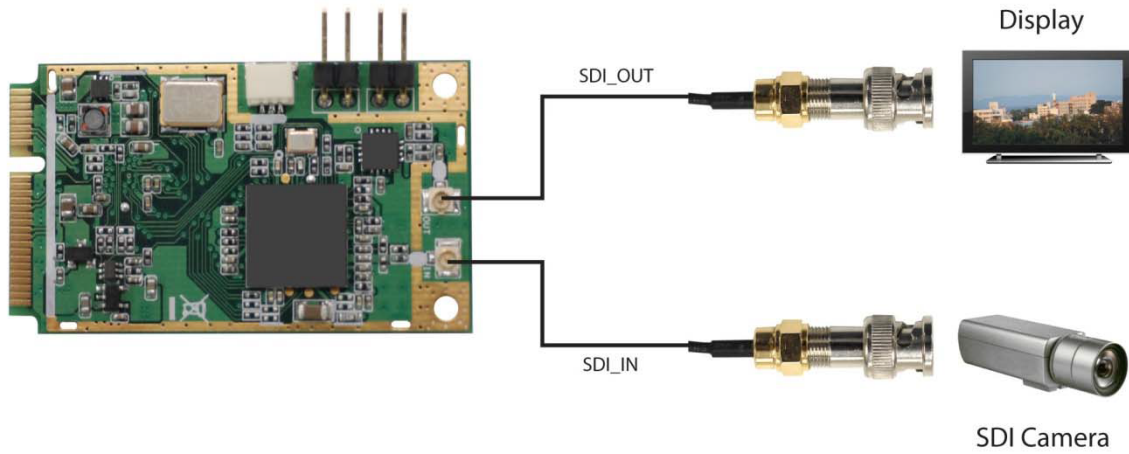


VDB500 Product Series Hardware Specification	
Model	VDB500 N1 MC SDI
Max. FPS	30/25fps @ 1920x1080p
Recording Mode	Software Compression, Real-Time Mode
Product Photo	
Dimension	30 × 50.95 (mm)
Interface	Minicard (PCIe x1)
Video Input	1 × SDI
Display Video Format	YUY2
Display Video Resolution	1920×1080p@30/25/24fps 1920×1080i@60/50fps 1280×720p@60/50fps 720×480i@60fps 720×576i@50fps
Recording Video Format	MPEG4 / H.264 (Software Compression)
Recording Video Resolution	1920×1080p@30/25/24fps 1920×1080i@60/50fps 1280×720p@60/50fps 720×480i@60fps 720×576i@50fps
Audio Input	SDI Embedded Audio 2 × RCA (Audio L/R Through wafer connector to RCA cable)
Audio Format	Stereo / 16-bit / 32000 ~ 48000Hz
I/O	n/a
WatchDog	✓
Multiple Cards	∞
SDK	VC++ / .NET / VB / V4L2
System Requirement	
OS Support	Windows XP / Vista / Windows 7 Linux 2.6.14 or Higher (32-bit and 64-bit)

VDB500 N1 MC SDI Connection Diagram (1 x SDI + 1 x Audio L/R)



ICP Electronics
Australia Pty Ltd

TEL: 02 9457 6011
sales@icp-australia.com.au
www.icp-australia.com.au

