

Specifications

System Mainboard	MBD304
CPU Type	2nd Generation R-Series QC RX-427BB 2.7/3.6GHz DC RX-225FB 2.2GHz/3.0GHz APU
CPU Socket	FP3 BGA package, 32x29mm
Chipset	AMD A77E
Memory	2x DDR3-2133 SO-DIMM, Dual channel, Max. 32GB
Graphics	Radeon™ HD 9000 series GPU
LAN	1x Realtek RTL8111G Gigabit LAN controller 1x Realtek RTL8111EP-CG LAN controller
Expansion Slots	1x Mini PCI-E (full-size) for mSATA, Wi-Fi, Bluetooth or 4G LTE options 1x Mini PCI-E (full-size) for Wi-Fi, Bluetooth or 4G LTE options 1x UIM/SIM card slot (for 4G/LTE adaptor in mPCI-E slot)
I/O Interface	4x HDMI 1.4b with Hardware EDID emulation 2x USB 3.0 1x USB 2.0 2x RJ45 for LAN 1x RJ45 for RS232 1x Microjack audio connector for Line-out Power LED / HDD LED, power on/off button 1x DC power jack
Auto Control and Monitoring	256 segments, 0, 1, 2...255 (sec/min)
Power Requirement	+12V DC-in
Construction	Aluminum + SGCC
Weight	2.1kg (4.63lbs)
Chassis Color	Black & white
Storage	1x M.2 M-Key (2280)
Power Supply	84W power adaptor
Mounting	Slim design with wall mounting holes
Dimensions	269mm(W) x 193mm(D) x 31.5mm(H) 10.59"(W) x 7.6"(D) x 1.24"(H)
Operating Temperature	0°C ~ 45°C (32°F ~ 113°F)
Storage Temperature	-20°C ~ 80°C (-4°F ~ 176°F)
Relative Humidity	5~90% @ 45°C, (non-condensing)
Vibration	SSD: 5 grms / 5~500Hz / random operation HDD: 0.25 grms / 5~500Hz / random operation
Certification	CE, FCC class B, cULus & CCC
Operating System	Windows® 7 (32/64-bit), Windows 8.1† (32/64-bit) Windows 10 (64-bit) Window Embedded Standard 7 (32/64-bit) Window Embedded Standard 8 (32/64-bit) Linux Closed Source (64-bit), Linux Open Source (64-bit)

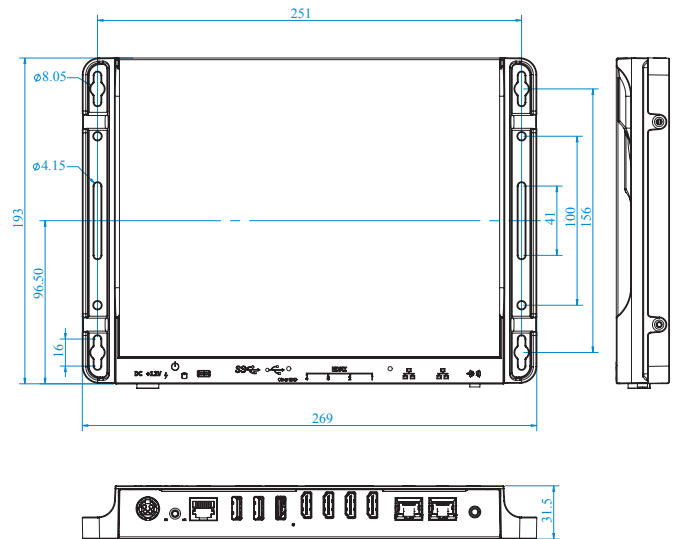
Features

- iSMART - for EuP/ErP power saving, auto-scheduling and power resume
- 2nd Generation AMD Embedded R-Series APU (Codename: "Bald Eagle"), up to 35W
- AMD Radeon™ HD 9000 series GPU
- 4x HDMI 1.4b with independent audio output support
- Built-in hardware EDID emulation function
- 2x DDR3-2133 SO-DIMM, Dual channel, Max. 32GB
- 1x Mini PCI-E for mSATA, Wi-Fi, Bluetooth or 4G LTE options
- 1x Mini PCI-E for Wi-Fi, Bluetooth or 4G LTE options
- Segregated flow ventilation design

Ordering Information

SI-304-427	Signage Player with MBD304 w/ AMD 4 Cores RX-427BB 2.7GHz/3.6 GHz APU, 2x 4GB DDR3 SO-DIMM 2133, M.2 64GB, 84W power adaptor (RoHS)
SI-304-225	Signage Player with MBD304 w/ AMD 2 Cores RX-225FB 2.2GHz/3.0GHz APU, 2x 4GB DDR3 SO-DIMM 1600, M.2 64GB, 84W power adaptor, (RoHS)
SI-MK3A	Mounting bracket for SI-304/SI-122-N/SI-313/SI-313-N/SI-324/SI-613/SI-623 series
SI-1U-AD	1U Rackmount kit
HDMI Cable Holder	SI-304/SI-324 HDMI bracket kit

Dimensions



ICP Electronics
Australia Pty Ltd

TEL: 02 9457 6011
sales@icp-australia.com.au
www.icp-australia.com.au

