



Specifications

System Mainboard	IB922
CPU Type	AMD G-Series; Quad-Core GX-415GA @ 1.5GHz
CPU Socket	FT3 BGA package
Chipset	SoC Integrated
Memory	1x DDR3 1600 MHz SO-DIMM, Max. 8GB (Non-ECC)
Graphics	AMD Radeon™ HD8330E graphics integrated in APU <ul style="list-style-type: none"> DirectX 11.1 Direct Compute 11 Open GL 4.0 OpenCL 1.1 UVD4.2 Hardware Video Decoder –H.264, MPEG-2, VC-1, MPEG4 (DivX), and WMV VCE 2.0 –Video conferencing, wireless display. H.264, SVC
LAN	1x Realtek RTL8111DP Gigabit LAN controller
Expansion Slots	1x Mini PCI-E(full-size) for Wi-Fi, Bluetooth or 4G LTE options 1x SIM card slot
I/O Interface	2x HDMI 1.4a 2x USB 3.0 ports, 1x USB 2.0 port 1x RJ45 for LAN, 1x RJ45 for RS232 2x Microjack audio connectors for Line-in / Line-out Power LED, 1x power on/off button 1x DC jack
Auto Control and Monitoring	Watchdog Timer: 256 segments, 0, 1, 2...255 (sec/min)
Power Requirement	+12V DC-in
Construction	Aluminum + SGCC
Weight	0.9 kgs (1.98 lbs)
Chassis Color	Black & white
Storage	1x mSATA
Power Supply	60W power adaptor
Mounting	Standard system bracket
Dimensions	190mm(W) x 130mm(D) x 19.5mm(H) 7.48"(W) x 5.12"(D) x 0.77"(H)
Operating Temperature	0°C ~ 45°C (32°F ~ 113°F)
Storage Temperature	-20°C ~ 80°C (-4°F ~ 176°F)
Relative Humidity	5~90% @ 45°C, (non-condensing)
Vibration	mSATA: 5 grms / 5~500Hz / random operation
Certification	CE, FCC class B, VCCI class B, cULus & CCC
Operating System	Windows® 7 (32/64-bit), Windows 8.1† (32/64-bit) Windows 10 (64-bit), Windows 10 IoT Enterprise (64-bit) Window Embedded Standard 7 (32/64-bit) Window Embedded Standard 8 (32/64-bit) Linux Closed Source (64-bit), Linux Open Source (64-bit)

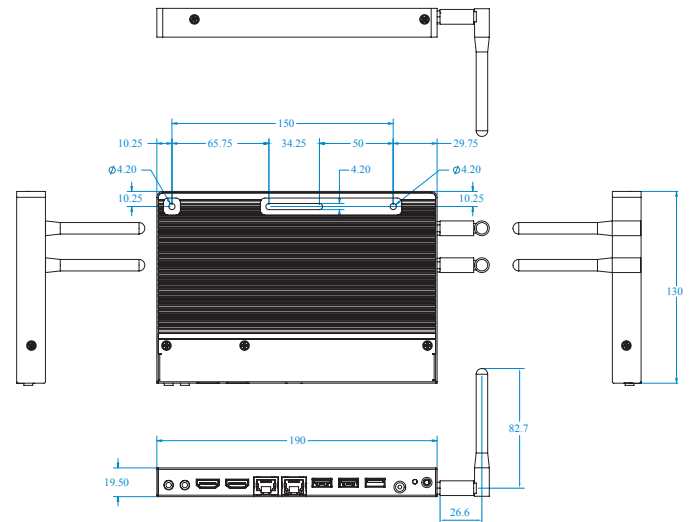
Features

- iSMART - for EuP/ErP power saving, auto-scheduling and power resume
- 2nd Generation AMD Embedded G-Series SoC APU series
- Integrated 80 Core DirectX 11.1 GPU in processor
- Supports 2x HDMI 1.4a
- 1x DDR3-1600 SO-DIMM, single channel, Max. 8GB
- 1x Mini PCI-E (full-size) for Wi-Fi, Bluetooth or 4G LTE options
- Fanless, super slim and compact design

Ordering Information

SI-22-415	Signage Player with G-Series Quad-Core @ 1.5 GHz APU, 4GB DDR3 SO-DIMM, 64GB mSATA, 60W power adaptor
SI-MK1	Mounting bracket for SI-06/08/12/18/22 series
SI-1U-AD	1U Rackmount kit
HDMI Cable Holder	SI-22 HDMI bracket kit

Dimensions



ICP Electronics
Australia Pty Ltd

TEL: 02 9457 6011
sales@icp-australia.com.au
www.icp-australia.com.au

