



Specifications

System Mainboard	IB812
CPU Type	Intel® Atom™ Processor E3845 Quad-Core @ 1.91GHz/E3825 Dual-Core @ 1.33 GHz
CPU Socket	FCBGA 1170 BGA -- aka Atom™ "Type 3" (25mm x 27mm)
Chipset	SoC Integrated
Memory	2x DDR3L-1333 SO-DIMMs, dual-channel, Max. 8GB (Non-ECC)
Graphics	Intel® HD graphics (Generation 7-LP) 4EU
LAN	1x Realtek RTL8111G-CG Gigabit LAN controller
Expansion Slots	1x Mini PCI-E (full-size) for Wi-Fi, Bluetooth or 4G options 1x UIM/SIM card slot (for 4G/LTE adaptor in mPCI-E slot)
I/O Interface	2x HDMI 1.4a 1x USB 3.0 port, 2x USB 2.0 1x RJ45 for Gigabit LAN 1x RJ45 for RS232 serial port 2x audio connectors for Line-in / Line-out Power / HDD LED, 1x power on/off button 1x DC jack
Auto Control and Monitoring	Watchdog Timer: 256 segments, 0, 1, 2...255 sec/min
Power Requirement	+12V DC-in
Construction	Aluminum + SGCC
Weight	0.8 kgs (1.76 lbs)
Chassis Color	Black & white
Storage	1x mSATA
Power Supply	60W power adaptor
Mounting	Standard system bracket
Dimensions	190mm(W) x 130mm(D) x 19.5mm(H) 7.48"(W) x 5.12"(D) x 0.77"(H)
Operating Temperature	-30°C ~ 60°C (-22°F ~ 140°F)
Storage Temperature	-40°C ~ 80°C (-40°F ~ 176°F)
Relative Humidity	5~90% @ 45°C, (non-condensing)
Vibration	mSATA: 5 grms / 5~500Hz / random operation
Certification	CE, FCC class B, VCCI class B, cULus & CCC
Operating System	Win7 32/64-bit, Win8, Win8.1, WEI8.1, WEC 2013, Win10 32/64-bit Enterprise

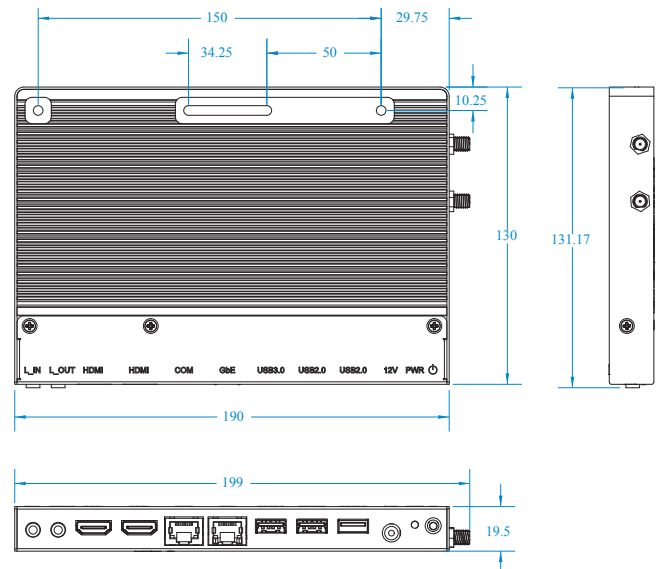
Features

- iSMART - for EuP/ErP power saving, auto-scheduling and power resume
- Intel® Atom™ Processor E3845 Quad-Core @ 1.91GHz/E3825 Dual-Core @ 1.33GHz
- Intel® HD Graphics (Generation 7-LP) 4EU
- 2x DDR3L-1333 SO-DIMM, dual-channel, Max. 8GB
- 2x HDMI 1.4a
- 1x Mini PCI-E (full-size) for Wi-Fi, Bluetooth or 4G options
- Fanless, super slim and compact design
- Wide-range operating temperature from -30°C to 60°C

Ordering Information

SI-12	Signage Player with Intel® Atom™ E3845 SoC (22nm); Quad-Core @ 1.91GHz, 4GB SO-DIMM RAM, 64GB mSATA, and 60W power adaptor
SI-12-DC	Signage Player with Intel® Atom™ E3825 SoC (22nm); Dual-Core @ 1.33GHz, 2GB SO-DIMM RAM, 64GB mSATA, and 60W power adaptor
SI-12-J19	Signage Player with Intel® Celeron® J1900 (22nm); Quad-Core @ 2GHz, 4GB SO-DIMM RAM, 64GB mSATA, and 60W power adaptor (Operating temperature 0°C~45°C)
SI-MK1	Mounting bracket for SI-06/08/12/18/22 series
SI-1U-AD	1U Rackmount kit
HDMI Cable Holder	SI-12 HDMI bracket kit
Power Cable Holder	Bracket w/o rubber for SI-12 power button

Dimensions



ICP Electronics
Australia Pty Ltd

TEL: 02 9457 6011
sales@icp-australia.com.au
www.icp-australia.com.au

