

SI-08

Entry-Level Digital Signage Player

AMD G-Series Dual-Core GX-415GA Fanless Signage Player with 1x Hybrid-DVI (VGA/ DVI/ HDMI with audio)



Specifications

System Mainboard	EB900-16C-SI
CPU Type	AMD G-Series Dual-Core APU (T56N=1.65GHz @ 18W TDP)
CPU Package	413-BGA
Chipset	AMD A50M
Memory	DDR3-1333MHz SO-DIMM memory, Max. 4GB
Graphics	AMD Radeon™ HD6320 series graphics processing system integrated in APU: DirectX 11, Direct Computer 11, Open GL 4.0, OpenCL 1.1, UVD3 Hardware Video Decoder – MPEG2, MPEG4, H.264, VC-1, WMV9, Hybrid-DVI connector supporting CRT, DVI, or HDMI devices
LAN	1x Realtek RTL8111C PCI-E Gigabit LAN controller
Expansion Slots	1x Mini PCI-E (half-size) for Wi-Fi or Bluetooth options
I/O Interface	1x Hybrid-DVI (VGA/ DVI/ HDMI with audio) 2x USB 2.0 ports 1x RJ45 for Gigabit LAN 1x RJ45 for RS232 serial port 1x Microjack audio connector for Line-out
Auto Control and Monitoring	Watchdog Timer: 256 segments, 0, 1, 2...255 (sec/min) On / Off scheduling: 2 time slots
Power Requirement	+12V DC-in
Construction	Aluminum + SGCC
Weight	1.3 kgs (2.86 lbs)
Chassis Color	Black & white
Storage	1x 2.5" HDD drive bay
Power Supply	60W power adaptor
Mounting	Slim design with wall mounting holes
Dimensions	200mm(W) x 150mm(D) x 34.8mm(H) 7.87"(W) x 5.91"(D) x 1.37"(H)
Operating Temperature	0°C~ 40°C (32°F~104°F)
Storage Temperature	-20°C ~ 80°C (-4°F~176°F)
Relative Humidity	5~90% @ 45°C, (non-condensing)
Vibration	SSD: 5 grms / 5~500Hz / random operation HDD: 0.25 grms / 5~500Hz / random operation
Certification	CE, FCC class A & CCC
Operating System	Windows® 7 (32/64-bit), Windows 8.1† (32/64-bit) Window Embedded Standard 7 (32/64-bit) Window Embedded Standard 8 (32/64-bit) Linux Closed Source (64-bit), Linux Open Source (64-bit)

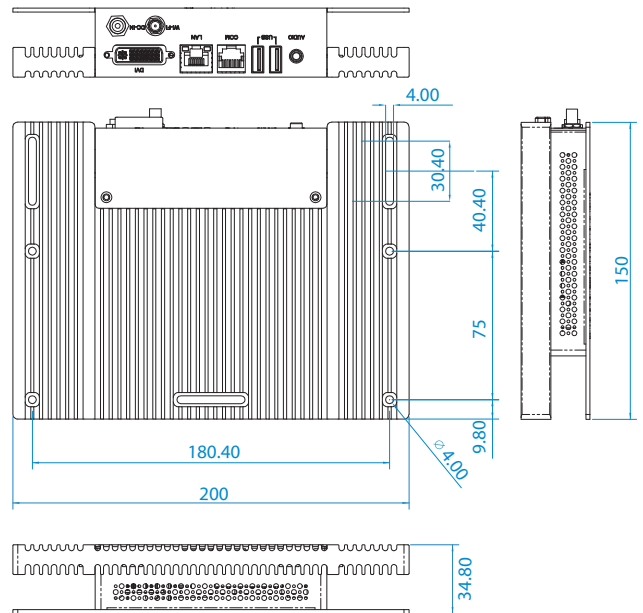
Features

- iSMART - for auto-scheduling and power resume
- AMD Embedded G-Series APU (dual-Core)
- Integrated 80 Core DirectX 11 GPU in processor
- 1x Hybrid-DVI (supports CRT, DVI or HDMI)
- 1x DDR3-1333 SO-DIMM, Max. 4GB
- 1x Mini PCI-E (half-size) for Wi-Fi or Bluetooth options
- One RS232 serial port
- Fanless and compact design

Ordering Information

SI-08	Signage Player with AMD T56N APU 1.65GHz, 2GB RAM, 320GB HDD, 60W power adaptor
SI-MK1	Mounting bracket for SI-06/08/12/18/22 series

Dimensions



ICP Electronics
Australia Pty Ltd

TEL: 02 9457 6011
sales@icp-australia.com.au
www.icp-australia.com.au

