

SA-101-N

Entry-Level Signage Player

i.MX6 Quad Processor-based Fanless Signage Player with
1x Mini-HDMI Output



Features

- Supports Freescale Cortex™-A9 i.MX6 Quad 1GHz Processor
- 1x eMMC NAND flash 8GB on board
- Onboard DDR3L, 2GB, 533MHz, (1066MT/s)
- 1x Mini-HDMI(C-Type)
- 1x USB, 1x MicroSD card slot (up to 32GB)
- Supports 802.11 a/b/g/n
- 5V DC-in power input
- Ruggedized, fanless and compact design

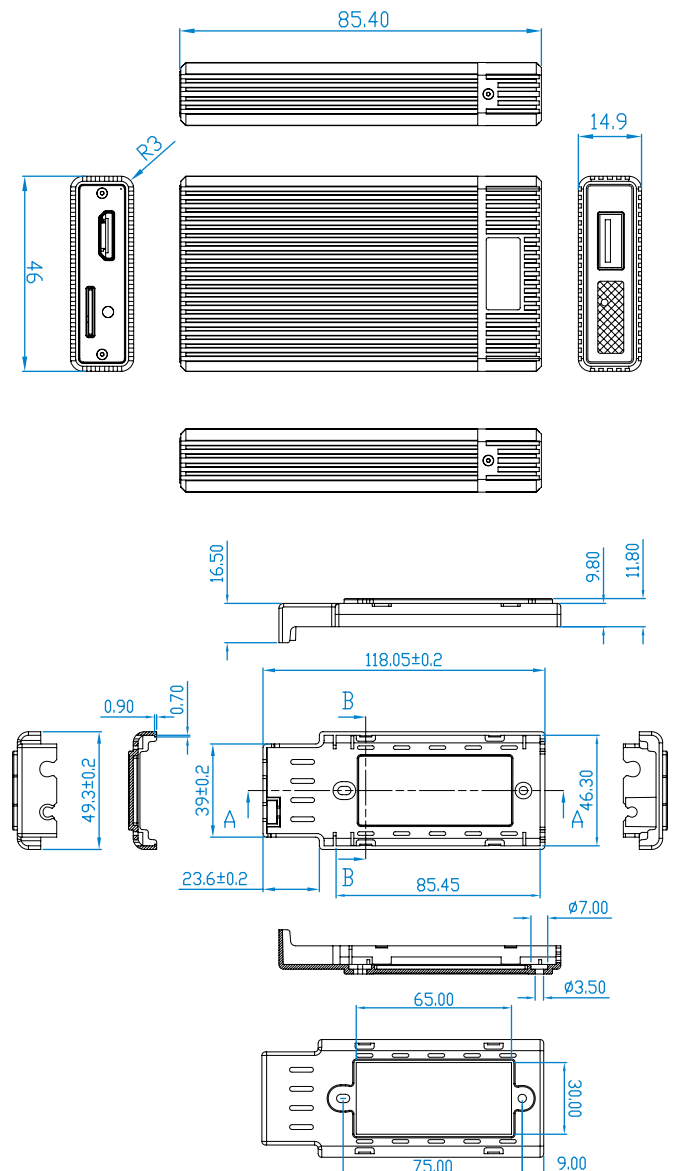
Specifications

System Mainboard	MBD101
CPU	Freescale Cortex™-A9 i.MX6 Quad 1GHz, CPU
Chipset	Integrated
Memory	DDR3 2GB
Graphics	2D+3D (2 /3 GPUs) (35Mtri/s / 200Mtri/s)
I/O Interface	1x USB Host USB 2.0 A-Type 1x Mini-HDMI (C-Type) connector 1x MicroSD card 1x Power jack
Power Requirement	+5V DC-in
Construction	Aluminum
Weight	0.085kgs (0.19lbs)
Chassis Color	Silver
Storage	1x eMMC (8GB) 1x MicroSD card slot (up to 32GB)
Power Supply	10W power adaptor
Mounting	Standard system bracket
Dimensions	85mm(W) x 46mm(D) x 15mm(H) 3.35"(W) x 1.81"(D) x 0.59"(H)
Operating Temperature	0°C~ 50°C (31.9°F~121.9°F)
Storage Temperature	-20°C ~ 70°C (-4°F~157.9°F)
Relative Humidity	10~90% @ 45 °C, (non-condensing)
Vibration	eMMC: 5 grms/ 5~500Hz/ random operation
Certification	CE, FCC class A, VCCI class A, TELEC
Operating System	Android 4.4.2

Ordering Information

SA-101-NQC	ARM-based signage player with CPU IMX6QC 1GHz, eMMC NAND flash 8GB & DDR3L 2GB on board, 10W power adaptor (RoHS).
------------	--

Dimensions



ICP Electronics
Australia Pty Ltd

TEL: 02 9457 6011
sales@icp-australia.com.au
www.icp-australia.com.au

