

# PPC-F Bay Trail Fanless Series

## 5.7"/8"/10.4" Fanless Intel® Bay Trail Solution

### Features

- 5.7", 8" and 10.4" fanless industrial panel PC
- 2.0 GHz Intel® Celeron® J1900 quad-core processor or 1.58 GHz Intel® Celeron® N2807 dual-core processor
- Low power consumption DDR3L memory supported
- IP 65 compliant front panel
- 9 V~30 V wide DC input
- mSATA SSD supported
- Dual GbE for backup
- -10°C~50°C extended operating temperature



### Specifications

| Model            |                                       | PPC-F06B-BT  | PPC-F08B-BT   | PPC-F10B-BT   |
|------------------|---------------------------------------|--|---|---|
| LCD              | LCD Display                           | 5.7" (4:3)   | 8" (4:3)  | 10.4"   |
|                  | Max. Resolution                       | 640 (W) x 480 (H)  | 800 (W) x 600 (H)   | 800 (W) x 600 (H)   |
|                  | Brightness (cd/m²)                    | 550  | 500   | 400   |
|                  | Contrast Ratio                        | 800:1  | 500:1   | 700:1   |
|                  | LCD Color                             | 262K   | 16.2M   | 16.2M   |
|                  | Pixel Pitch (mm)                      | 0.18 (H) x 0.18 (V)  | 0.2025 (H) x 0.0675 (V)   | 0.264 (H) x 0.264 (V)   |
|                  | Viewing Angle (H-V)                   | 160° / 140°  | 140° / 120°   | 160° / 140°   |
|                  | Backlight MTBF (hrs)                  | 50000  | 50000   | 30000   |
| Motherboard      | CPU                                   | Intel® Celeron® N2807 dual-core processor, 1.58GHz   | Intel® Celeron® J1900 quad-core on-board SoC, 2GHz  |   |
|                  | RAM                                   | 2GB DDR3L 1600MHz on-board RAM (system max. 4GB, by MOQ=300pcs)  | 1 x 204-pin DDR3L SO-DIMM slots (max. 8GB)  |   |
| Touch            | Touchscreen & Controller              | 4-wire resistive type flat touch window, PenMount DMC9000  | 5-wire resistive type flat touchscreen, PenMount DMC9000  |   |
|                  | Surface Hardness                      | 3H   | 3H  | 3H  |
| Input Interfaces | I/O Ports & Switches                  | 2 x RJ-45 LAN port<br>1 x RS-232 COM port (DB-9 connector) (RI/5V/12V)<br>1 x RS-422/485<br>2 x USB 3.1 Gen 1 (5Gb/s)<br>2 x USB 2.0<br>1 x 9 V~30 V DC lockable DC jack (2-pin)<br>1 x Audio port (line-out)<br>1 x Power switch<br>1 x Reset button<br>1 x AT/ATX switch | 1 x RS-232 COM port (RJ-45 connector)<br>1 x RS-232/422/485 COM port (DB-9 connector) (RI/5V/12V)<br>2 x USB 3.1 Gen 1 (5Gb/s)<br>2 x GbE LAN<br>1 x Power switch<br>1 x Reset button<br>1 x AT/ATX switch<br>1 x Audio port (line-out)<br>1 x 9 V~30 V lockable power jack | 1 x RS-232 COM port (RJ-45 connector)<br>1 x RS-232/422/485 COM port (DB9 connector) (RI/5V/12V)<br>2 x USB 2.0<br>2 x USB 3.1 Gen 1 (5Gb/s)<br>2 x GbE LAN<br>1 x Power switch<br>1 x Reset button<br>1 x AT/ATX switch<br>1 x Audio port (line-out)<br>1 x 9 V~30 V lockable power jack |
|                  | Expansion                             | 1 x Full-size PCIe Mini slot (mSATA/PCIe/USB signal)   | 1 x Full-size/half-size PCIe Mini slot (mSATA/PCIe/USB signal)<br>1 x Half-size PCIe Mini slot (PCIe signal only)   |   |
| Wireless LAN     |                                       | 802.11 b/g/n (optional)  |   |   |
| Storage          | SSD                                   | mSATA  | mSATA   | mSATA   |
|                  | HDD                                   | N/A  | N/A   | 1 x 2.5" HDD bay  |
| Physical         | Construction Material                 | Aluminum front bezel   |   |   |
|                  | Mounting                              | Stand, panel mount, rack mount, VESA 75x75   | Stand, panel mount, rack mount, VESA 75x75  | Stand, panel mount, rack mount, VESA 75x75/100x100  |
|                  | Enclosure Color                       | Black C  |   |   |
|                  | Dimensions (mm)                       | 136.4 x 178.5 x 56.3   | 182.2 x 222.2 x 44  | 232.4 x 285.2 x 44  |
|                  | Net Weight                            | 0.89 kg  | 1.17 kg   | 1.77 kg   |
|                  | Cut-out Dimensions (mm)               | 157.5 x 115.4  | 207 x 154   | 267.2 x 214.4   |
| Environment      | Operating Temperature (with air flow) | -10°C~50°C (14°F~122°F)  |   |   |
|                  | Storage Temperature                   | -20°C~60°C (-4°F~140°F)  |   |   |
|                  | Humidity                              | 10% to 95% (non-condensing)  |   |   |
|                  | IP Level                              | IP 65 compliant front panel  |   |   |
|                  | Safety and EMC                        | CE & FCC Class A certified   |   |   |
| Power            | Power Adapter                         | P/N: 63040-010036-121-RS<br>36W Power Adapter<br>Input: 90 - 264V AC, 50/60Hz<br>Output: 12V DC  |   |   |
|                  | Power Requirement                     | 9 ~ 30V DC   |   |   |
|                  | Power Consumption                     | 24W  | 28W   | 34W   |

## Ordering Information

| Part No.                | Description  |
|-------------------------|--|
| PPC-F06B-BT-N1/2G/R-R10 | 5.7" 450 cd/m <sup>2</sup> VGA panel PC with Intel® Celeron® processor N2807, TDP 4.3W, 2GB on-board DDR3L RAM, black color, 9-30V DC input, resistive touch window, R10 |
| PPC-F08B-BT-J1/2G/R-R10 | 8" 500 cd/m <sup>2</sup> SVGA panel PC with Intel® Celeron® processor J1900, TDP 10W, 2GB DDR3L RAM, black color, 9-30V DC input, resistive touch window, R10            |
| PPC-F10B-BT-J1/2G/R-R10 | 10.4" 400 cd/m <sup>2</sup> SVGA panel PC with Intel® Celeron® processor J1900, TDP 10W, 2GB DDR3L RAM, black color, 9-30V DC input, resistive touch window, R10         |

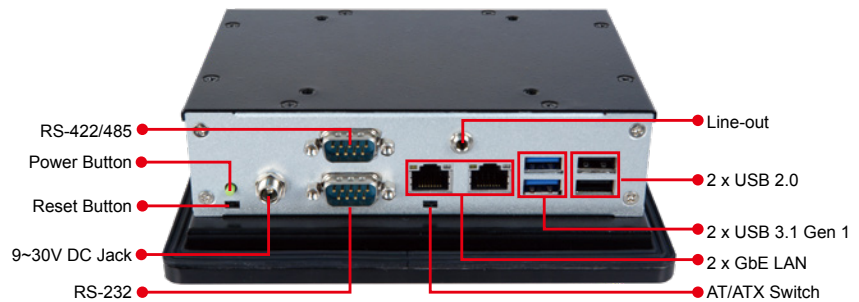
## Options

| Item            | PPC-F06B                  | PPC-F08B                                   | PPC-F10B                                   |
|-----------------|---------------------------|--|--|
| Arm             | ARM-11-RS                 | ARM-11-RS                                  | ARM-11-RS                                  |
| Stand           | STAND-100-RS<br>STAND-B08 | STAND-100-RS<br>STAND-B08<br>STAND-C12-R10 | STAND-100-RS<br>STAND-B08<br>STAND-C12-R10 |
| Wall Mount Kit  | AFLWK-12                  | AFLWK-12                                   | AFLWK-12                                   |
| Panel Mount Kit | FPK-07-R10                | FPK-07-R10                                 | FPK-09-R10                                 |
| Wi-Fi Kit       |                           | EMB-WIFI-KIT01-R20                         |  |

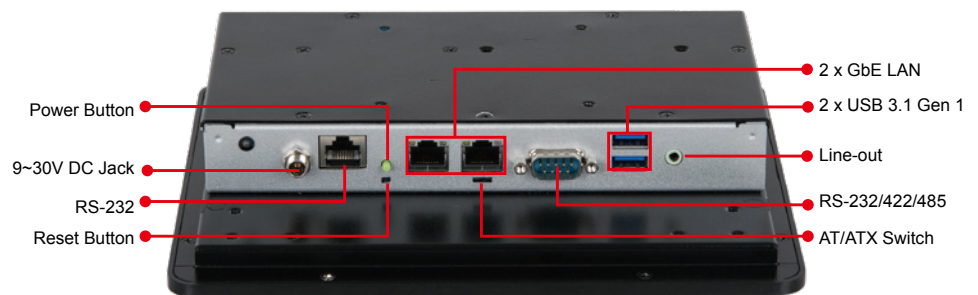
## Packing List

| Item                  | Q'ty | Remark                             |
|-----------------------|------|------------------------------------|
| PPC-FxxB-BTi Panel PC | 1    |                                    |
| Power Cord            | 1    | Part numbers vary by regions       |
| Screw Pack            | 1    | Including necessary screws         |
| Power Adapter         | 1    | 9V~30V DC P/N: 63040-010036-121-RS |

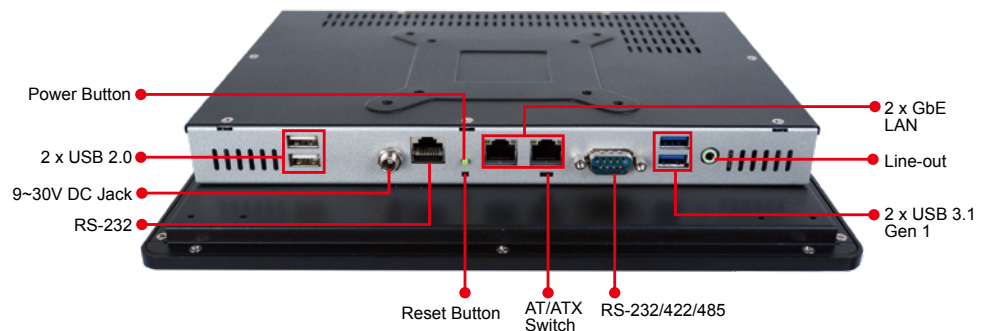
### PPC-F06B Fully Integrated I/O

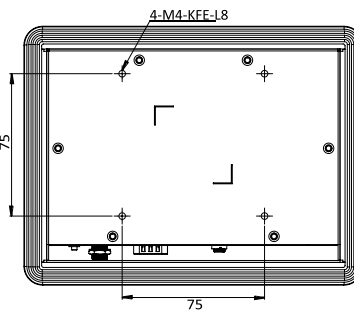
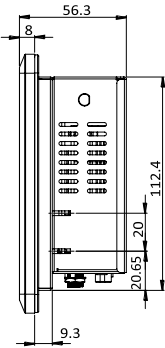
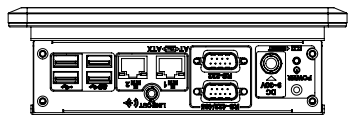
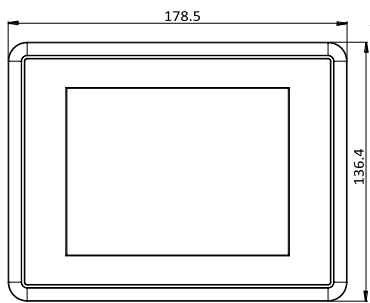
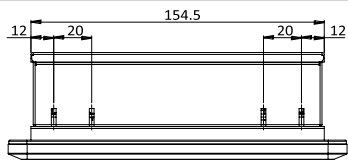


### PPC-F08B Fully Integrated I/O

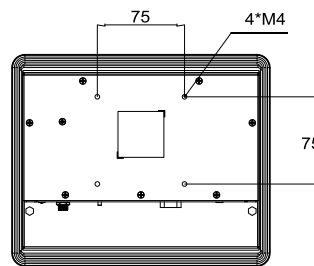
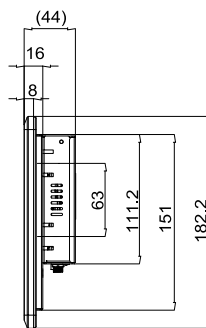
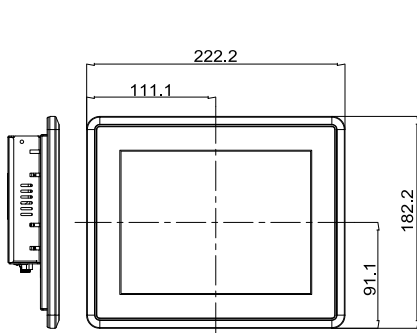
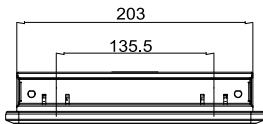
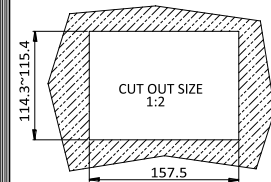


### PPC-F10B Fully Integrated I/O

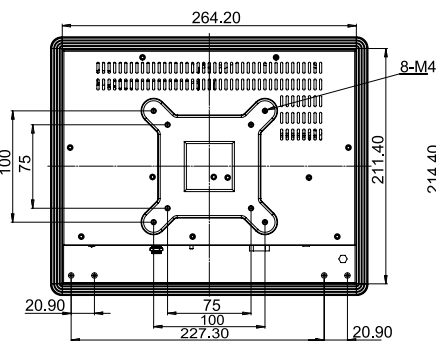
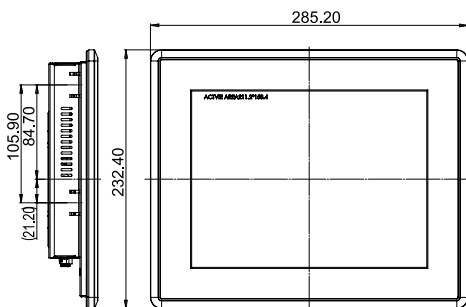
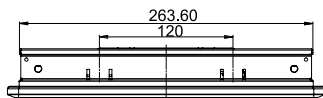
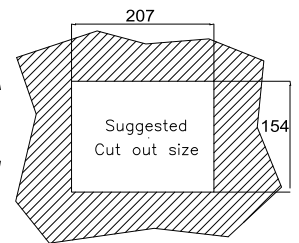




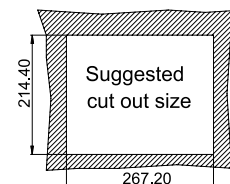
**PPC-F06B-BT**  
 Dimensions (Unit: mm)



**PPC-F08B-BT**  
 Dimensions (Unit: mm)



**PPC-F10B-BT**  
 Dimensions (Unit: mm)



# PPC-F Bay Trail Fanless Series

## 12"/15"/17"/19" Fanless Intel® Bay Trail Solution

### Features

- Support IEI iRIS-2400 remote intelligent solution
- Intel® Celeron® J1900 quad-core SoC
- Robust IP65 aluminum front bezel
- Aesthetic ultra-thin bezel for seamless panel mount installation
- Projected capacitive multi-touch and resistive single touch options
- Dual full-size PCIe Mini card expansion
- 9V~36V DC wide range DC input



### Specifications

| Model                      |                                       | PPC-F12B-BT   | PPC-F15B-BT        | PPC-F17B-BT          | PPC-F19B-BT           |
|----------------------------|---------------------------------------|---|--------------------|----------------------|-----------------------|
| LCD                        | LCD Display                           | 12.1" (4:3)   | 15" (4:3)          | 17" (5:4)            | 19" (5:4)             |
|                            | Max. Resolution                       | 1024 (W) x 768 (H)  | 1024 (W) x 768 (H) | 1280 (W) x 1024 (H)  | 1280 (W) x 1024 (H)   |
|                            | Brightness (cd/m <sup>2</sup> )       | 600   | 450                | 350                  | 350                   |
|                            | Contrast Ratio                        | 700 : 1   | 800 : 1            | 800 : 1              | 1000 : 1              |
|                            | LCD Color                             | 16.2M   | 16.2M              | 16.7M                | 16.7M                 |
|                            | Pixel Pitch (mm)                      | 0.24 x 0.24   | 0.297 x 0.297      | 0.26 x 0.26          | 0.294 x 0.294         |
|                            | Viewing Angle (H-V)                   | 160° / 140°   | 160° / 150°        | 170° / 160°          | 170° / 160°           |
|                            | Backlight MTBF (hrs)                  | 50000   | 70000              | 50000                | 50000                 |
| Motherboard                | CPU                                   | Intel® Celeron® processor J1900 (2M cache, up to 2.42 GHz)  |                    |                      |                       |
|                            | RAM                                   | 2 x 204-pin DDR3L SO-DIMM slot (max. 8GB), pre-installed with 2GB   |                    |                      |                       |
| Touch                      | Touchscreen & Controller              | 5-wire resistive single touch window, 3H/Penmount DMC9000 (Anti-glare Surface)<br>10-point Projected capacitive touch window, 6H/EETI EXC3188 (Anti-UV, Anti-glare Surface)   |                    |                      |                       |
| Input Interfaces           | I/O Ports & Switches                  | 2 x RJ-45 LAN port<br>2 x USB 3.1 Gen 1 (5Gb/s)<br>2 x USB 2.0<br>1 x HDMI<br>2 x RS-232<br>1 x RS-232/422/485<br>1 x VGA<br>1 x 9 V~36 V DC jack (4-pin)<br>1 x 9 V~36 V DC terminal block<br>1 x Line-out (PPC-F15B & PPC-F17B & PPC-F19B only)<br>1 x Power switch |                    |                      |                       |
|                            | Expansion                             | 1 x Full-size PCIe Mini slot ( mSATA/PCIe/USB signal)<br>1 x Full-size/half-size PCIe Mini slot (PCIe/USB signal)   |                    |                      |                       |
|                            | Wireless LAN                          | 802.11 b/g/n (optional)   |                    |                      |                       |
| Drive Bay                  |                                       | 1 x 2.5" HDD/SSD drive bay  |                    |                      |                       |
| Remote Management Solution |                                       | iRIS-2400, QTS-Gateway  |                    |                      |                       |
| Physical                   | Construction Material                 | Aluminum front panel and sheet metal rear cover   |                    |                      |                       |
|                            | Mounting                              | Panel mount, rack mount, VESA 100x100   |                    |                      |                       |
|                            | Enclosure Color                       | Black C   |                    |                      |                       |
|                            | Dimensions (mm) (W x L x D)           | 262.2 x 322.2 x 47.2  | 303 x 378.5 x 46.2 | 341.4 x 408.4 x 51.8 | 372.4 x 447.4 x 52.87 |
|                            | Weight (Net)                          | 3.2 kg  | 4.1 kg             | 5 kg                 | 6.5 kg                |
|                            | Cutout Dimensions (mm)                | 244.8 x 304.8   | 285.6 x 361        | 323 x 390            | 355 x 430             |
| Environment                | Operating Temperature (with air flow) | -10°C~50°C (14°F~122°F)   |                    |                      |                       |
|                            | Storage Temperature                   | -20°C~60°C (-4°F~140°F)   |                    |                      |                       |
|                            | Humidity                              | 10% to 95% (non-condensing)   |                    |                      |                       |
|                            | IP Level                              | IP 65 compliant front panel   |                    |                      |                       |
|                            | Safety and EMC                        | CE & FCC Class A certified  |                    |                      |                       |
| Power                      | Power Adapter                         | P/N: 63040-010060-110-RS<br>60W Power Adapter<br>Input: 90 - 264V AC, 50/60Hz<br>Output: 12V DC   |                    |                      |                       |
|                            | Power Requirement                     | 9 V~36 V DC   |                    |                      |                       |
|                            | Power Consumption                     | 40W   | 41W                | 42W                  | 33W                   |

## Ordering Information

| Part No.                  | Description   |
|---------------------------|---|
| PPC-F12B-BTi-J1/2G/PC-R12 | 12.1" 600 cd/m <sup>2</sup> XGA Panel PC with Intel® Celeron® Processor J1900, TDP 10W, 2GB RAM*1, support iRIS-2400, black color, 9-36V DC input, projected capacitive touch window with AG coating, R12 |
| PPC-F12B-BTi-J1/2G/R-R12  | 12.1" 600 cd/m <sup>2</sup> XGA Panel PC with Intel® Celeron® Processor J1900, TDP 10W, 2GB RAM*1, support iRIS-2400, black color, 9-36V DC input, resistive touch window with AG coating, R12            |
| PPC-F15B-BTi-J1/2G/PC-R22 | 15" 450 cd/m <sup>2</sup> XGA Panel PC with Intel® Celeron® Processor J1900, TDP 10W, 2GB RAM*1, support iRIS-2400, black color, 9-36V DC input, projected capacitive touch with AG coating, R22          |
| PPC-F15B-BTi-J1/2G/R-R22  | 15" 450 cd/m <sup>2</sup> XGA Panel PC with Intel® Celeron® Processor J1900, TDP 10W, 2GB RAM*1, support iRIS-2400, black color, 9-36V DC input, resistive touch window with AG coating, R22              |
| PPC-F17B-BTi-J1/2G/PC-R12 | 17" 350 cd/m <sup>2</sup> SXGA Panel PC with Intel® Celeron® Processor J1900, TDP 10W, 2GB RAM*1, support iRIS-2400, black color, 9-36V DC input, projected capacitive touch window with AG coating, R12  |
| PPC-F17B-BTi-J1/2G/R-R12  | 17" 350 cd/m <sup>2</sup> SXGA Panel PC with Intel® Celeron® Processor J1900, TDP 10W, 2GB RAM*1, support iRIS-2400, black color, 9-36V DC input, resistive touch window with AG coating, R12             |
| PPC-F19B-BTi-J1/2G/PC-R11 | 19" 350 cd/m <sup>2</sup> SXGA Panel PC with Intel® Celeron® Processor J1900, TDP 10W, 2GB RAM*1, support iRIS-2400, black color, 9-36V DC input, AG projected capacitive touch window, R11               |
| PPC-F19B-BTi-J1/2G/R-R11  | 19" 350 cd/m <sup>2</sup> SXGA Panel PC with Intel® Celeron® Processor J1900, TDP 10W, 2GB RAM*1, support iRIS-2400, black color, 9-36V DC input, AG resistive touch window, R11                          |



## QTS-Gateway

| Part No.                     | Description   |
|------------------------------|---|
| PPC-F12B-BT-QGW-J1/4G/PC-R11 | 12" 600 cd/m <sup>2</sup> XGA Panel PC with Intel® Celeron® Processor J1900, TDP 10W, 2GB RAM*2, black color, with QTS-Gateway, 9-36V DC input, projected capacitive touch window, R11  |
| PPC-F15B-BT-QGW-J1/4G/PC-R11 | 15" 450 cd/m <sup>2</sup> XGA Panel PC with Intel® Celeron® Processor J1900, TDP 10W, 2GB RAM*2, black color, with QTS-Gateway, 9-36V DC input, projected capacitive touch window, R11  |
| PPC-F17B-BT-QGW-J1/4G/PC-R11 | 17" 350 cd/m <sup>2</sup> SXGA Panel PC with Intel® Celeron® Processor J1900, TDP 10W, 2GB RAM*2, black color, with QTS-Gateway, 9-36V DC input, projected capacitive touch window, R11 |

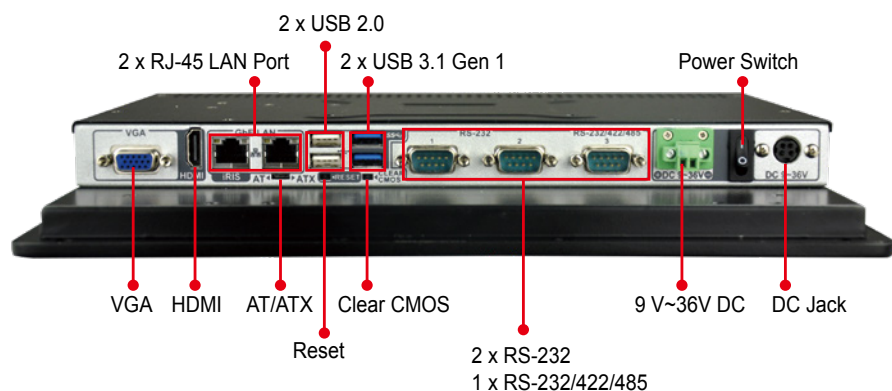
## Options

| Item                                     | PPC-F12B                      | PPC-F15B                      | PPC-F17B                      | PPC-F19B                      |
|--|-------------------------------|-------------------------------|-------------------------------|-------------------------------|
| Arm                                      | ARM-31-RS                     |                               |                               |                               |
| Stand                                    | STAND-C12-R10<br>STAND-A12-RS | STAND-C19-R10<br>STAND-A19-RS | STAND-C19-R10<br>STAND-A19-RS | STAND-C19-R10<br>STAND-A19-RS |
| Wall Mount Kit                           | WK-190MS-R10                  |                               |                               |                               |
| Panel Mount Kit                          | FPK-09-R10                    | FPK-10-R10                    | FPK-10-R10                    | FPK-11-R10                    |
| Rack Mount Kit                           | FRK12-R10                     | FRK15-R10                     | FRK17-R10                     | FRK-19P-R10                   |
| Wi-Fi Kit                                | EMB-WIFI-KIT01-R20            | EMB-WIFI-KIT11-R20            | EMB-WIFI-KIT11-R20            | EMB-WIFI-KIT11-R20            |
| iRIS (IEI Remote Intelligent System) Kit | iRIS-2400-RS                  |                               |                               |                               |

## Packing List

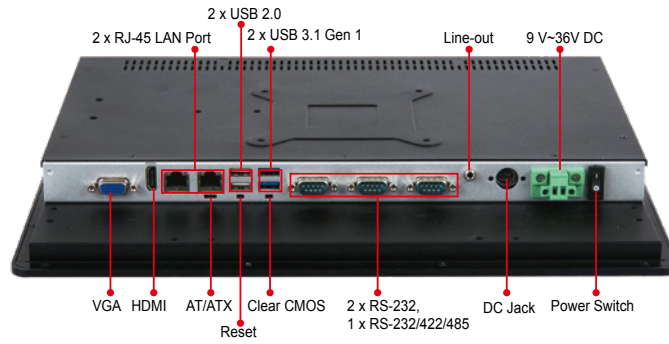
| Item                  | Q'ty | Remark                               |
|-----------------------|------|--------------------------------------|
| PPC-FxxB-BTi Panel PC | 1    |                                      |
| Power Cord            | 1    | Part numbers vary by regions         |
| Screw Pack            | 1    | Including necessary screws           |
| Power Adapter         | 1    | 9V~36V DC( P/N: 63040-010060-110-RS) |

## PPC-F12B Fully Integrated I/O

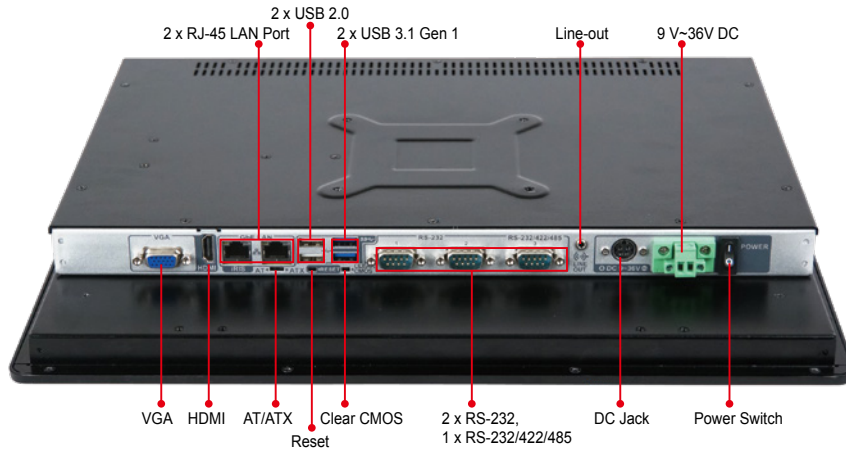




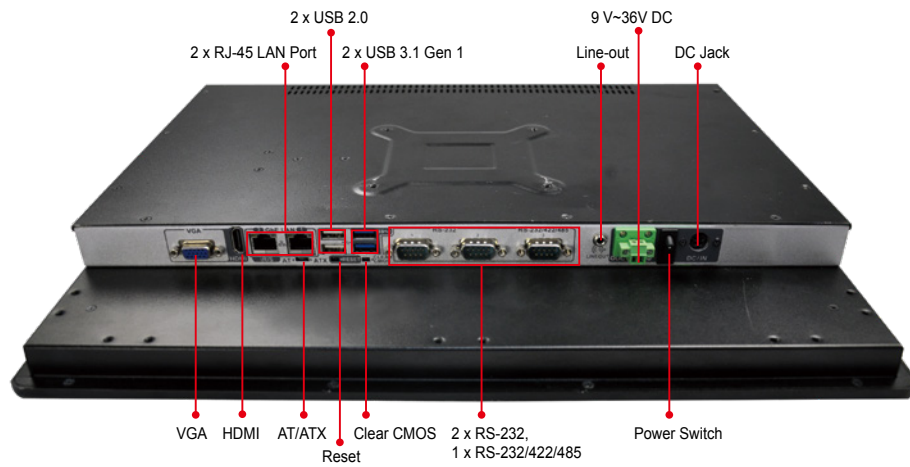
**PPC-F15B**  
Fully Integrated I/O



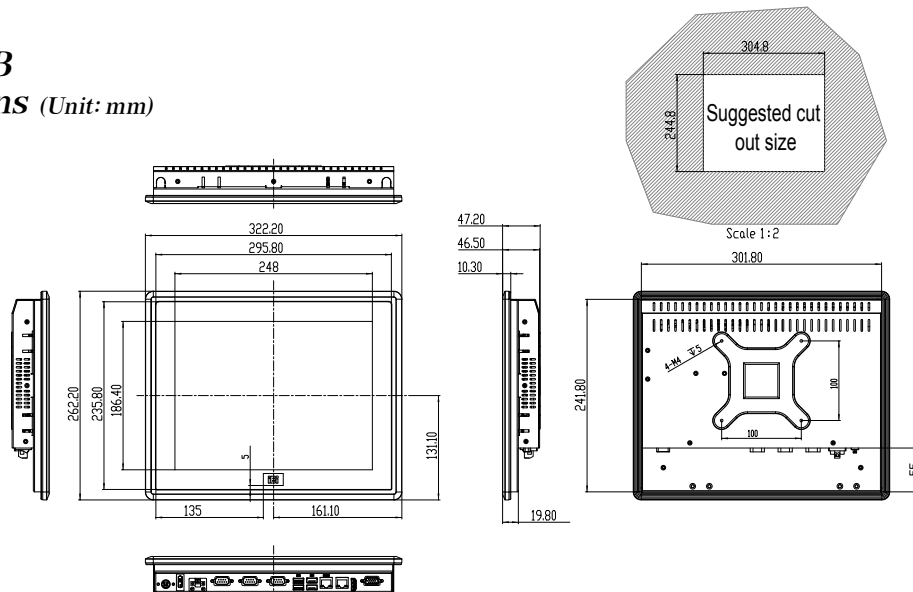
**PPC-F17B**  
Fully Integrated I/O



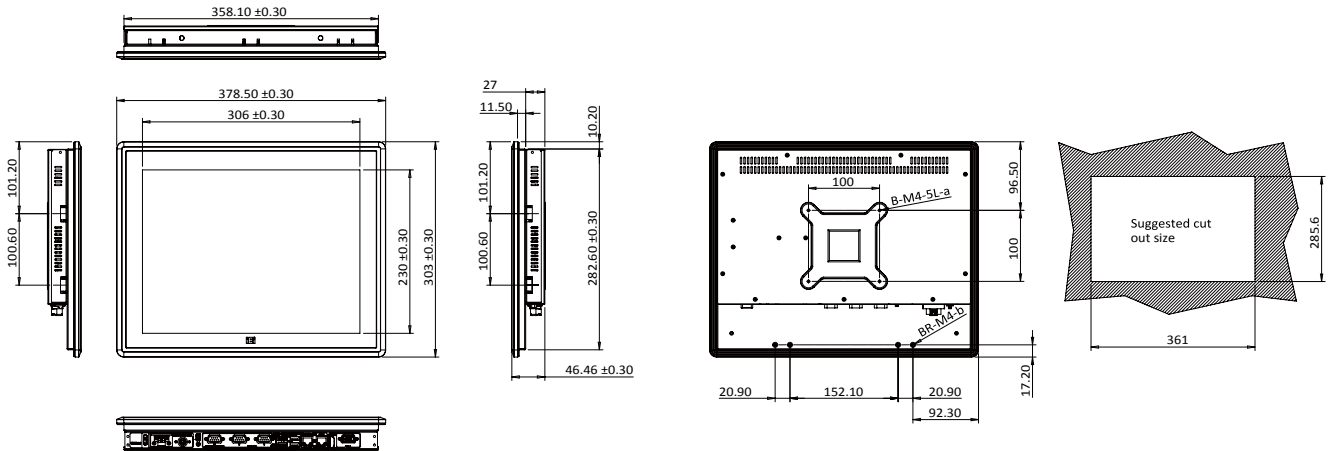
**PPC-F19B**  
Fully Integrated I/O



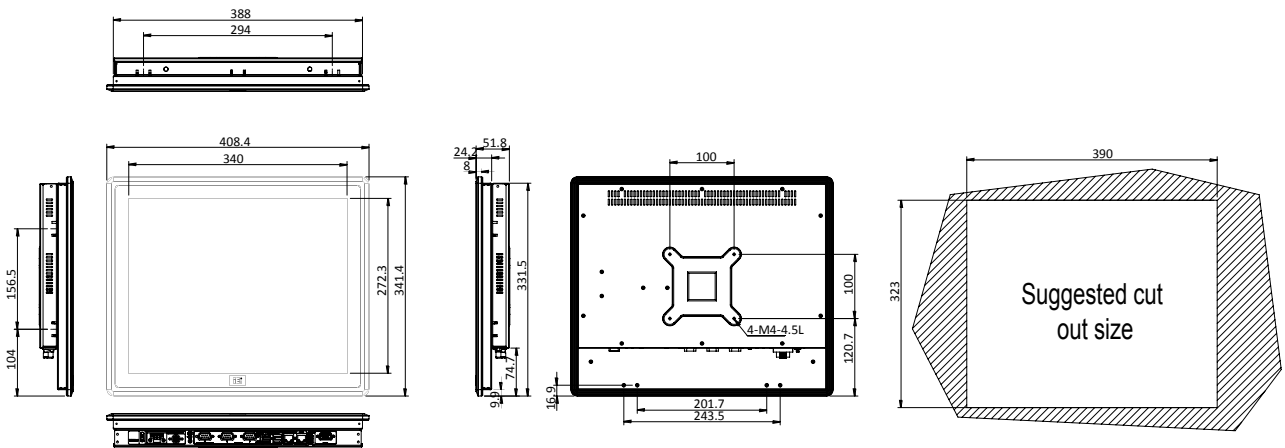
**PPC-F12B**  
Dimensions (Unit: mm)



**PPC-F15B Dimensions (Unit: mm)**



**PPC-F17B Dimensions (Unit: mm)**



**PPC-F19B Dimensions (Unit: mm)**

